

2-154719-0 ✓ ACTIVE

Positive Lock | Mark I, Positive Lock 250

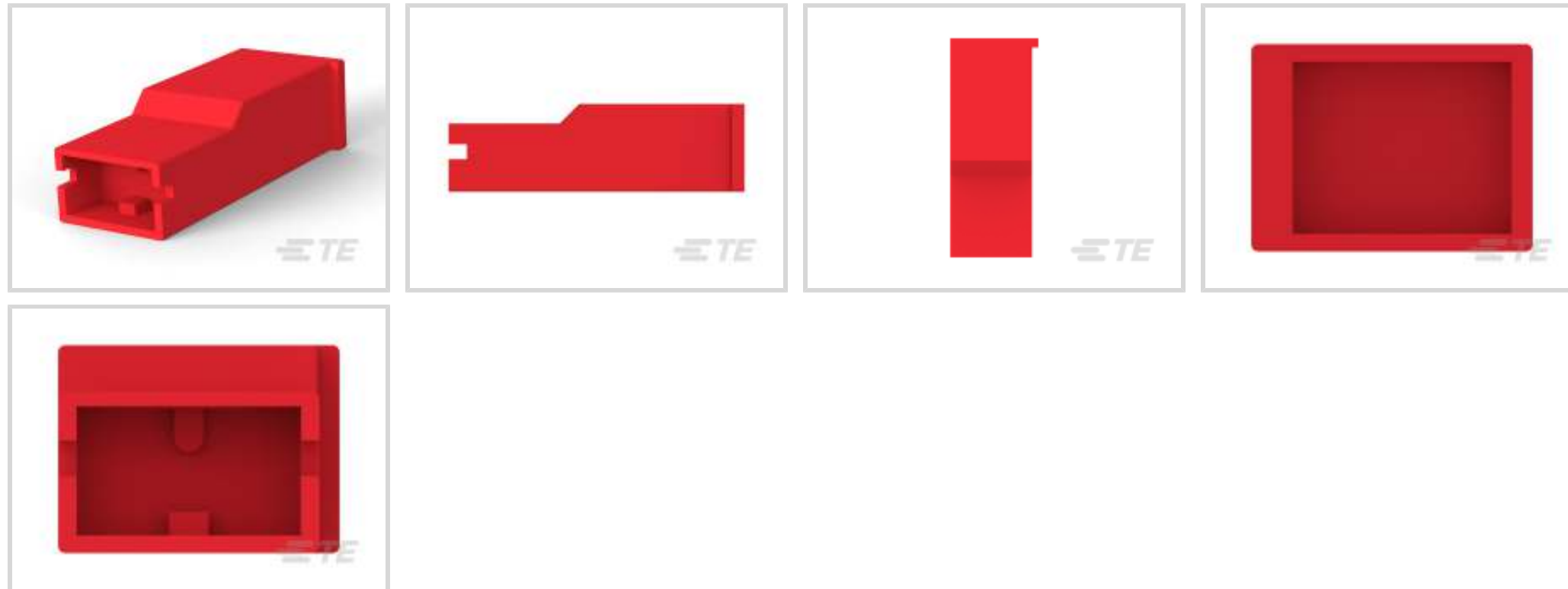
TE Internal #: 2-154719-0

Crimp Terminal Housings, Receptacle, Receptacle, 1 Position,
Straight, UL 94V-0, Red, Polyamide 6.6 GF, Mating Alignment,
Positive Lock 250

[View on TE.com >](#)



Terminals & Splices > Terminal Housings, Insulation Sleeves & Blocks > Crimp Terminal Housings



Terminal Type: **Receptacle**

Connector & Housing Type: **Receptacle**

Number of Positions: **1**

Terminal Orientation: **Straight**

UL Flammability Rating: **UL 94V-0**

Features

Product Type Features

Sealable	No
Connector System	Wire-to-Board, Wire-to-Wire
Connector & Contact Terminates To	Wire & Cable
Connector & Housing Type	Receptacle

Configuration Features

Number of Positions	1
---------------------	---

Body Features

Primary Product Color	Red
-----------------------	-----

Contact Features

Terminal Type	Receptacle
Terminal Orientation	Straight
Contact Mating Retention	Without

Mechanical Attachment



Mating Alignment Type	Polarization
Mating Alignment	With
Connector Mounting Type	Cable Mount (Free-Hanging)

Housing Features

Housing Material	Polyamide 6.6 GF
------------------	------------------

Dimensions

Product Width	7.19 mm
Product Length	24.26 mm[.96 in]

Usage Conditions

Operating Temperature Range	-40 – 105 °C[-40 – 221 °F]
-----------------------------	----------------------------

Industry Standards

UL Flammability Rating	UL 94V-0
------------------------	----------

Packaging Features

Packaging Quantity	1000
--------------------	------

Product Compliance

[For compliance documentation, visit the product page on TE.com>](#)

EU RoHS Directive 2011/65/EU	Compliant
EU ELV Directive 2000/53/EC	Compliant
China RoHS 2 Directive MIIT Order No 32, 2016	No Restricted Materials Above Threshold
EU REACH Regulation (EC) No. 1907/2006	Current ECHA Candidate List: JUNE 2023 (235) Candidate List Declared Against: JUNE 2023 (235) Does not contain REACH SVHC
Halogen Content	Not Low Halogen - contains Br or Cl > 900 ppm.
Solder Process Capability	Not applicable for solder process capability

Product Compliance Disclaimer

This information is provided based on reasonable inquiry of our suppliers and represents our current actual knowledge based on the information they provided. This information is subject to change. The part numbers that TE has identified as EU RoHS compliant have a maximum concentration of 0.1% by weight in homogenous materials for lead, hexavalent chromium, mercury, PBB, PBDE, DBP, BBP, DEHP, DIBP, and 0.01% for cadmium, or qualify for an exemption to these limits as defined in the Annexes of Directive 2011/65/EU (RoHS2). Finished electrical and electronic equipment products will be CE marked as required by Directive 2011/65/EU. Components may not be CE marked. Additionally, the part numbers that TE has identified as EU ELV compliant have a maximum concentration of 0.1% by weight in homogenous materials for lead, hexavalent chromium, and mercury, and 0.01% for cadmium, or qualify for an exemption to these limits as defined in the Annexes of Directive 2000/53/EC (ELV). Regarding the REACH Regulation, the information TE provides

on SVHC in articles for this part number is based on the latest European Chemicals Agency (ECHA) 'Guidance on requirements for substances in articles' posted at this URL: <https://echa.europa.eu/guidance-documents/guidance-on-reach>

Compatible Parts



TE Part # 926330-1
PL 250 REC HSG 6P NYLON BLACK



TE Part # 154718-3
PL 250 REC 0.7-2.0 MM2 0.406 TPBR



TE Part # 63812-1
250 PL MKI REC. 18-14AWG TPBR



TE Part # 154717-3
PL 250 REC TERMINAL 14-11 AWG TPBR



TE Part # 1-160759-1
250 PL MKI REC. 20-15AWG PTBR



TE Part # 927076-1
PL HOUSING 0.6 PA 6.6 + PE-GF13 BLACK




TE Part # 790319-3
250 PL MKI REC. 12-10AWG PTBR

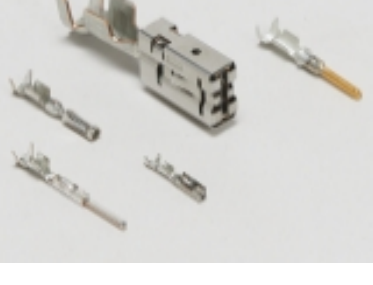


TE Part # 926330-3
6P POS-LOCK BU GEH


Also in the Series | Mark I




Automotive Housings(1)




Automotive Terminals(11)



Crimp Terminal Housings(24)



Insertion & Extraction Tools(1)



Quick Disconnects(29)

Also in the Series | Positive Lock 250



Automotive Terminals(1)



Crimp Terminal Housings(193)



Insertion & Extraction Tools(3)



Insulation Boots & Sleeves(4)

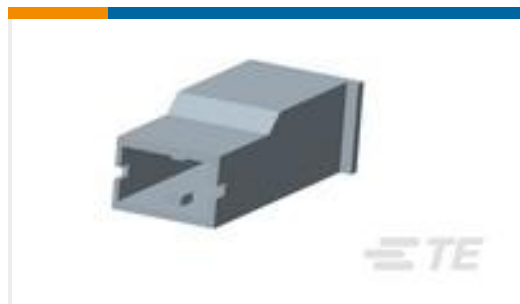


Quick Disconnects(186)

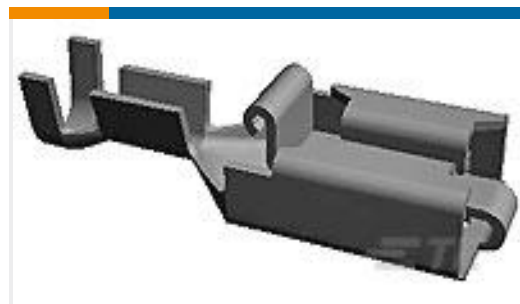
Customers Also Bought



TE Part #DT06-12SB-P012
PLG, 12P, BLK, N, SEAL RET, ENH
KEY, B



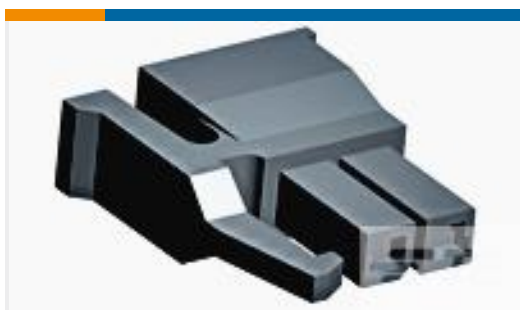
TE Part #1-154719-0
PL 250 REC HSG 1P NYLON NAT



TE Part #154717-3
PL 250 REC TERMINAL 14-11 AWG
TPBR



TE Part #171637-1
MINI U-M-N-L SOCKET CONTACT



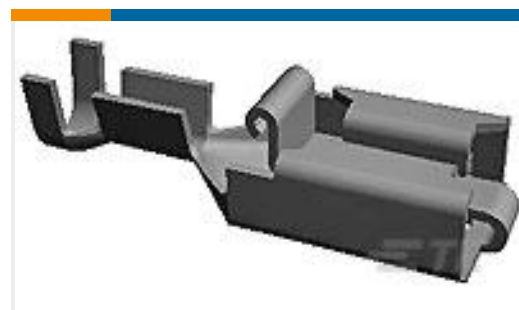
TE Part #2008570-2
2 POS MICRO MNL, SIDE LATCH, B



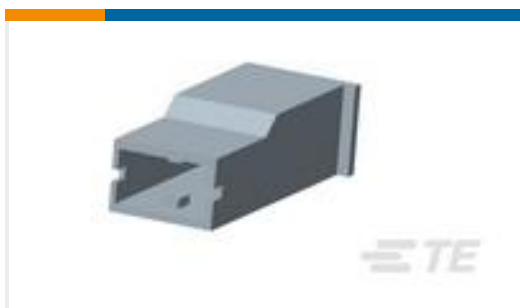
TE Part #4-154719-0
POSITIVE LOCK (PL) RECEPTACLE



TE Part #1-1355122-2
SHIELD, 60POSN. RECEPTACLE HOU



TE Part #790319-3
250 PL MKI REC. 12-10AWG PTBR



TE Part #7-154719-0
POS-LOCK ISO-HUELSE

Documents



Product Drawings

[PL 250 REC HSG 1P NYLON RED](#)

English

CAD Files

[3D PDF](#)

3D

Customer View Model

[ENG_CVM_CVM_2-154719-0_AV.2d_dxf.zip](#)

English

Customer View Model

[ENG_CVM_CVM_2-154719-0_AV.3d_igs.zip](#)

English

Customer View Model

[ENG_CVM_CVM_2-154719-0_AV.3d_stp.zip](#)

English

By downloading the CAD file I accept and agree to the [Terms and Conditions](#) of use.

Product Specifications

[Application Specification](#)

English

Product Environmental Compliance

[Product Compliance](#)

English

[Product Compliance](#)

English

Instruction Sheets

[Instruction Sheet \(U.S.\)](#)

English

Agency Approvals

[UL Report](#)

English