

# SACC-E-M12FS-4PL-M20 - Panel feed-through



1139803

<https://www.phoenixcontact.com/us/products/1139803>

Please be informed that the data shown in this PDF document is generated from our online catalog. Please find the complete data in the user documentation. Our general terms of use for downloads are valid.



Panel feed-through, Universal, 4-position, unshielded, Socket straight M12, A, Front mounting, M20 x 1,5, Push-lock connection, knurl material: Brass, nickel-plated, Flat nut included

## Your advantages

- Easy and tool-free connection with Push-Lock connection
- Easy assignment of individual conductors with color coding and numerical marking of contact holder levers
- Conveniently connect stranded conductors, thanks to lever
- Reliable and quick connection of electric cables

## Commercial data

Item number	1139803
Packing unit	1 pc
Minimum order quantity	1 pc
Sales key	BF33
Product key	BF2CEA
GTIN	4063151223526
Weight per piece (including packing)	30.7 g
Weight per piece (excluding packing)	30.7 g
Customs tariff number	85366990
Country of origin	DE

# SACC-E-M12FS-4PL-M20 - Panel feed-through



1139803

<https://www.phoenixcontact.com/us/products/1139803>

## Technical data

### Notes

General	<b>NOTE:</b> Observe the permissible bending radii when laying conductors, since the degree of protection may be put in jeopardy if the bending forces are too high. Alleviate mechanical loads upstream of the connector, e.g. by using cable ties.
General	The electrical and mechanical data specified assume that the connector pair is correctly locked and mounted. If the connector is unlocked and if there is a danger of contamination, the connector must be sealed using a protective cap > IP54. Influences arising from litz wires, cables or PCB assembly must also be taken into consideration.

### Mounting

Mounting type	Front mounting M20 x 1,5
Assembly instructions	The wires can be connected both with ferrules and without ferrules
Connection method	Push-lock connection

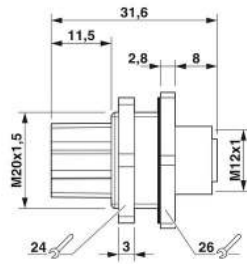
### Product properties

Product type	Circular connectors (device side)
Sensor type	Universal
Number of positions	4
No. of cable outlets	1
Shielded	no
Coding	A

### Insulation characteristics

Overvoltage category	II
Degree of pollution	3

### Dimensions

Dimensional drawing	
Length	19.2 mm

### Housing

Diameter housing	29 mm
------------------	-------

### Material specifications

# SACC-E-M12FS-4PL-M20 - Panel feed-through



1139803

<https://www.phoenixcontact.com/us/products/1139803>

Material	PA 6
Flammability rating according to UL 94	V0
Seal material	NBR
Contact material	CuSn
Contact surface material	Ni/Au
Contact carrier material	PA 6.6
Material for screw connection	Brass, nickel-plated

## Electrical properties

Rated surge voltage	1.5 kV
Contact resistance	$\leq 5 \text{ m}\Omega$
Insulation resistance	$\geq 100 \text{ M}\Omega$
Nominal voltage $U_N$	48 V AC
	60 V DC
Nominal current $I_N$	4 A (2 A when using 0.14 mm <sup>2</sup> conductors)

## Connection data

### Conductor connection

Connection method	Push-lock connection
Contact connection type	Socket
Conductor cross section flexible	0.14 mm <sup>2</sup> ... 0.75 mm <sup>2</sup>
Cross section AWG	26 ... 18
Tightening torque	0.4 Nm

## Mechanical properties

### Mechanical data

Insertion/withdrawal cycles	$\geq 100$
-----------------------------	------------

## Connector

### Connection 1

Head design	Socket
Head cable outlet	straight
Head thread type	M12
Coding	A

## Cable/line

Signal type/category	Universal
Stripping length of the individual wire	7 mm

## Environmental and real-life conditions

### Ambient conditions

Degree of protection	IP67
Ambient temperature (operation)	-40 °C ... 85 °C (Plug / socket)

# SACC-E-M12FS-4PL-M20 - Panel feed-through



1139803

<https://www.phoenixcontact.com/us/products/1139803>

## Standards and regulations

### M12

Standard designation	M12 connector
Standards/specifications	IEC 61076-2-101

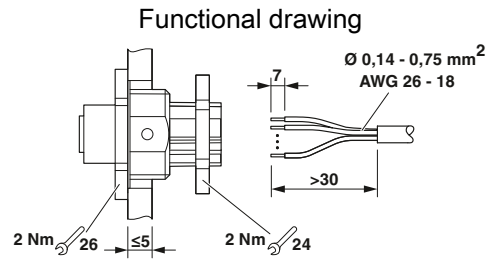
# SACC-E-M12FS-4PL-M20 - Panel feed-through



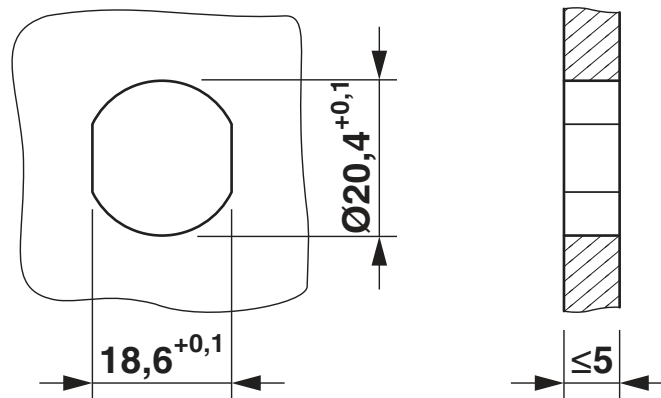
1139803

<https://www.phoenixcontact.com/us/products/1139803>

## Drawings



Drilling plan/solder pad geometry



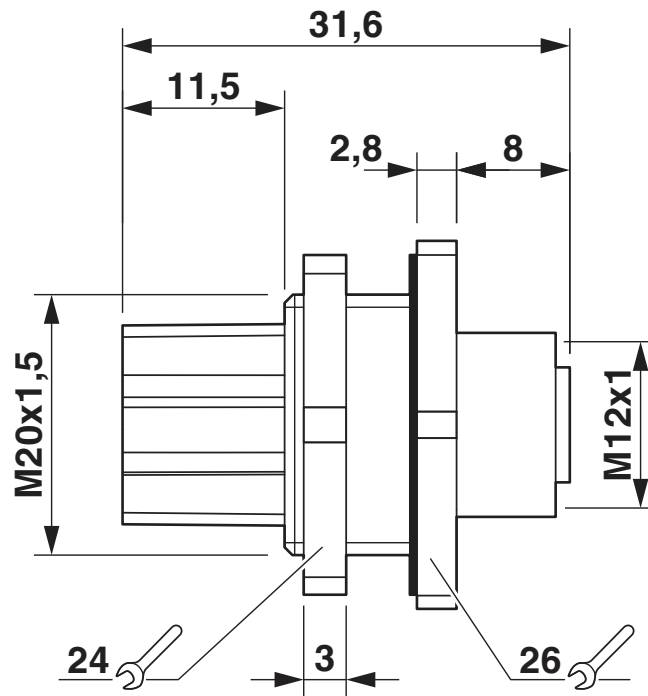
Housing cutout for M20 fastening thread, mounting panel with thread

# SACC-E-M12FS-4PL-M20 - Panel feed-through

1139803

<https://www.phoenixcontact.com/us/products/1139803>

Dimensional drawing



M12 flush-type socket

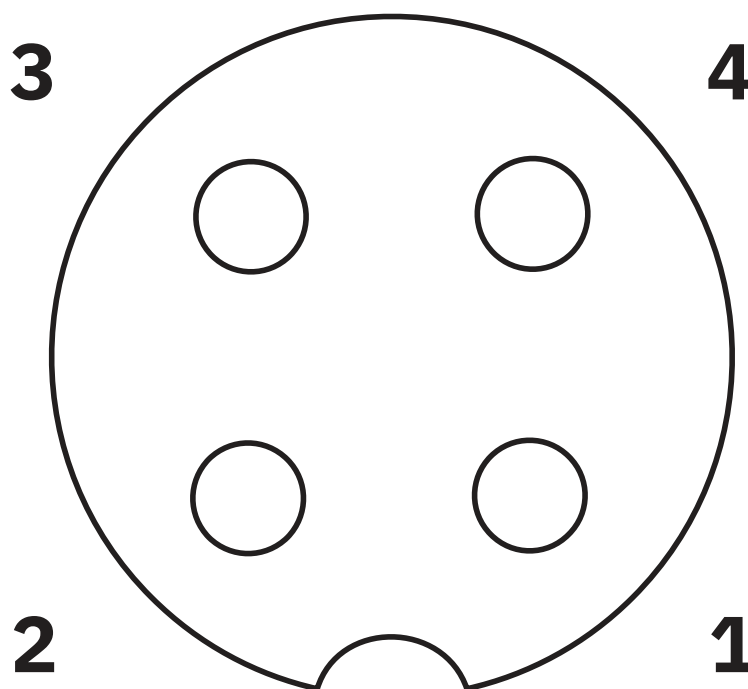
# SACC-E-M12FS-4PL-M20 - Panel feed-through

1139803

<https://www.phoenixcontact.com/us/products/1139803>



Schematic diagram



Pin assignment M12 socket, 4-pos., A-coded, view female side

# SACC-E-M12FS-4PL-M20 - Panel feed-through



1139803

<https://www.phoenixcontact.com/us/products/1139803>

## Approvals

To download certificates, visit the product detail page: <https://www.phoenixcontact.com/us/products/1139803>



**UL Listed**

Approval ID: E221474



**cUL Listed**

Approval ID: E221474

**cULus Listed**



# SACC-E-M12FS-4PL-M20 - Panel feed-through



1139803

<https://www.phoenixcontact.com/us/products/1139803>

## Classifications

### ECLASS

ECLASS-11.0	27440109
ECLASS-12.0	27440109
ECLASS-13.0	27440109

### ETIM

ETIM 8.0	EC003569
----------	----------

### UNSPSC

UNSPSC 21.0	39121400
-------------	----------

# SACC-E-M12FS-4PL-M20 - Panel feed-through



1139803

<https://www.phoenixcontact.com/us/products/1139803>

## Environmental product compliance

China RoHS	Environmentally friendly use period: unlimited = EFUP-e
	No hazardous substances above threshold values

# SACC-E-M12FS-4PL-M20 - Panel feed-through



1139803

<https://www.phoenixcontact.com/us/products/1139803>

## Accessories

### SACC-M12MS-4PL M - Connector

1424657

<https://www.phoenixcontact.com/us/products/1424657>



Connector, Universal, 4-position, unshielded, Plug straight M12, A, Push-lock spring connection, knurl material: Zinc die-cast, nickel-plated, external cable diameter 4 mm ... 8 mm

---

### SACC-M12MR-4PL M - Connector

1424654

<https://www.phoenixcontact.com/us/products/1424654>



Connector, Universal, 4-position, unshielded, Plug angled M12, A, Push-lock spring connection, knurl material: Zinc die-cast, nickel-plated, external cable diameter 4 mm ... 8 mm

# SACC-E-M12FS-4PL-M20 - Panel feed-through



1139803

<https://www.phoenixcontact.com/us/products/1139803>

## PROT-M12 - Screw plug

1680539

<https://www.phoenixcontact.com/us/products/1680539>



An M12 screw plug for the unoccupied M12 sockets of the sensor/actuator cable, boxes and flush-type connectors

---

## PROT-M12 SH - Screw plug

1503302

<https://www.phoenixcontact.com/us/products/1503302>



An M12 screw plug for the unoccupied M12 sockets of the shielded sensor/actuator cable, boxes and flush-type connectors

# SACC-E-M12FS-4PL-M20 - Panel feed-through



1139803

<https://www.phoenixcontact.com/us/products/1139803>

## SAC-4P-100,0-PUR/0,25 - Cable reel

1501692

<https://www.phoenixcontact.com/us/products/1501692>



By the meter, Cable reel, PUR halogen-free, black-gray RAL 7021, 4-wire, color single wire: brown, white, blue, black, cable length: 100 m

---

## SAC-4P-100,0-PUR/0,34 - Cable reel

1501663

<https://www.phoenixcontact.com/us/products/1501663>



By the meter, Cable reel, PUR halogen-free, black-gray RAL 7021, 4-wire, color single wire: brown, white, blue, black, cable length: 100 m

# SACC-E-M12FS-4PL-M20 - Panel feed-through

1139803

<https://www.phoenixcontact.com/us/products/1139803>

## AI 0,25- 6 YE - Ferrule

3203024

<https://www.phoenixcontact.com/us/products/3203024>



Ferrule, sleeve length: 6 mm, length: 10.5 mm, color: yellow

---

## A 0,25- 7 - Ferrule

3202478

<https://www.phoenixcontact.com/us/products/3202478>



Ferrule, length: 7 mm, color: silver

# SACC-E-M12FS-4PL-M20 - Panel feed-through



1139803

<https://www.phoenixcontact.com/us/products/1139803>

## A 0,34- 7 - Ferrule

3009202

<https://www.phoenixcontact.com/us/products/3009202>



Ferrule, length: 7 mm, color: silver

---

## A 0,5 - 6 - Ferrule

3200218

<https://www.phoenixcontact.com/us/products/3200218>



Ferrule, length: 6 mm, color: silver

# SACC-E-M12FS-4PL-M20 - Panel feed-through



1139803

<https://www.phoenixcontact.com/us/products/1139803>

## AI 0,5 - 6 WH - Ferrule

3200687

<https://www.phoenixcontact.com/us/products/3200687>



Ferrule, sleeve length: 6 mm, length: 12 mm, color: white

---

## WIREFOX 2,5 - Stripping tool

1212368

<https://www.phoenixcontact.com/us/products/1212368>



Stripping tool, for conductors and cables with a conductor cross section from 0.08 to 2.5 mm<sup>2</sup>, self-adjusting, stripping length adjustable up to 15 mm, cutting capacity up to 6 mm<sup>2</sup> stranded/1.5 mm<sup>2</sup> solid



# SACC-E-M12FS-4PL-M20 - Panel feed-through



1139803

<https://www.phoenixcontact.com/us/products/1139803>

## WIREFOX SAC - Stripping tool

1212623

<https://www.phoenixcontact.com/us/products/1212623>



Stripping pliers, for halogen-free sensor/actuator cables (SAC cables), with PUR and PVC insulation, from  $\varnothing$  of 4.4 to 7 mm, any stripping length

---

## CRIMPFOX 6H - Crimping pliers

1212046

<https://www.phoenixcontact.com/us/products/1212046>



Crimping pliers, for ferrules without insulating collar according to DIN 46228 Part 1 and ferrules with insulating collar according to DIN 46228 Part 4, 0.14 mm<sup>2</sup> ... 6 mm<sup>2</sup>, unlockable pressure lock, lateral entry

---

Phoenix Contact 2023 © - all rights reserved  
<https://www.phoenixcontact.com>

Phoenix Contact USA  
586 Fulling Mill Road  
Middletown, PA 17057, United States  
(+717) 944-1300  
[info@phoenixcon.com](mailto:info@phoenixcon.com)