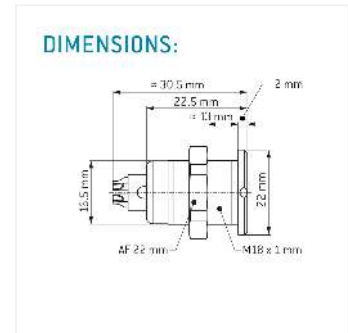
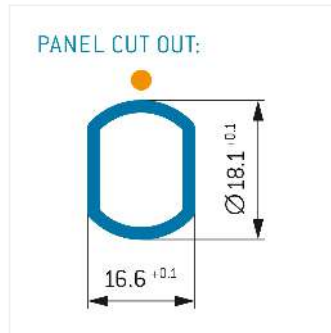
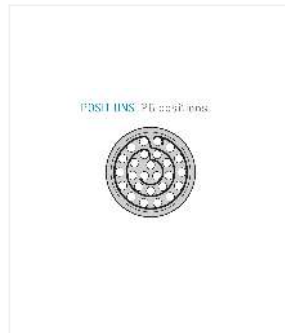
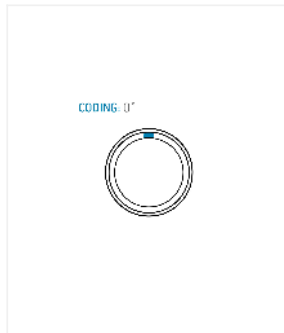


General information

Part number	G13LOC-P26NFC0-0000
Termination	crimp
Size	3
Locking principle	break , push
Coding	0_key



Contact insert description

Number of contacts	26
Contact type	sockets
Contact diameter	07mm
Insulator material	peek
Wire cross section	28-32_awg
Termination	crimp

reverse_gender_on_request

Technical information

Max. creepage and air clearance distance	07_mm	11_mm
Nominal current single contact	06_a	iec_60512_5_2
Test voltage	1_kv_ac	sae_13441

safety_text

Mechanical and environmental data

Degree of protection*	ip50
Operating temperature	40_120_c
Mating cycles	5000

mated_unmated

Material and surface treatments

Housing	m_chrome
Contact	cu_alloy_gold

safety_text_2
ul_text
illustrative_text