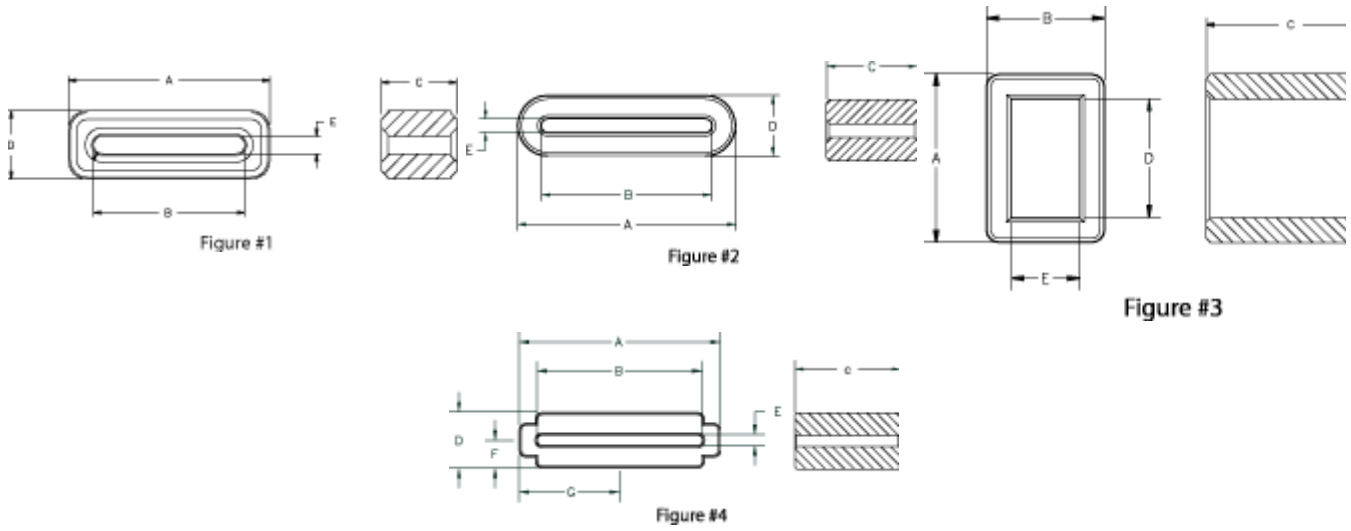


# 28R1861-000



### Drawing Figure #

Figure Number
1

### Electrical Characteristics

Z @ 25 MHz	Z @ 100 MHz	Z @ 300 MHz
111	244	507

### Physical Dimensions

A in	A mm	B in	B mm	C in	C mm	D in	D mm	E in	E mm
1.878	47.70	1.417	36.00	1.063	27.00	0.600	15.24	0.108	2.74

