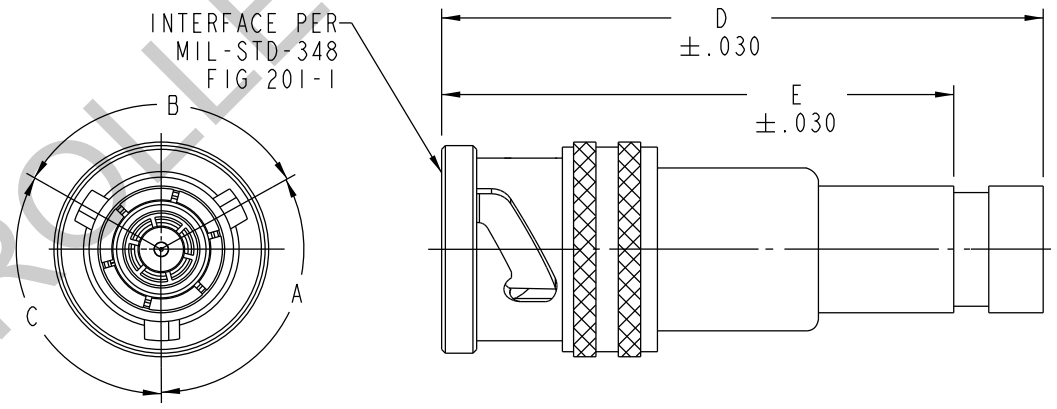


REVISIONS			
REV	DESCRIPTIONS	DATE	APPROVED
H	ECO 53315	5-13-11	C. MONAHAN

DASH NO.	CABLES ACCOMODATED	ASSEMBLE PER	DIM "D"	DIM "E"
-201	M17/176-00002	TA1-201	1.540	1.375
-202	TWC-78-1			
-203	TWC-124-1A			
-204	10602, RAYCHEM			
-205	TWAC-78-1F2			
-206	7826D0130, RAYCHEM			
-207	83310, BELDEN			
-208	202-3927, MICRODOT			
-209	202-3942, MICRODOT			
-210	8451, BELDEN			
-211	202-3934, MICRODOT			
-212	2524E0114, RAYCHEM			
-213	TWC-78-2, M17/45-RG108			
-214	TWC-124-2			
-215	BL982, TIMES			
-216	BL1242, TIMES			
-217	M27500-22 RC2S06			
-218	EDP221888, RAYCHEM			
-219	252601114, RAYCHEM			
-220	GC875RR1, GRUMMAN			
-221	10614, RAYCHEM GC875TM24H, GRUMMAN			
-222	10613, RAYCHEM			
-223	HMS2-1149, HUGHES			
-224	TWCP-124-3			
-225	PS665PL, PRIME STOCK			
-226	TWCP-124-5	TA1-209	1.660	1.495

KEY LETTER	A DEGREES	B DEGREES	C DEGREES	COLOR BAND
NONE	120°	120°	120°	NONE
T	100°	150°	110°	RED
U	120°	130°	110°	ORANGE
V	115°	130°	115°	YELLOW
W	125°	110°	125°	GREEN
X	130°	100°	130°	BLUE
Y	110°	140°	110°	VIOLET
Z	100°	160°	100°	GRAY
S	135°	135°	90°	WHITE



-201 SHOWN

I. EXAMPLE OF COMPLETE MODEL NO:  
 BASIC MODEL NO. PL75MC T - 201 CABLE GROUP  
 DASH NO. (SEE TABLE 1)  
 POLARIZATION LETTER \_\_\_\_\_  
 NONE REQD FOR STD  
 POLARIZATION (SEE TABLE 2)

NOTES: UNLESS OTHERWISE SPECIFIED.

INTERPRET DRAWING PER MIL-STD-100. DIMENSIONS ARE IN INCHES AND INCLUDE FINISH THICKNESS UNLESS OTHERWISE SPECIFIED.		TOL: UNLESS SPECIFIED. .XX ± .005 .XXX ± .010 .XXXX ± .015 ANGLE ± CRITICAL		Cinch Connectivity Solutions 299 Johnson Ave. Ste. 100 Waseca, MN 56093 1-800-247-8256
DRW. L. MCLENNAN 6-28-11		MATERIAL:		
N/A	CHK	TITLE: PL75MC/T/U/V/ W/X/Y/Z/S		SIZE CAGE CODE DRAWING NO. REV. B 14949 3-0285 H
BLANK LENGTH (REF. ONLY)	QUALITY	FINISH:		
N/A	APPROVED	SCALE 6/1		DATE 4/6/94 SHEET 1 OF 3
SURFACE AREA	PROJ. FILE NO. 3-0285	DO NOT SCALE DWG		