

MATERIALS AND FINISHES:

ELECTRICAL

BODY: BERYLLIUM COPPER
OPTION 1:
 PLATED: GOLD (30μ-in MIN) OVER
 NICKEL (100μ-in MIN)
OPTION 2:
 PLATED GOLD (8μ-in MIN)
 OVER NICKEL PHOSPHOR (80μ-in MIN)
 OVER COPPER (20μ-in MIN)

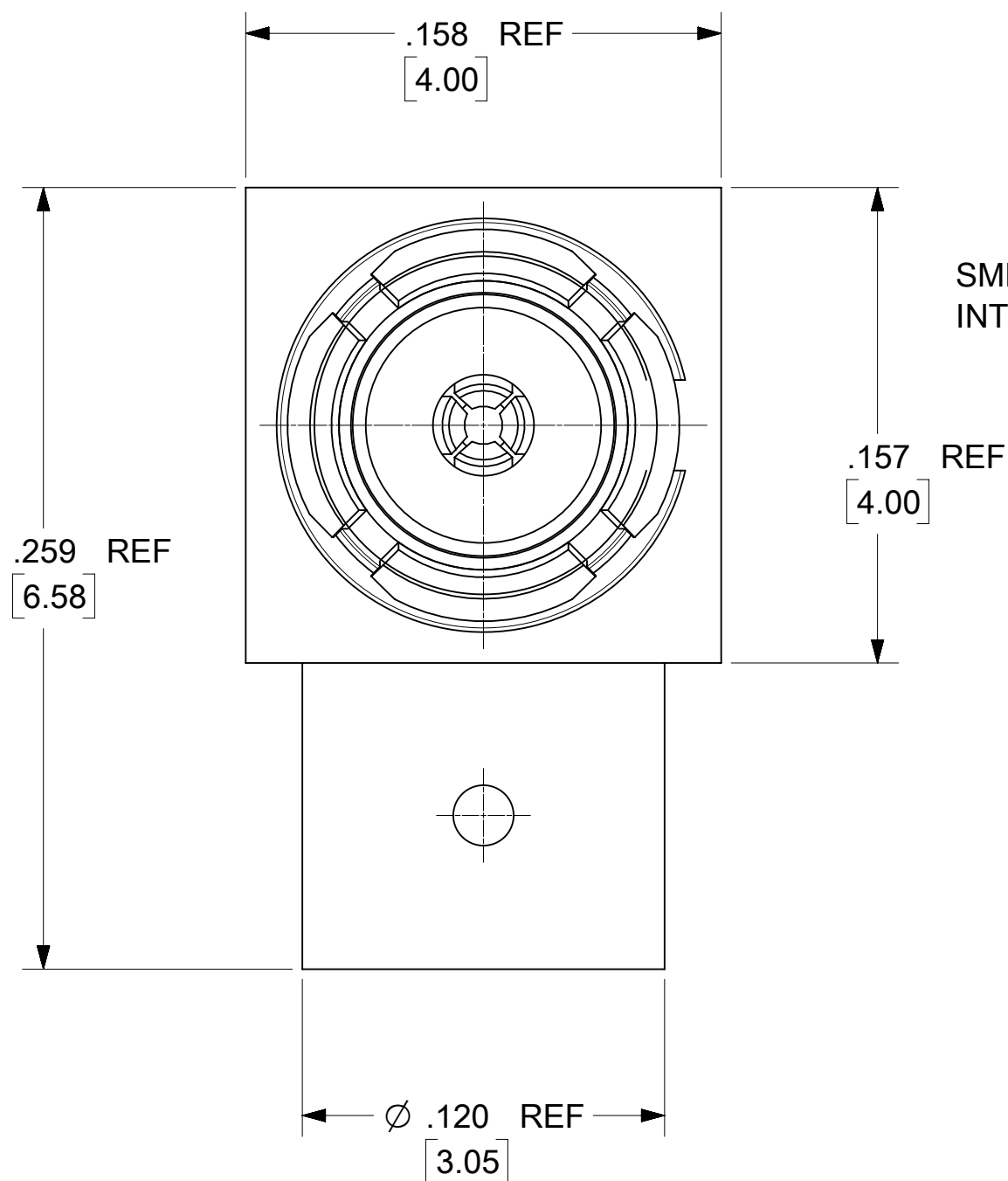
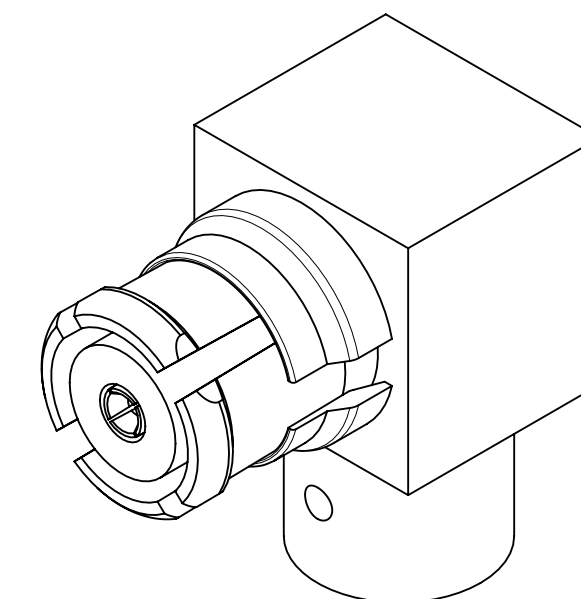
FREQUENCY RANGE
 DC-18 GHz
 VSWR: 1.35 MAX

CONTACT: BERYLLIUM COPPER
OPTION 1:
 PLATED: GOLD (30μ-in MIN) OVER
 NICKEL (100μ-in MIN)
OPTION 2:
 PLATED GOLD (8μ-in MIN)
 OVER NICKEL PHOSPHOR (80μ-in MIN)
 OVER COPPER (20μ-in MIN)

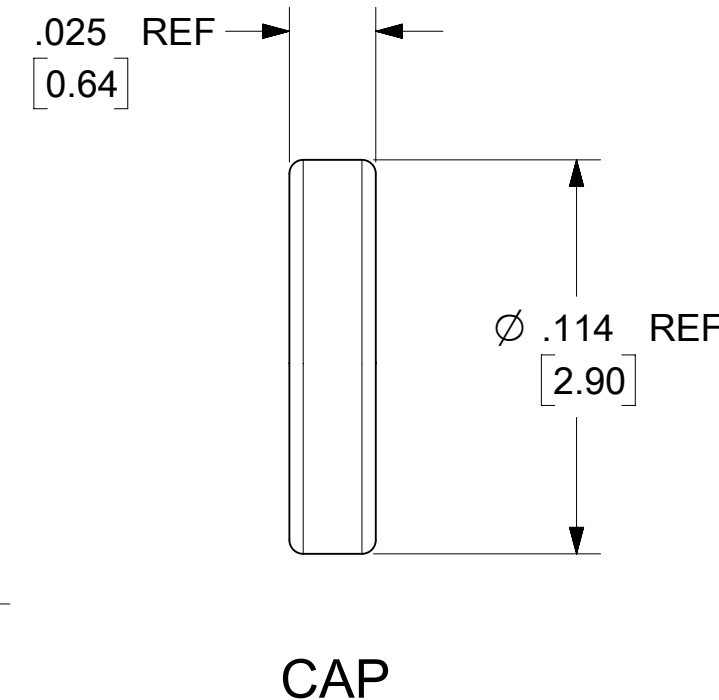
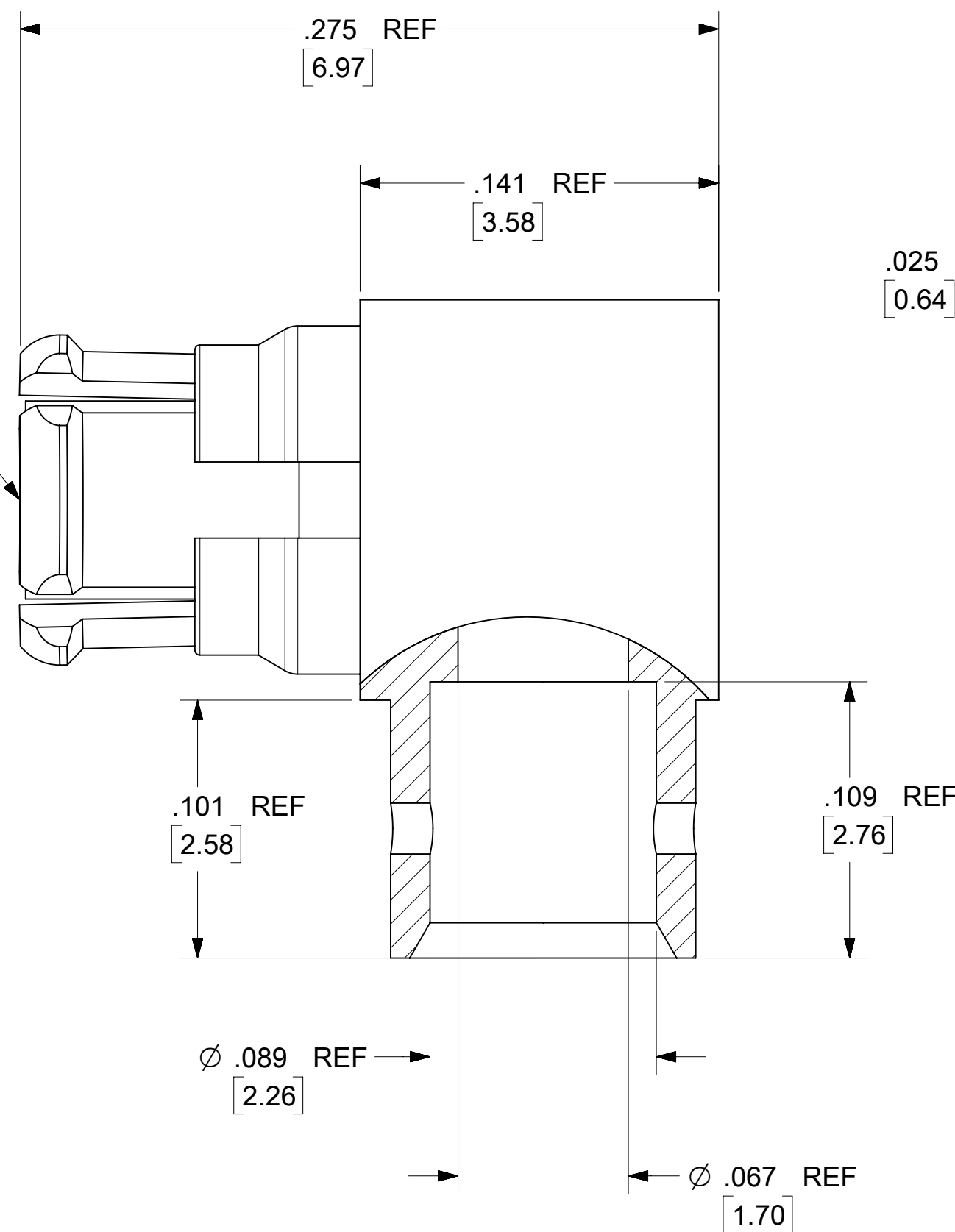
EMI RING: BERYLLIUM COPPER
OPTION 1:
 PLATED: GOLD (10μ-in MIN) OVER
 NICKEL (100μ-in MIN)
OPTION 2:
 PLATED GOLD (8μ-in MIN)
 OVER NICKEL PHOSPHOR (80μ-in MIN)
 OVER COPPER (20μ-in MIN)

CAP: BRASS
OPTION 1:
 PLATED: GOLD (30μ-in MIN) OVER
 NICKEL (100μ-in MIN)
OPTION 2:
 PLATED GOLD (8μ-in MIN)
 OVER NICKEL PHOSPHOR (80μ-in MIN)
 OVER COPPER (20μ-in MIN)

INSULATOR: PTFE



SMP JACK
INTERFACE



LABEL WITH EACH BAG
FOR 73406-7022

MOLEX P/N: 73406-7022
DATE: YYWW

73406-7022	SAME AS 73406-7021				ONE PER BAG	895420470
73406-7021	OPTION 2	OPTION 2	OPTION 2	OPTION 2	TRAY	895420040
73406-7020	OPTION 1	OPTION 1	OPTION 1	OPTION 1		
PART NO.	BODY	CONTACT	EMI RING	CAP	PACKAGING	PACKING SPEC

PS-89675-3320	ELECTRICAL / MECHANICAL PERFORMANCE
MIL-STD-348B, FIG. 326.1	INTERFACE
SPECIFICATION	DESCRIPTION

THIS DRAWING CONTAINS INFORMATION THAT IS PROPRIETARY TO MOLEX ELECTRONIC TECHNOLOGIES, LLC AND SHOULD NOT BE USED WITHOUT WRITTEN PERMISSION

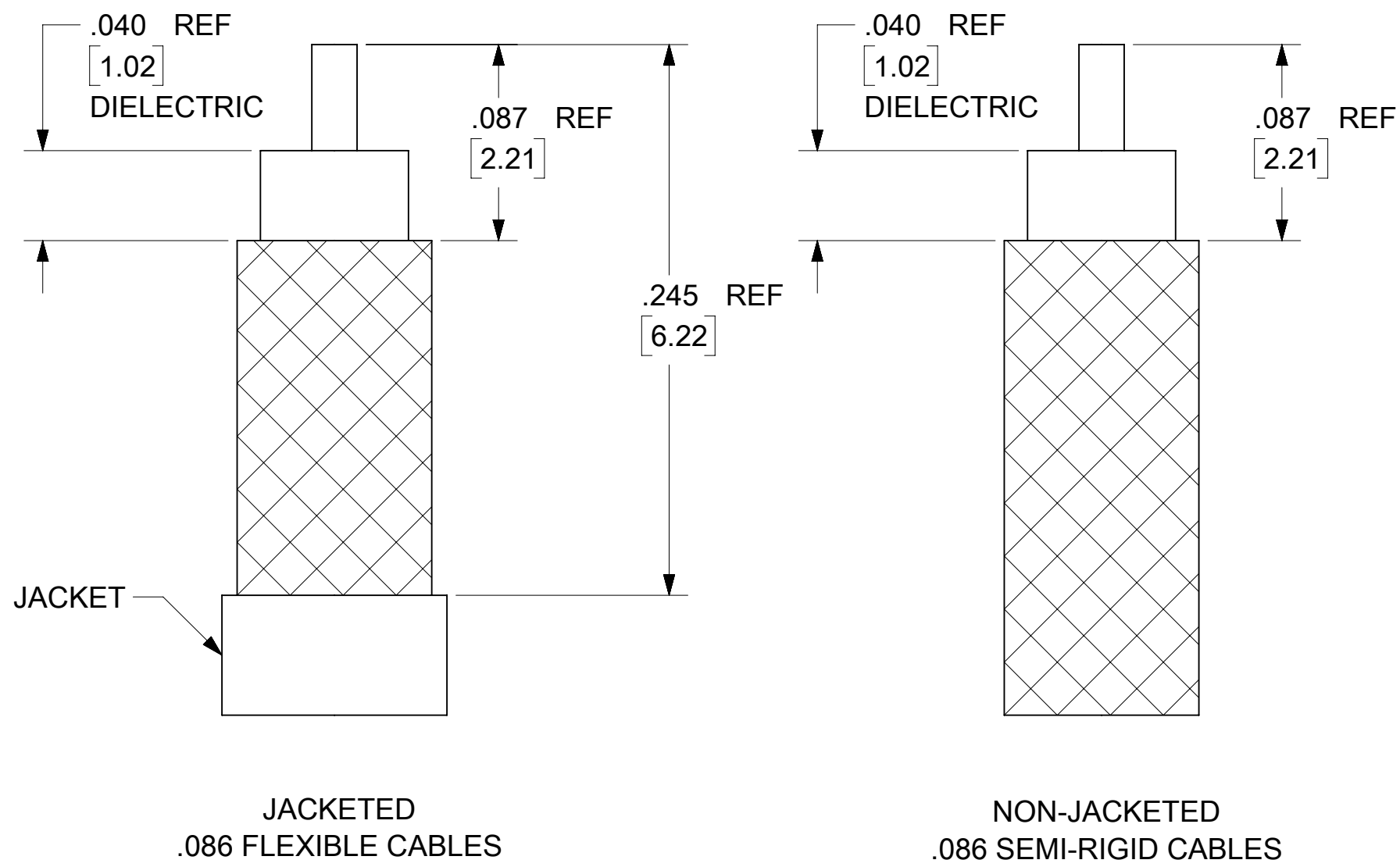
DIMENSION UNITS INCH/MM	SCALE NTS	CURRENT REV DESC: ADD 73406-7022 FOR SMALL PACK PER EWR15321-D	molex			
GENERAL TOLERANCES (UNLESS SPECIFIED)						
	MM	INCH	SMP JACK RA FOR 086 SIZE CABLES SMP - JC EWR-10580-A			
4 PLACES	±	±				
3 PLACES	±	± 0.01				
2 PLACES	± 0.25	±				
1 PLACE	±	±				
0 PLACES	±	±	PRODUCT CUSTOMER DRAWING			
ANGULAR TOL	± 2.0°					
DRAFT WHERE APPLICABLE MUST REMAIN WITHIN DIMENSIONS	THIRD ANGLE PROJECTION	DRAWING C-SIZE	SERIES 73406	MATERIAL NUMBER SEE TABLE	CUSTOMER	SHEET NUMBER 1 OF 2

EC NO: 718352
 DRWN: CWEI02 2022/08/17
 CHK'D: YCHENG 2022/08/23
 APPR: YCHENG 2022/08/23

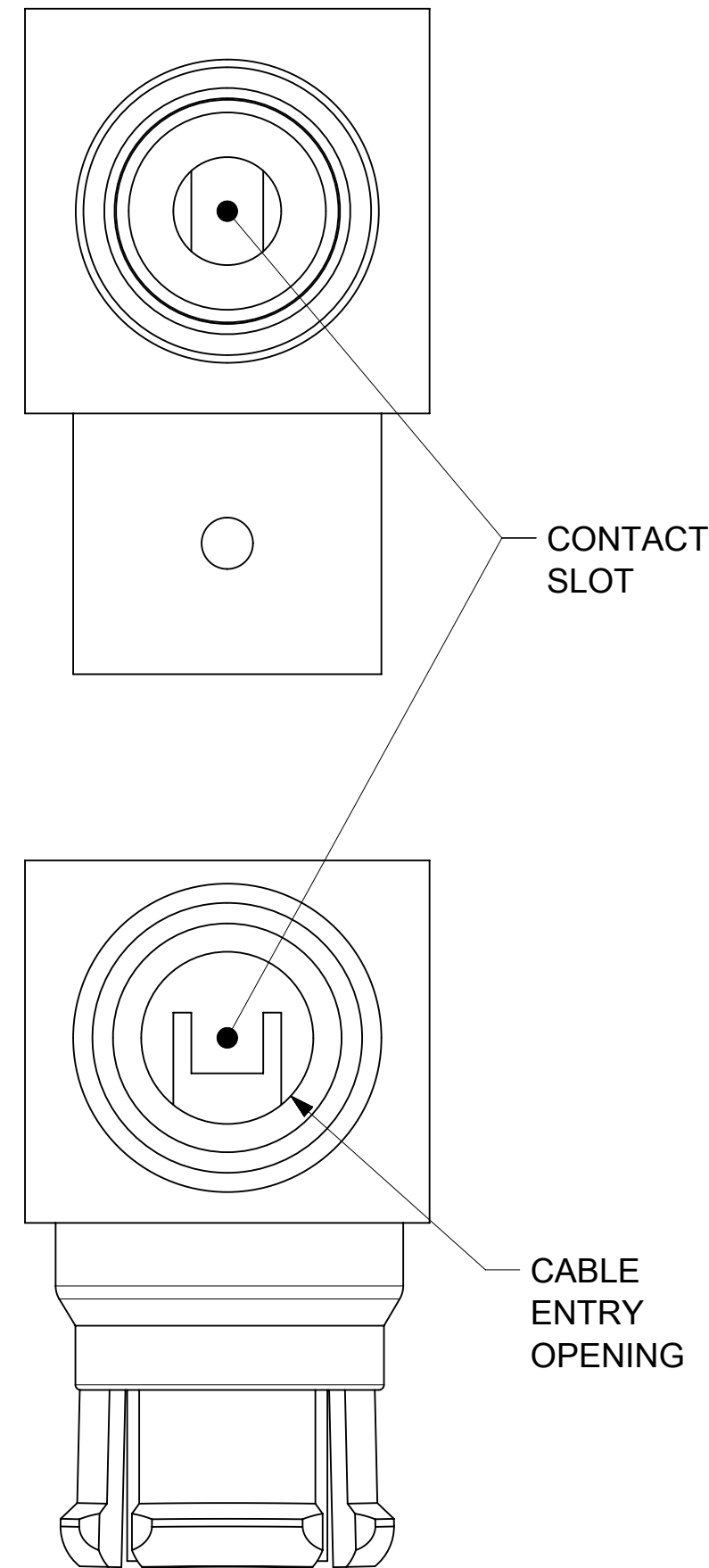
INITIAL REVISION:
 DRWN: BSHAH 2015/10/02
 APPR: AROBERTSON 2015/10/09

DOCUMENT NUMBER: **SD-73406-702** | DOC TYPE: PSD | DOC PART: 001 | REVISION: **A3**

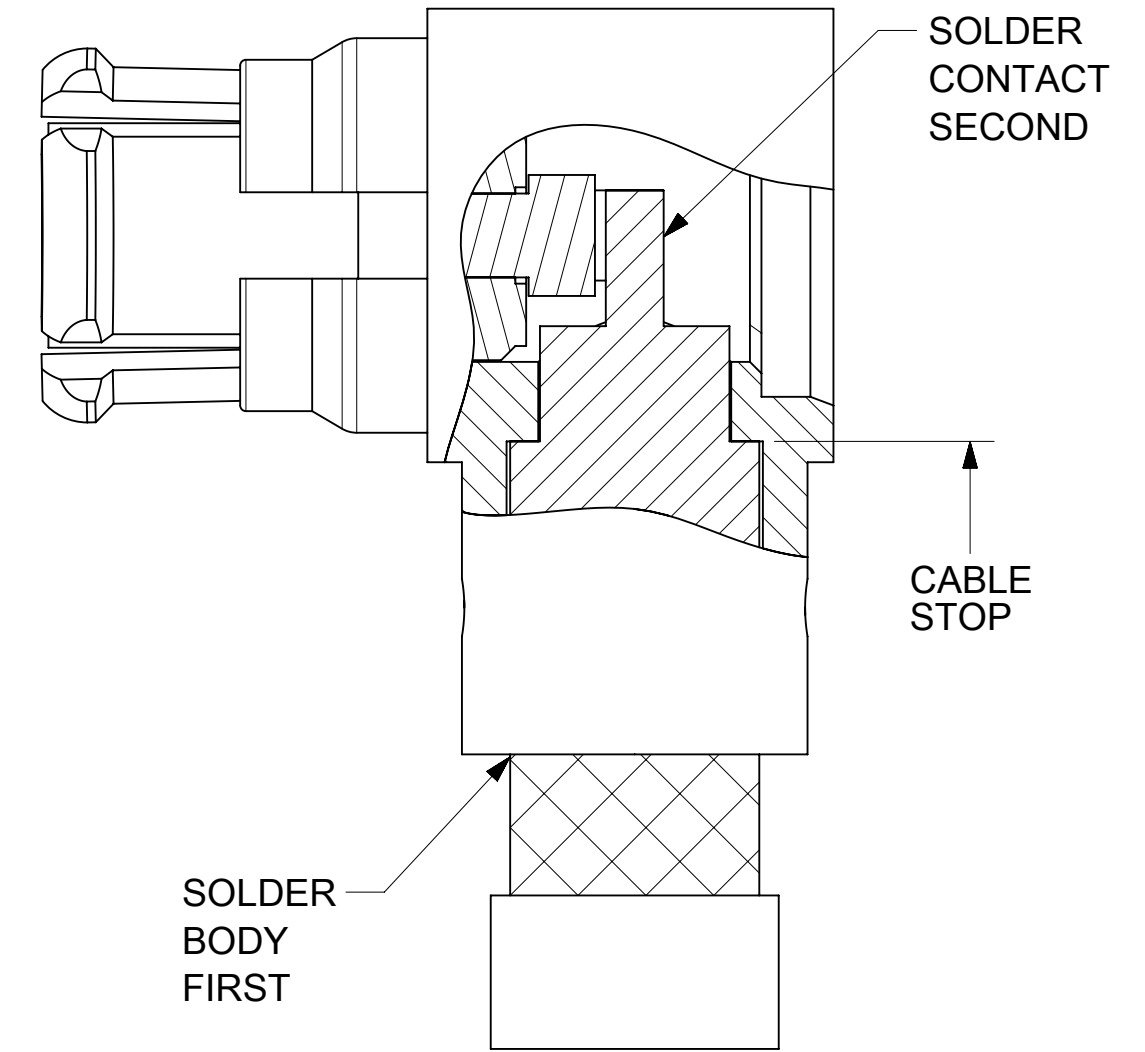
1 STRIP JACKETED OR NON-JACKETED CABLE AS SHOWN.



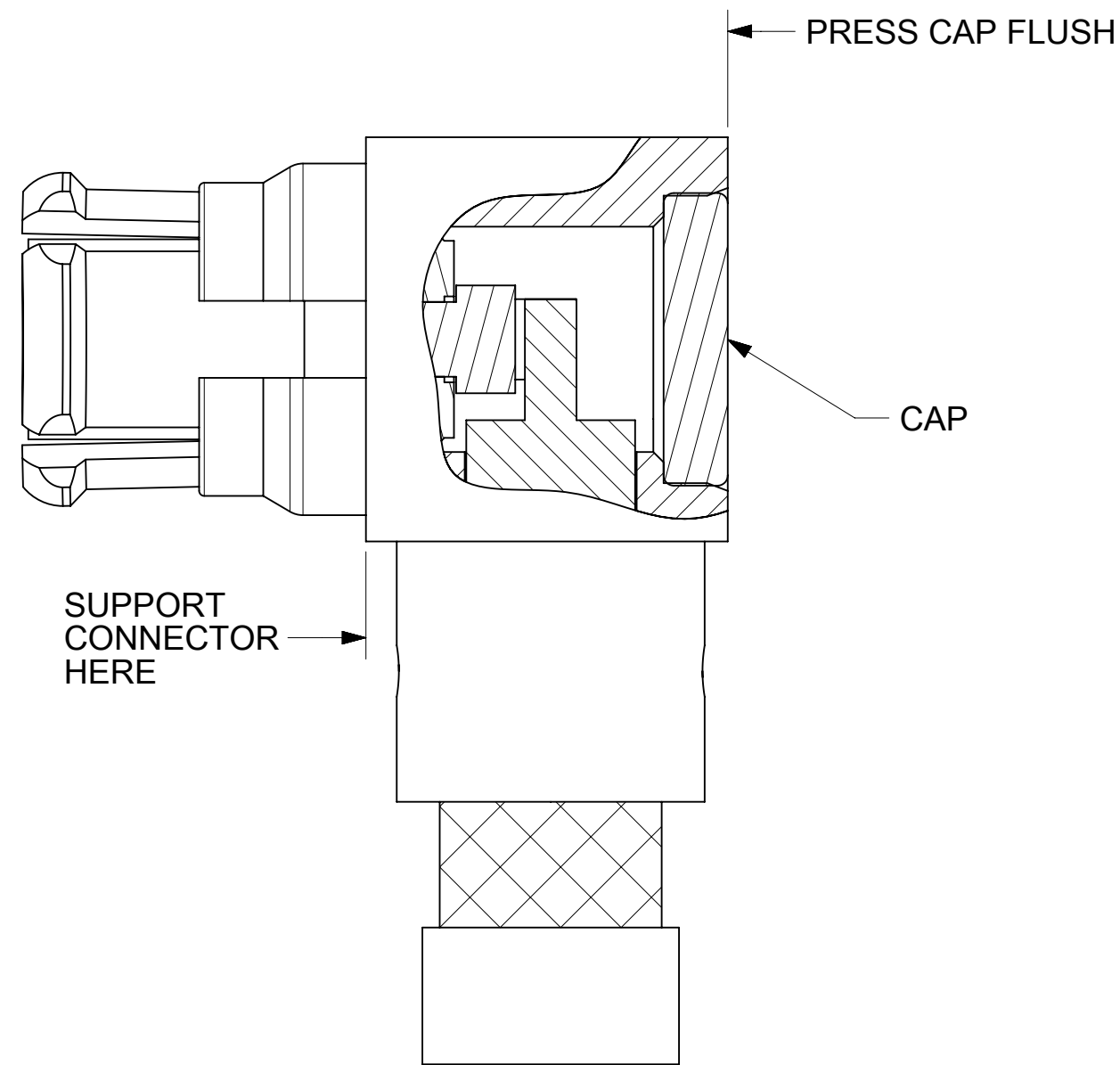
2 IF NECESSARY, ALIGN CONTACT SLOT WITH CABLE ENTRY OPENING AS SHOWN.



3 INSERT CABLE INTO CABLE ENTRY OPENING UNTIL CABLE STOP. SOLDER THE CABLE AND BODY, THEN CABLE AND CONTACT WHERE SHOWN.



4 SUPPORT CONNECTOR ON SURFACE SHOWN AND PRESS CAP FLUSH WITH REAR SURFACE OF BODY.



THIS DRAWING CONTAINS INFORMATION THAT IS PROPRIETARY TO MOLEX ELECTRONIC TECHNOLOGIES, LLC AND SHOULD NOT BE USED WITHOUT WRITTEN PERMISSION									
DIMENSION UNITS INCH/MM		SCALE NTS		CURRENT REV DESC: ADD 73406-7022 FOR SMALL PACK PER EWR15321-D					
GENERAL TOLERANCES (UNLESS SPECIFIED)				EC NO: 718352 DRWN: CWEI02 2022/08/17 CHK'D: YCHENG 2022/08/23 APPR: YCHENG 2022/08/23 INITIAL REVISION: DRWN: BSHAH 2015/10/02 APPR: AROBERTSON 2015/10/09					
		MM	INCH						
4 PLACES	±		±						
3 PLACES	±		± 0.01						
2 PLACES	±	0.25	±						
1 PLACE	±		±						
0 PLACES	±		±						
ANGULAR TOL		± 2.0°		THIRD ANGLE PROJECTION					
DRAFT WHERE APPLICABLE MUST REMAIN WITHIN DIMENSIONS				DRAWING C-SIZE		SERIES 73406		MATERIAL NUMBER SEE TABLE	
DOCUMENT STATUS P1 RELEASE DATE 2022/08/23 12:44:04				molex SMP JACK RA FOR 086 SIZE CABLES SMP - JC EWR-10580-A PRODUCT CUSTOMER DRAWING DOCUMENT NUMBER SD-73406-702					
				DOC TYPE PSD		DOC PART 001		REVISION A3	
				CUSTOMER		SHEET NUMBER 2 OF 2			