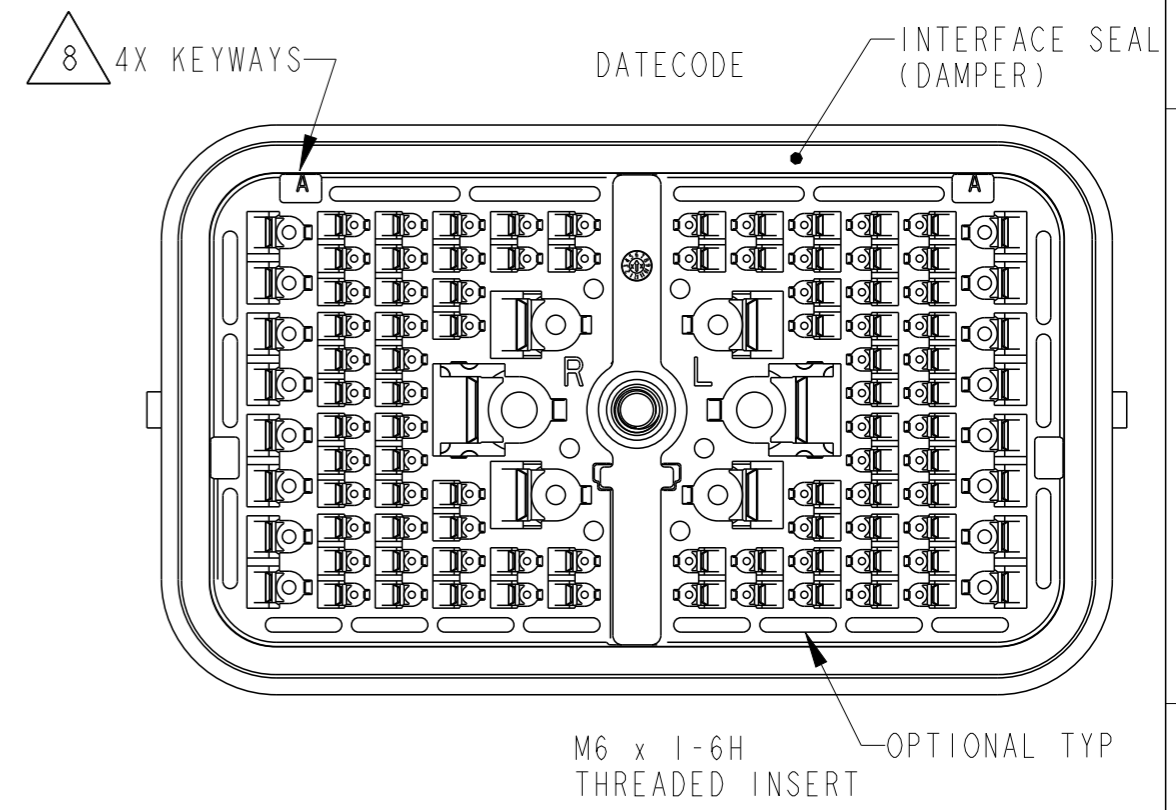
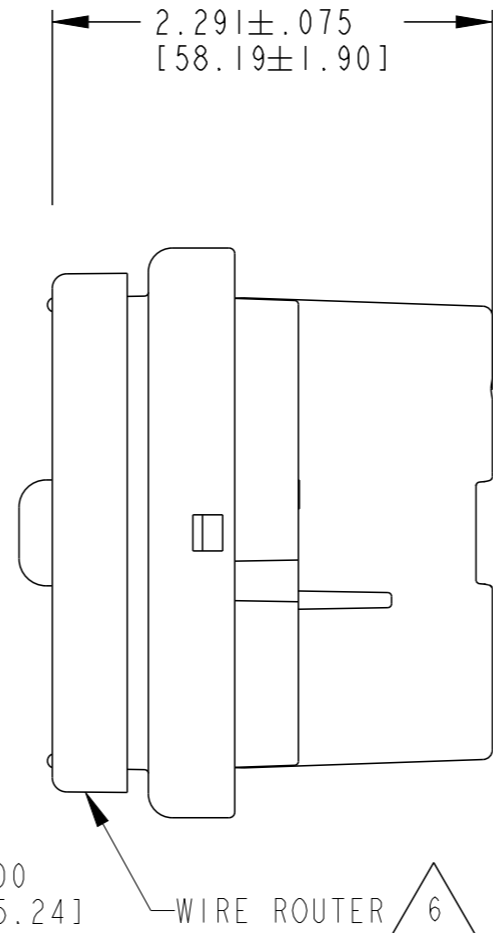
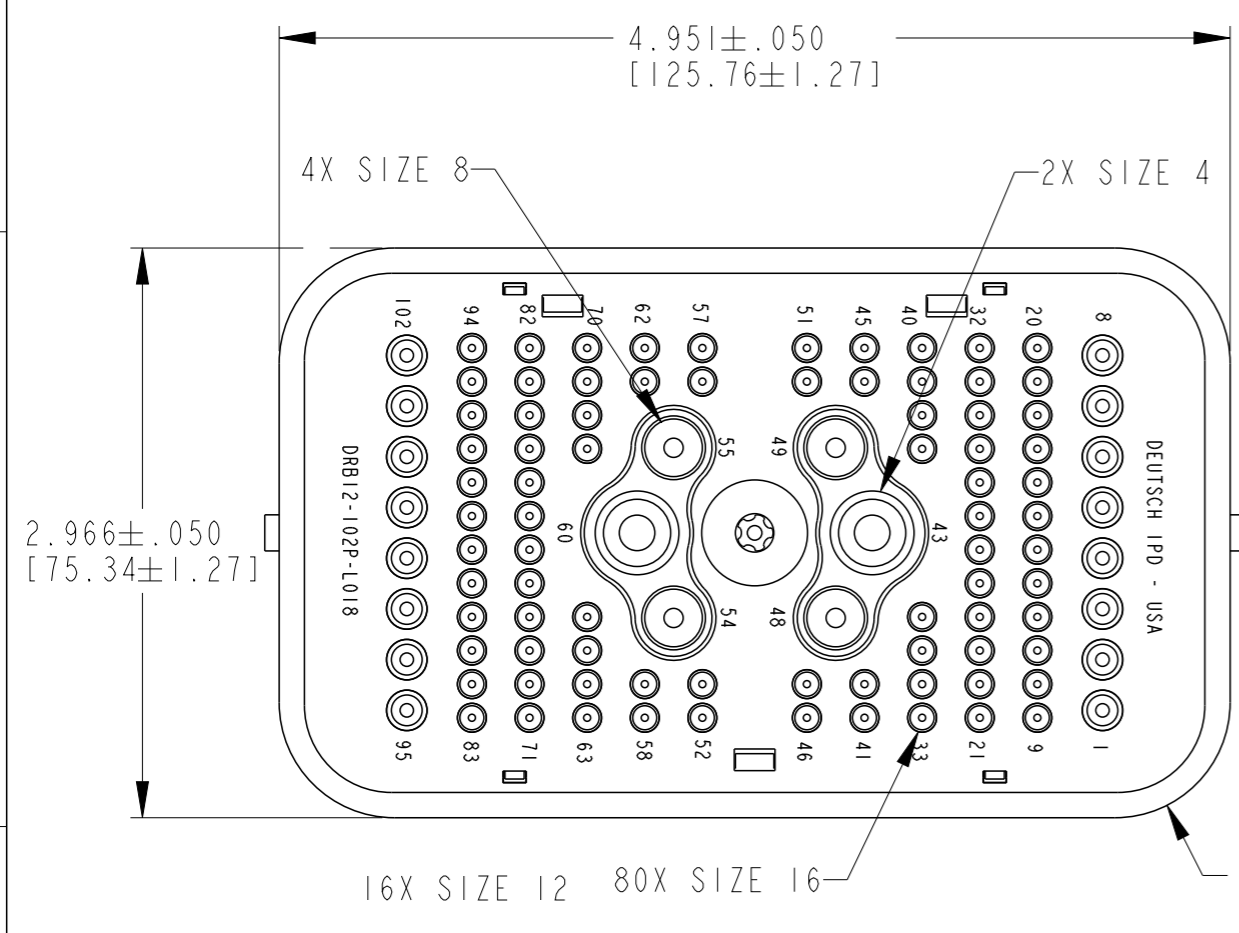


© 2021 TE Connectivity. All Rights Reserved.

REVISIONS

P	LTR	DESCRIPTION	DATE	DWN	APVD
A		REVISED PER E.O. P19491	3-30-07	RDR	RDR
B		REVISED PER E.O. P21364	5-7-12	RDR	RDR
C		REVISED PER E.O. P21520	12-8-12	DM	DM
C1		REVISED PER E-21-000810	20JAN2021	MR	IG
C2		REVISED PER ECR-22-147466	26JUL2022	JT	IG



- 8 SEE SHEET 2 FOR OTHER KEY ARRANGEMENTS.
- 7 MATERIAL: RECEPTACLE: PA66 GF; SEAL/GROMMET: VMQ; THREADED INSERT: STEEL.
- 6 WIRE ROUTER CAP IS INCLUDED WITH RECEPTACLE (-L018).
- 5. THIS RECEPTACLE MATES WITH DRB16-102S*E-**** PLUG (*=A,B,C,D KEYS; **** = ALL MODIFICATIONS. CONSULT FACTORY FOR MODS)
- 4 FOR CONTACTS AND WIRE PERFORMANCE AND APPLICATION CHARACTERISTICS SEE INFORMATION DRAWING 0425-015-0000.
- 3. ITEMS SOLD SEPARATELY: SECONDARY LOCKS: WB-51P*R AND WB-51P*L INTERFACE FLANGE: DRBF-1*

CONTACT SIZE	MIN. INSUL. O.D. [mm]	MAX. INSUL. O.D. [mm]	WIRE RANGE [mm ²] REF ONLY
4	.261 [6.629]	.292 [7.417]	6 AWG [13.0]
8	.135 [3.429]	.220 [5.588]	8-10 AWG [8.0-5.0]
12	.097 [2.464]	.158 [4.013]	12-14 AWG [3.0-2.0]
16	.053 [1.346]	.120 [3.048]	14-20 AWG [2.0-0.5]

- 2. DELETED.
- 1. DELETED.

NOTES: UNLESS OTHERWISE SPECIFIED

THIS DRAWING IS A CONTROLLED DOCUMENT.

DIMENSIONS: INCHES [mm]	TOLERANCES UNLESS OTHERWISE SPECIFIED:	DWN J. APOSTOL 13DEC2012	
	0 PLC ±	CHK P. CARNAHAN 17DEC2012	
	1 PLC ±	APVD D. MEYER 18DEC2012	
	2 PLC ±	PRODUCT SPEC 108-151021	
MATERIAL	FINISH	APPLICATION SPEC -	RESTRICTED TO -

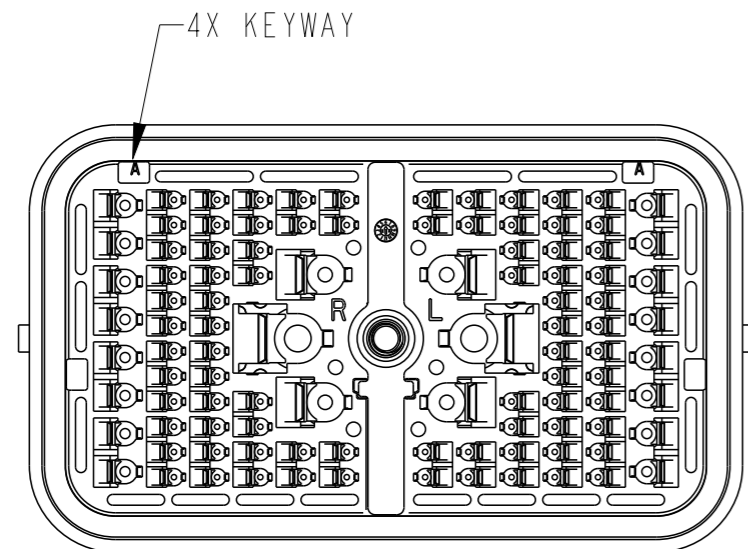
NAME RECEP, 102 CONTACTS KEY: A,B,C,D E SEAL; COLOR: BLACK -L018 MOD DRB SERIES

SIZE A3 CAGE CODE 00779 DRAWING NO C-DRB12-102PXE-L018

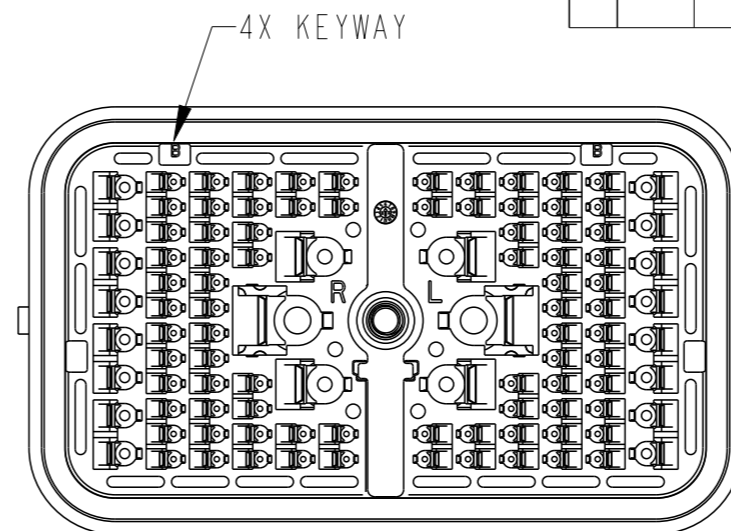
CUSTOMER DRAWING; RESTRICTED CUSTOMER SCALE 2:1 SHEET 1 OF 2 REV C2

REVISIONS

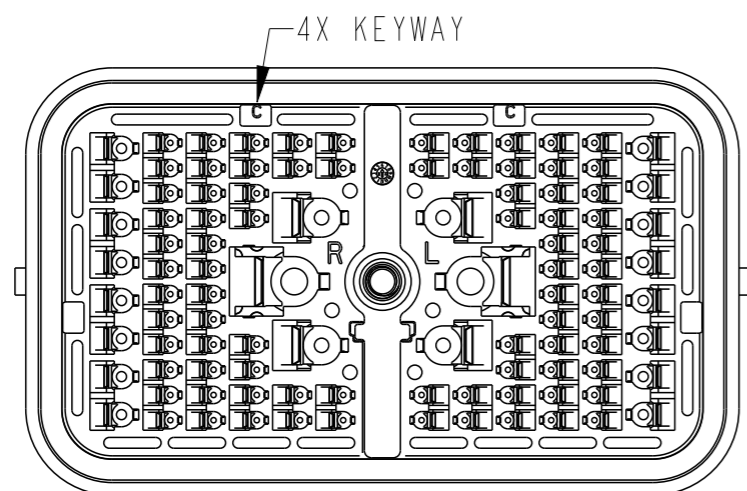
P	LTR	DESCRIPTION	DATE	DWN	APVD
-	-	SEE SHEET 1	-	-	-



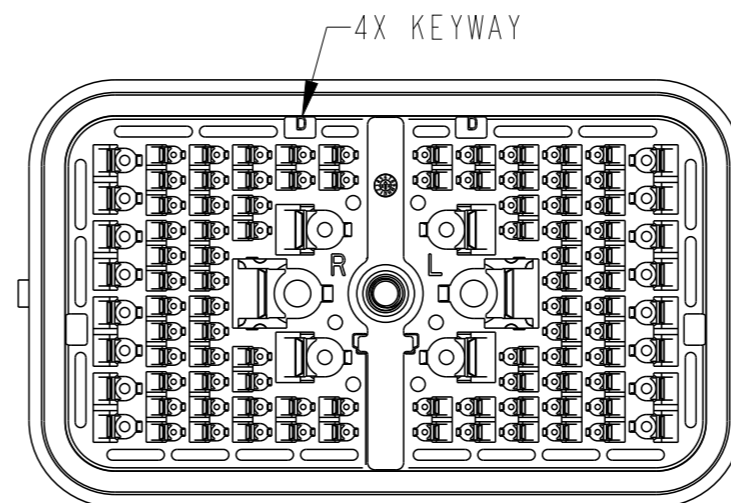
DRB12-102PAE-L018
KEY: A



DRB12-102PBE-L018
KEY: B



DRB12-102PCE-L018
KEY: C



DRB12-102PDE-L018
KEY: D

THIS DRAWING IS A CONTROLLED DOCUMENT.		DWN J. APOSTOL 13DEC2012				
DIMENSIONS: INCHES [mm]		CHK P. CARNAHAN 17DEC2012				
TOLERANCES UNLESS OTHERWISE SPECIFIED:		APVD D. MEYER 18DEC2012	NAME RECEP, 102 CONTACTS KEY: A,B,C,D E SEAL; COLOR: BLACK -L018 MOD DRB SERIES			
<ul style="list-style-type: none"> 0 PLC ± 1 PLC ± 2 PLC ± 3 PLC ±.025 [.64] 4 PLC ± ANGLES ±30° 0' 0" FINISH - 		PRODUCT SPEC 108-151021	SIZE A3	CAGE CODE 00779	DRAWING NO DRB12-102PXE-L018	RESTRICTED TO -
MATERIAL 7		APPLICATION SPEC -	SCALE 2:1		SHEET 2 OF 2	REV C2
CUSTOMER DRAWING; RESTRICTED CUSTOMER						