
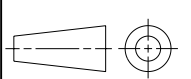


THIS DRAWING IS UNPUBLISHED. RELEASED FOR PUBLICATION
 © COPYRIGHT - ALL RIGHTS RESERVED.

LOC	DIST	REVISIONS				
P	LTR	DESCRIPTION	DATE	DWN	APVD	
A1	-	A7	REVISIED PER ECO-11-005140	14APR2011	RK	HMR

ROUND TO FLAT CABLE SHIELDED SERIES 300 ANSLEY

DIM. A	DIM. B	DIM. C	NO. OF COND.	COIL LENGHT 30.5m		REEL LENGHT 100m		REEL LENGHT 500m	
				PART NO	OLD PN	PART NO	OLD PN	PART NO	OLD PN
6.80 ±0.20	11,43	0,8	9	0-1437373-2	300-09	0-1437373-1	300-09-100M		
6.80 ±0.20	12,70	0,8	10	0-1437373-6	300-10	0-1437373-4	300-10-100M	0-1437373-5/7	300-10-500M
7.20 ±0.20	17,78	0,8	14	0-1437373-7	300-14	0-1437373-8/7	300-14-100M		
7.60 ±0.20	19,05	0,8	15	0-1437373-9	300-15	1-1437373-0/7	300-15-100M	1-1437373-1/7	300-15-500M
8.40 ±0.20	20,32	0,8	16	1-1437373-3	300-16	1-1437373-4	300-16-100M	1-1437373-5	300-16-500M
8.40 ±0.20	25,40	0,8	20	1-1437373-6	300-20	1-1437373-7	300-20-100M	1-1437373-8/7	300-20-500M
9.20 ±0.30	30,48	0,8	24	1-1437373-9	300-24				
9.20 ±0.30	31,75	0,8	25	2-1437373-0	300-25	2-1437373-1/7	300-25-100M		
9.80 ±0.30	33,02	0,8	26	2-1437373-3	300-26	2-1437373-4	300-26-100M		
9.80 ±0.30	38,10	0,8	30		300-30				
10.60 ±0.40	43,20	0,8	34	2-1437373-7	300-34	2-1437373-8	300-34-100M		
10.60 ±0.40	45,72	0,8	36	2-1437373-9/7	300-36				
10.60 ±0.40	47,00	1,0	37	3-1437373-0	300-37	3-1437373-1	300-37-100M		
11.30 ±0.40	50,80	1,0	40	3-1437373-3	300-40	3-1437373-4	300-40-100M	3-1437373-5/7	300-40-500M
11.60 ±0.40	63,50	1,0	50	3-1437373-6	300-50	3-1437373-7	300-50-100M		
13.00 ±0.40	76,20	1,0	60	4-1437373-0/7	300-60	4-1437373-1/7	300-60-100M		
13.50 ±0.40	81,30	1,0	64	4-1437373-2	300-64	4-1437373-3	300-64-100M		

THIS DRAWING IS A CONTROLLED DOCUMENT.		DWN 11APR2003 G.ACKERMANN	 TE Connectivity			
DIMENSIONS: mm		CHK 22APR2003 M.SCHLEIHAUF			NAME ROUND TO FLAT JACKETED CABLE SHIELDED / UNSHIELDED ANSLEY SERIES 300 / 301	
		APVD 25APR2003 G.FELDMER				
TOLERANCES UNLESS OTHERWISE SPECIFIED:		PRODUCT SPEC	SIZE	CAGE CODE	DRAWING NO	RESTRICTED TO
0 PLC ±-	1 PLC ±-	-	A3	00779	©1437373	-
2 PLC ±-	3 PLC ±-	APPLICATION SPEC	SCALE 1:1 SHEET 1 OF 4 REV A7			
4 PLC ±-	ANGLES ±	-	CUSTOMER DRAWING			
MATERIAL -	FINISH -	WEIGHT -				

THIS DRAWING IS UNPUBLISHED. RELEASED FOR PUBLICATION - ALL RIGHTS RESERVED.

LOC	DIST	REVISIONS			
P	LTR	DESCRIPTION	DATE	DWN	APVD
A1	-	SEE SHEET 1	-	-	-

ROUND TO FLAT 1.27mm JACKETED CABLE

ANSLEY 300 SERIES SHIELDED

WIRE GAUGE 28 AWG (7/36) STRANDED

INSULATION AND JACKET PVC

TEMPERATURE RATING 80 °C

VOLTAGE RATING 300V rms

IMPEDANCE 57Ω

CAPACITANCE 92pF/m

INDUCTANCE 0.30 μH/m

VELOCITY OF PROPAGATION 4.50nS/m

INSULATION RESISTANCE 10¹⁰ Ω

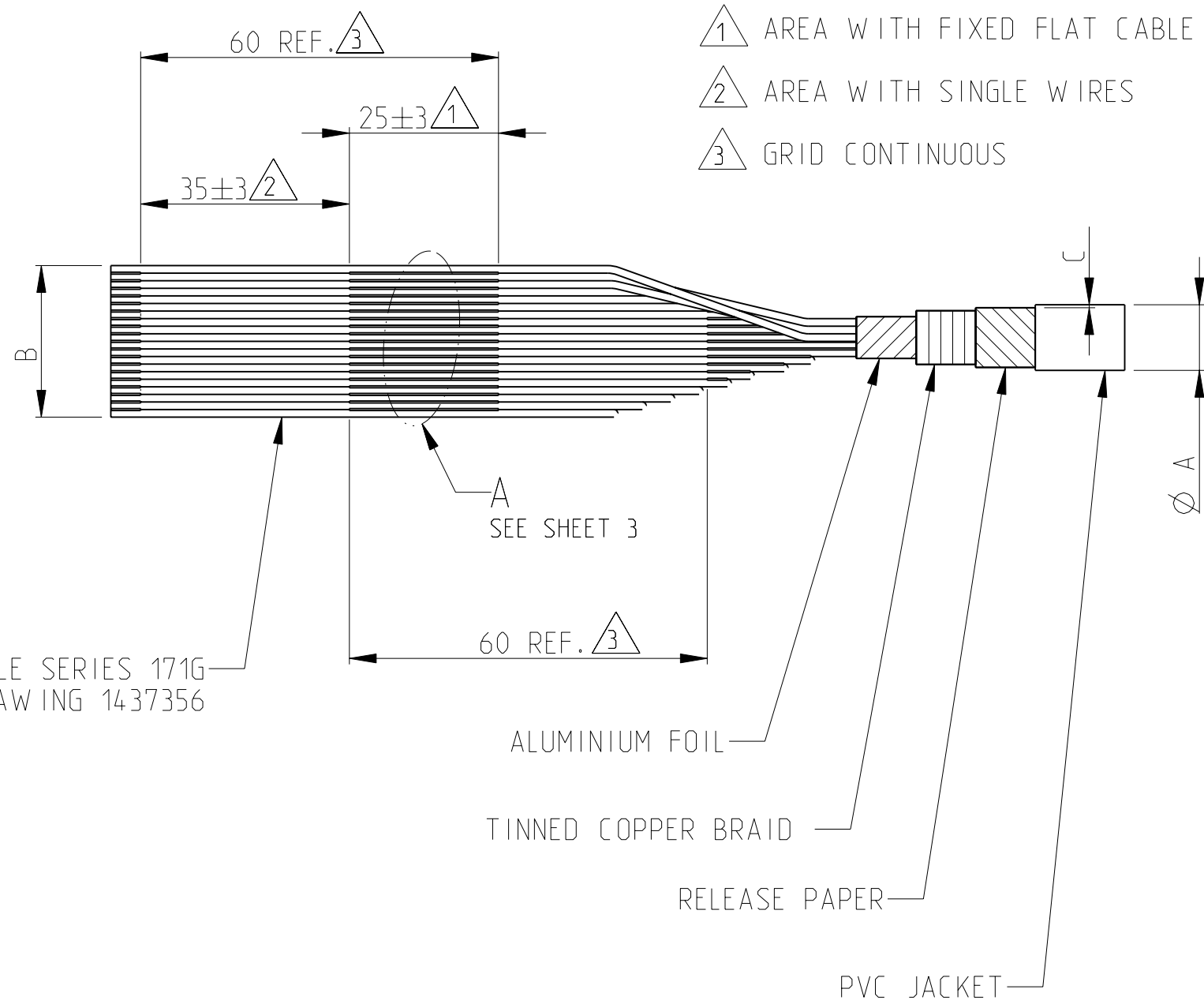
TYPICAL CROSSTALK RISE CHARACTERISTICS
3.05m SAMPLE 1 LINE DRIVEN


RISE TIME 3.0nS 7.0 nS

NEAR END 3.8% 1.8%

FAR END 4.8% 3.3%

APPROVALS AWM STYLE 20267
ALTERNATIVE PLCC CL2



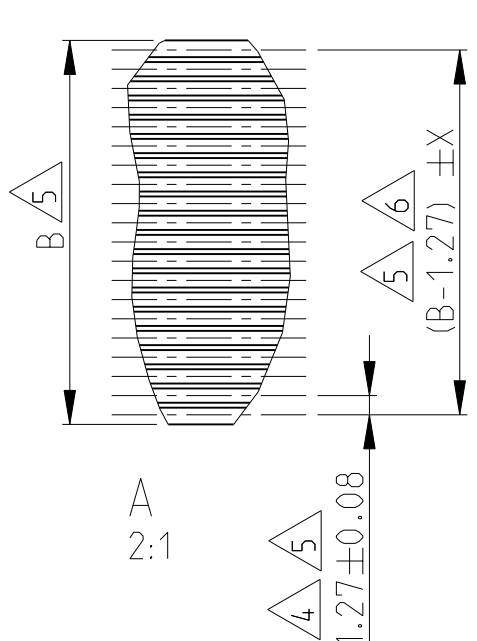
THIS DRAWING IS A CONTROLLED DOCUMENT.		DWN 11APR2003 G.ACKERMANN	 TE Connectivity															
DIMENSIONS: mm		CHK 22APR2003 M.SCHLEIHAUF																
TOLERANCES UNLESS OTHERWISE SPECIFIED: ±0.2		APVD 25APR2003 G.FELDMEIER	NAME ROUND TO FLAT JACKETED CABLE SHIELDED / UNSHIELDED ANSLEY SERIES 300 / 301															
<table border="1"> <tr><td>0 PLC</td><td>±</td></tr> <tr><td>1 PLC</td><td>±</td></tr> <tr><td>2 PLC</td><td>±</td></tr> <tr><td>3 PLC</td><td>±</td></tr> <tr><td>4 PLC</td><td>±</td></tr> <tr><td>ANGLES</td><td>±</td></tr> </table>		0 PLC	±	1 PLC	±	2 PLC	±	3 PLC	±	4 PLC	±	ANGLES	±	PRODUCT SPEC	SIZE	CAGE CODE	DRAWING NO	RESTRICTED TO
0 PLC	±																	
1 PLC	±																	
2 PLC	±																	
3 PLC	±																	
4 PLC	±																	
ANGLES	±																	
MATERIAL -		FINISH -	A3	00779	1437373	-												
			SCALE 1:1		SHEET 2 OF 4	REV A7												

THIS DRAWING IS UNPUBLISHED. RELEASED FOR PUBLICATION
 © COPYRIGHT - ALL RIGHTS RESERVED.

LOC	DIST	REVISIONS			
P	LTR	DESCRIPTION	DATE	DWN	APVD
A1	-	SEE SHEET 1	-	-	-

ROUND TO FLAT CABLE UNSHIELDED SERIES 301 ANSLEY

DIM. A	DIM. B	DIM. C	NO. OF COND.	COIL LENGHT 30.5m		COIL LENGHT 100m		REEL LENGHT 500m	
				PART NO	OLD PN	PART NO	OLD PN	PART NO	OLD PN
6.10 ±0.20	11,43	0,8	9	4-1437373-4	301-09	4-1437373-5	301-09-100M		
6.20 ±0.20	12,70	0,8	10	4-1437373-7	301-10	4-1437373-8	301-10-100M		
7.20 ±0.20	17,78	0,8	14	4-1437373-9/7	301-14				
7.20 ±0.20	19,05	0,8	15	5-1437373-0	301-15				
7.20 ±0.20	20,32	0,8	16	5-1437373-1/7	301-16	5-1437373-2	301-16-100M		
7.30 ±0.20	25,40	0,8	20	5-1437373-3	301-20	5-1437373-4	301-20-100M		
8.60 ±0.30	30,48	0,8	24	5-1437373-6/7	301-24				
8.60 ±0.30	31,75	0,8	25	5-1437373-7	301-25				
8.60 ±0.30	33,02	0,8	26	5-1437373-8	301-26	5-1437373-9/7	301-26-100M		
9.30 ±0.30	38,10	0,8	30		301-30				
10.00 ±0.40	43,20	0,8	34	6-1437373-2	301-34	6-1437373-3	301-34-100M		
10.20 ±0.40	45,72	0,8	36	6-1437373-4/7	301-36				
10.30 ±0.40	47,00	1,0	37	6-1437373-5/7	301-37	6-1437373-6	301-37-100M		
10.50 ±0.40	50,80	1,0	40	6-1437373-7	301-40	6-1437373-8/7	301-40-100M		
11.10 ±0.40	63,50	1,0	50	6-1437373-9	301-50	7-1437373-0	301-50-100M		
12.50 ±0.40	76,20	1,0	60	7-1437373-2	301-60			7-1437373-3/7	301-60-500M
13.00 ±0.40	81,30	1,0	64	7-1437373-4/7	301-64	7-1437373-5	301-64-100M		



- 4 PITCH TOLERANCE NOT CUMULATIVE
- 5 VALID IN AREA 1 ONLY
- 6 TOTAL PITCH TOLERANCE X
 - ... 14 CONDUCTORS ±0.18
 - 15 ... 37 CONDUCTORS ±0.25
 - 38 ... CONDUCTORS ±0.38
- 7 OBSOLETE PARTS: OBSOLETE CIS STREAMLINING PER D.RENAUD/D.SINISI

THIS DRAWING IS A CONTROLLED DOCUMENT.		DWN 11APR2003 G.ACKERMANN		TE Connectivity	
DIMENSIONS: mm		CHK 22APR2003 M.SCHLEIHAUF			
TOLERANCES UNLESS OTHERWISE SPECIFIED:		APVD 25APR2003 G.FELDMEIER		NAME ROUND TO FLAT JACKETED CABLE SHIELDED / UNSHIELDED ANSLEY SERIES 300 / 301	
0 PLC ±		PRODUCT SPEC		SIZE	
1 PLC ±		APPLICATION SPEC		CAGE CODE	
2 PLC ±		WEIGHT		DRAWING NO	
3 PLC ±		CUSTOMER DRAWING		RESTRICTED TO	
4 PLC ±		SCALE 1:1		SHEET 3 OF 4	
ANGLES ±		REV A7			
FINISH -					

THIS DRAWING IS UNPUBLISHED. RELEASED FOR PUBLICATION -
 © COPYRIGHT - ALL RIGHTS RESERVED.

LOC	DIST	REVISIONS			
P	LTR	DESCRIPTION	DATE	DWN	APVD
		SEE SHEET 1	-	-	-

ROUND TO FLAT 1.27mm JACKETED CABLE
 ANSLEY 301 SERIES UNSHIELDED

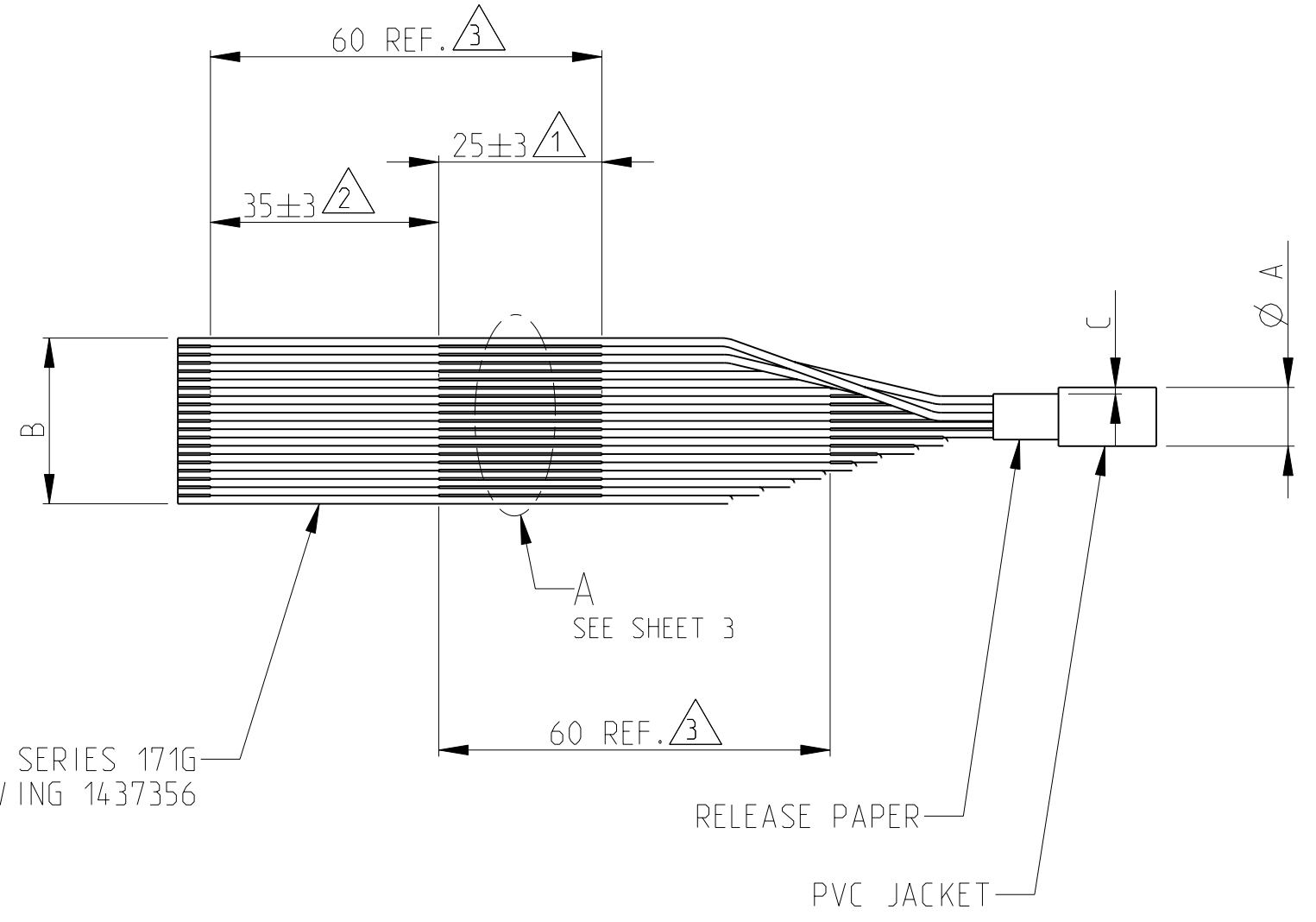
WIRE GAUGE 28 AWG (7/36) STRANDED
 INSULATION AND JACKET PVC
 TEMPERATURE RATING 80 °C
 VOLTAGE RATING 300V rms
 IMPEDANCE 63Ω
 CAPACITANCE 81pF/m
 INDUCTANCE 0.33 μH/m
 VELOCITY OF PROPAGATION 4.40nS/m
 INSULATION RESISTANCE 10¹⁰ Ω

TYPICAL CROSSTALK RISE CHARACTERISTICS
 3.05m SAMPLE 1 LINE DRIVEN

RISE TIME	3.0nS	7.0 nS
NEAR END	4.8%	3.5%
FAR END	5.8%	3.0%

APPROVALS
 ALTERNATIVE AWM STYLE 20267
 PLCC CL2

- △1 AREA WITH FIXED FLAT CABLE
- △2 AREA WITH SINGLE WIRES
- △3 GRID CONTINUOUS



FLAT CABLE SERIES 171G
 SEE DRAWING 1437356

THIS DRAWING IS A CONTROLLED DOCUMENT.		DWN 11APR2003 G. ACKERMANN	TE Connectivity													
DIMENSIONS: mm		CHK 22APR2003 M. SCHLEIHAUF														
TOLERANCES UNLESS OTHERWISE SPECIFIED: ±0.2		APVD 25APR2003 G. FELDMEIER	NAME ROUND TO FLAT JACKETED CABLE SHIELDED / UNSHIELDED ANSLEY SERIES 300 / 301													
<table border="0"> <tr><td>0 PLC</td><td>±</td></tr> <tr><td>1 PLC</td><td>±</td></tr> <tr><td>2 PLC</td><td>±</td></tr> <tr><td>3 PLC</td><td>±</td></tr> <tr><td>4 PLC</td><td>±</td></tr> <tr><td>ANGLES</td><td>±</td></tr> </table>		0 PLC	±	1 PLC	±	2 PLC	±	3 PLC	±	4 PLC	±	ANGLES	±	PRODUCT SPEC -	SIZE A3	CAGE CODE 00779
0 PLC	±															
1 PLC	±															
2 PLC	±															
3 PLC	±															
4 PLC	±															
ANGLES	±															
MATERIAL -		APPLICATION SPEC -	DRAWING NO C-1437373	RESTRICTED TO -												
FINISH -		WEIGHT -	SCALE 1:1 SHEET 4 OF 4 REV A7													
CUSTOMER DRAWING																