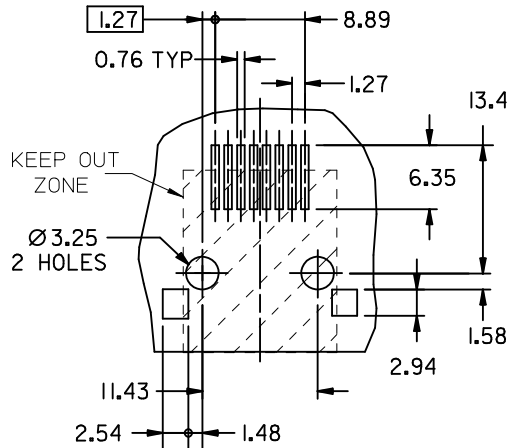


NOTES:

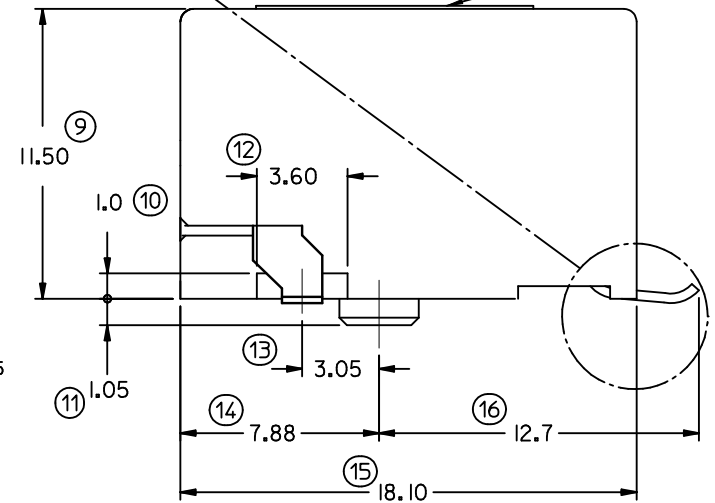
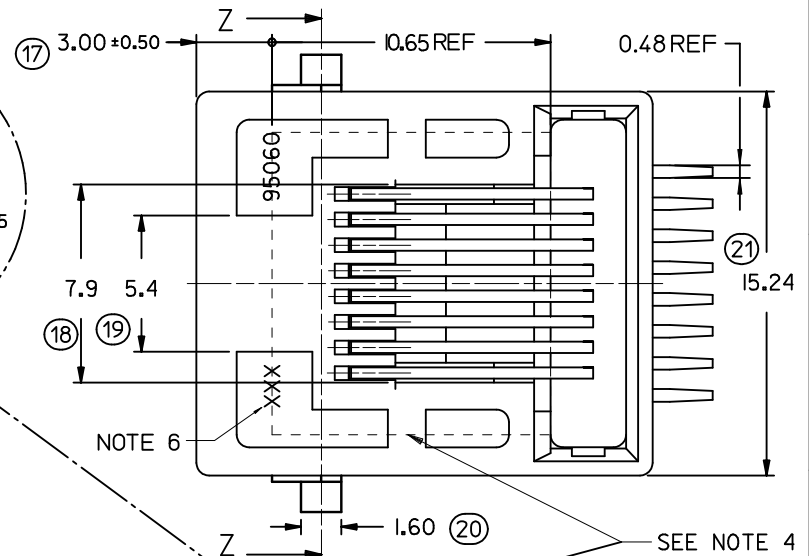
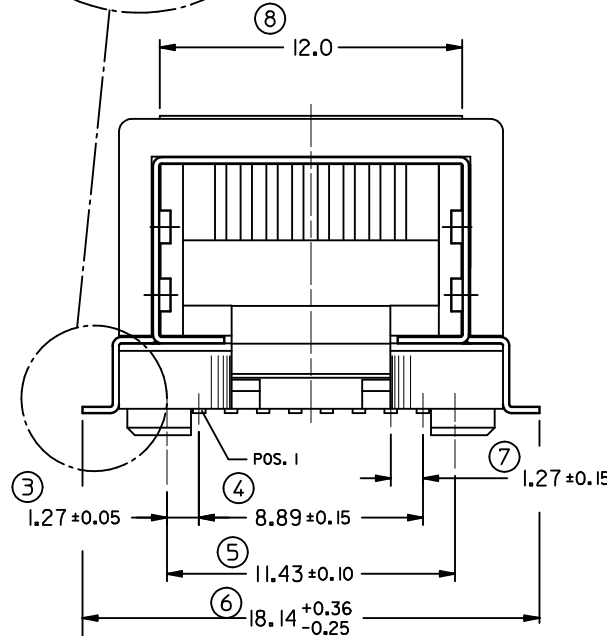
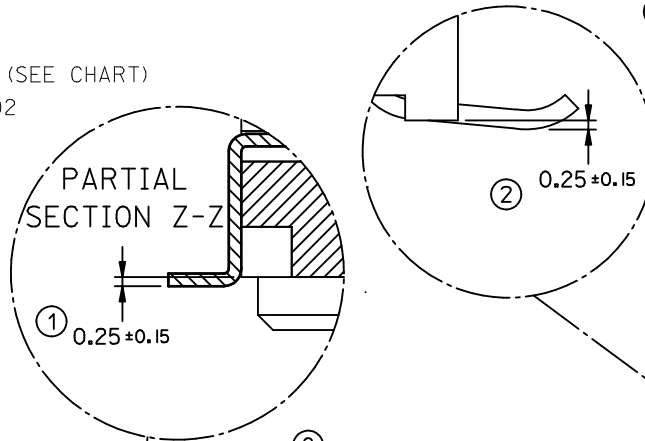
- 1- COPLANARITY OF LEADS : 0.10 MAX.
COPLANARITY OF SHIELD TABS: 0.10 MAX.
 - 2- PACKAGING SPECIFICATION : BLISTER ON REEL (SEE CHART)
 - 3- PRODUCT SPECIFICATION : MOLEX PS-95540-002
 - 4- KAPTON ADHESIVE FOIL: 0.125 THICK.
 - 5- JACK FOR MATING WITH F.C.C. 68 PLUGS
95043 MOLEX SERIES.
 - 6- MANUFACTURING I.D. CAN BE
EITHER MXF, MG OR MXI.
- LAST INSPECTION NUMBER: 21



RECOMMENDED P.C.B. MOUNTING PATTERNS
VIEW FROM COMPONENT SIDE
ALL DIMENSIONS REF DIMENSIONS

PACKAGING			
PART NUMBER	REEL SIZE	SPECIFICATION	PLATING
95540-6886	330	PK-85502 SHT 1	2
95540-7884			7
95540-6888	559	PK-85502 SHT 3	2
95540-7888			7

MATERIAL:
HOUSING: LCP GLASS FILLED UL 94V0, COLOR: BLACK
TERMINAL: COPPER ALLOY PLATED WITH:
PLATING 2: 0.00127 MIN GOLD IN CONTACT AREA, 0.00190 MIN
TIN IN TAIL AREA, BOTH OVER 0.00127 MIN NICKEL OVERALL
PLATING 7: POST PLATE 0.00005 MIN GOLD FLASH OVER 0.00060 MIN
PALLADIUM NICKEL IN CONTACT AREA; 0.00190 MIN TIN IN
TAIL AREA, BOTH OVER 0.00127 MIN NICKEL OVERALL.
SHIELD: COPPER ALLOY PLATED WITH 0.0020 MIN. TIN



ADDED DIMENSION	EC NO: E2012-0079	2011/03/11	DRWN: JOCONNOR	2011/09/28
	CHKD:		APPR: EFOLAN	
	REV			
	DESCRIPTION			

QUALITY SYMBOLS	▽=0
	∇=0
GENERAL TOLERANCES (UNLESS SPECIFIED)	
	mm
	INCH
4 PLACES	± --- ± ---
3 PLACES	± --- ± ---
2 PLACES	± 0.1 ± ---
1 PLACE	± 0.15 ± ---
ANGULAR ± 1/2°	
DRAFT WHERE APPLICABLE MUST REMAIN WITHIN DIMENSIONS	

DIMENSION STYLE		SCALE	DESIGN UNITS	THIRD ANGLE PROJECTION
MM ONLY		5:1	METRIC	☉
DRAWN BY	DATE	TITLE		
KNOLLER	04/06/18	RIGHT ANGLE LOW PROFILE SHIELDED PC JACK (SURFACE MOUNT VERSION)		
CHECKED BY	DATE	MOLEX INCORPORATED		
FCARABET	04/06/28	MATERIAL NO. SD-95540-001		
APPROVED BY	DATE	DOCUMENT NO. SD-95540-001		
KNOLLER	04/06/29	SHEET NO. 2 OF 3		
SIZE	THIS DRAWING CONTAINS INFORMATION THAT IS PROPRIETARY TO MOLEX INCORPORATED AND SHOULD NOT BE USED WITHOUT WRITTEN PERMISSION			
A3				