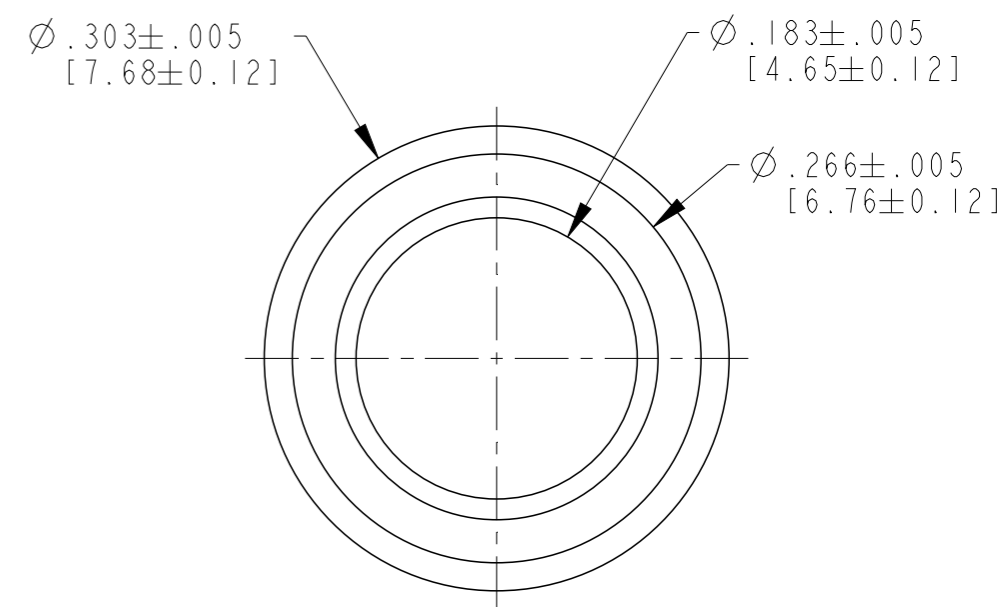
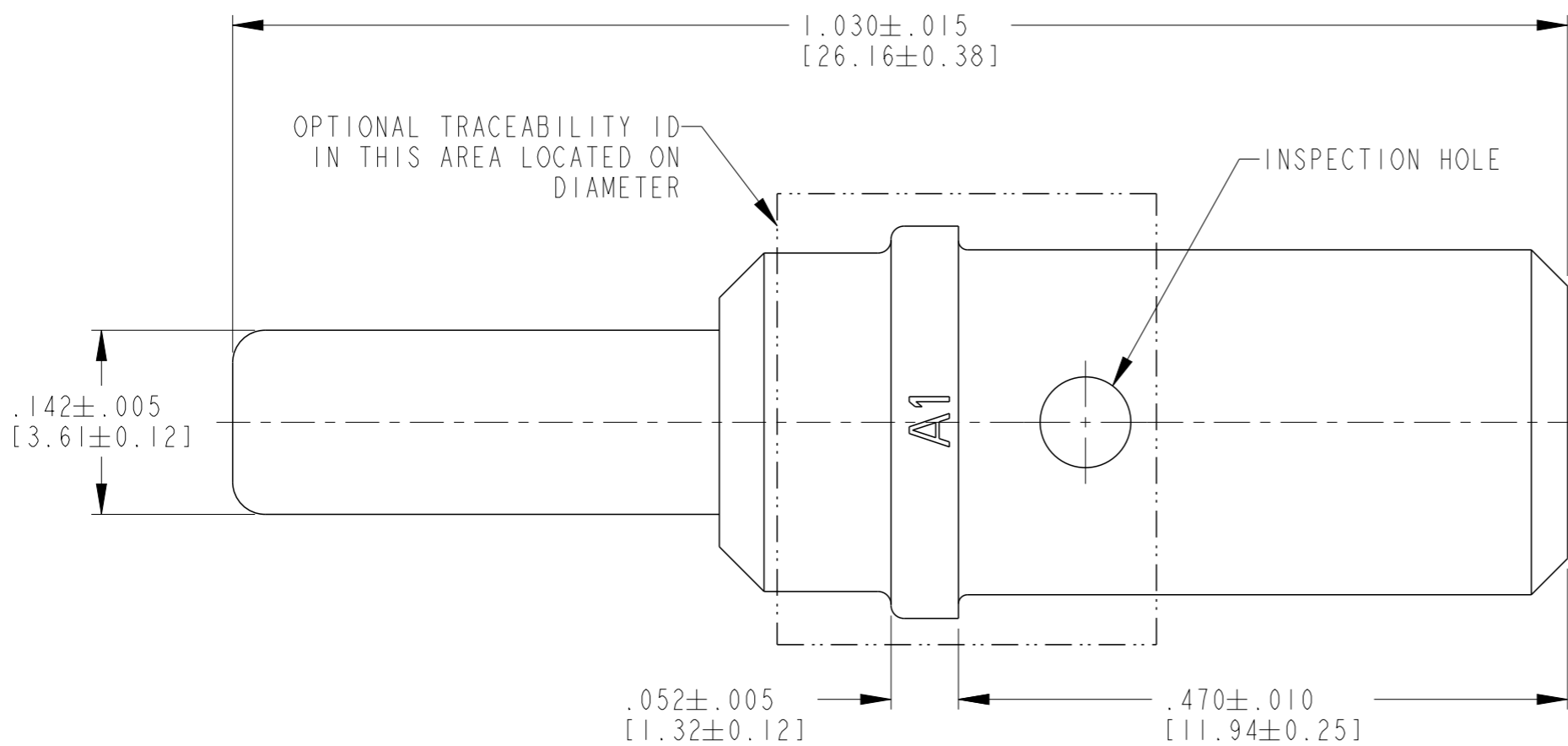


THIS DRAWING IS UNPUBLISHED. RELEASED FOR PUBLICATION 2018. © COPYRIGHT 2000 BY TE CONNECTIVITY ALL RIGHTS RESERVED.

REVISIONS					
P	LTR	DESCRIPTION	DATE	DWN	APVD
	A	REVISED PER PCN E-18-012207	31JUL2018	JA	DM
	A1	REVISED PER PCN E-20-012444	03SEP2020	CL	IG



- (A1) 2. SEE APPLICATION SPECIFICATION 114-151004 FOR CRIMP TOOLS AND WIRE RANGE
- (A1) 1. DELETED

NOTES:

TE INTERNAL PN	DEUTSCH PN	PLATING
0460-204-08141	0460-204-08141	NICKEL

THIS DRAWING IS A CONTROLLED DOCUMENT.		DWN D.MEYER 29NOV2000	 TE Connectivity													
DIMENSIONS: INCHES [mm]		CHK S.BEARD 06DEC2000														
TOLERANCES UNLESS OTHERWISE SPECIFIED:		APVD R. REED 08DEC2000	NAME CONTACT PIN SIZE 8													
<table border="0"> <tr><td>0 PLC</td><td>±</td></tr> <tr><td>1 PLC</td><td>±</td></tr> <tr><td>2 PLC</td><td>±</td></tr> <tr><td>3 PLC</td><td>±</td></tr> <tr><td>4 PLC</td><td>±</td></tr> <tr><td>ANGLES</td><td>±</td></tr> </table>		0 PLC	±	1 PLC	±	2 PLC	±	3 PLC	±	4 PLC	±	ANGLES	±	PRODUCT SPEC 108-151004	SIZE A3	
0 PLC	±															
1 PLC	±															
2 PLC	±															
3 PLC	±															
4 PLC	±															
ANGLES	±															
MATERIAL COPPER ALLOY		APPLICATION SPEC 114-151004	CAGE CODE 4AFU8	DRAWING NO 0460-204-08XX												
FINISH SEE TABLE		WEIGHT 4.5g	RESTRICTED TO -													
CUSTOMER DRAWING			SCALE 8:1	SHEET 1 OF 1												
			REV A1													