

**Telecom OC48 Oscillator**

- 622.08 MHz Osc
- Low Phase Noise
- PECL Output

**Applications**

- SDH / SONET
- Digital Switching
- Test Equipment
- Cellular Telephony
- Land Mobile Radio

Series **CC622E**



Specifications:	Min	Typ	Max	Unit
-----------------	-----	-----	-----	------

<b>Frequency Range:</b>		622.08		MHz
<b>Available Stability Options:</b>	-50		50	ppm
<b>Supply Voltage:</b>	3.135	3.3	3.465	V
<b>Operating Temperature Range Options:</b>	-10		85	°C
<b>Storage Temperature:</b>	-55		125	°C
<b>Duty Cycle:</b>	45		55	%
<b>Start-Up Time:</b>		3	10	mS
<b>Aging (PPM/1st Year):</b> Ta=25C, Vdd=3.3V			±5	
<b>Static Discharge Voltage</b> Mil-Std 883, method 3015	2000			V
<b>Supply Current</b>			100	mA
<b>Short Circuit Current</b>		± 50		mA
<b>Jitter</b> Period, RMS Period, Peak to Peak Accumulated, RMS Peak to Peak		4 25 7 45		pS pS pS pS
<b>Phase Noise</b> @1KHz Offset		-125		dBc/Hz
<b>Output Voltage</b> Voh Vol RI = 50Ω – (Vdd - 2V)	Vdd - 1.025		Vdd - 1.62	V V
<b>Rise / Fall Time</b> Clock Rise (tr) Clock Fall (tf)		0.6 0.5	1.5 1.5	nS nS

**Output Level:** PECL

---

**Packaging:** Tape & Reel

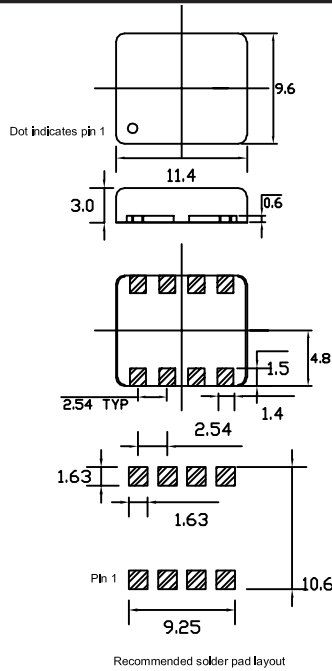
Notes: Extended exposure exceeding maximum ratings may cause permanent damage and affect reliability. Operation outside of specifications is not supported.

**Cardinal Components, Inc., 155 Rt. 46 W, Wayne, NJ. 07470 TEL: (973)785-1333 FAX: (973)785-0053**  
<http://www.cardinalxtal.com> E-Mail: [cardinal@cardinalxtal.com](mailto:cardinal@cardinalxtal.com)

Specifications subject to change without notice. Check website for latest updates



CC622E

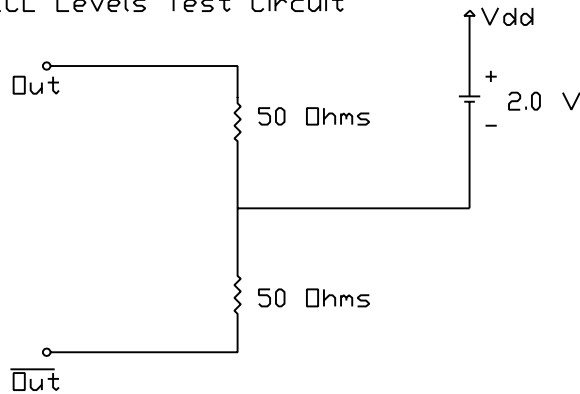


PIN	FUNCTION
1	OE
2	N/C
3	N/C
4	GND
5	PECL +
6	PECL -
7	N/C
8	Vdd

DIMENSIONS ARE IN MM

LEVELS TEST CIRCUIT

PECL Levels Test Circuit



OUTPUT SKEW

PECL Output Skew

