

83229 Manually operating 832295 Part number 832295



- Very compact dimensions
- Rating from 1 mA / 5 V DC to 5 A / 250 V AC
- Threaded barrel fixing
- Long mechanical life

Part numbers

Type	Functions	Connections
832295 Manually operating 832295	Changeover	W2 solder

Specifications

General characteristics

Microswitch	832290
-------------	--------

Presentation

Threaded barrel nickel brass	▪
Black dural button	▪
Chrome-plated nut	▪

Mechanical characteristics

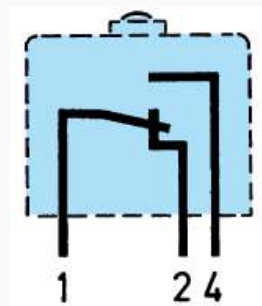
Protection against electric shocks to IEC 536 and NF 20030	Class I
Mechanical durability of operating device (operating cycles)	10 ⁵
Weight (g)	5,5

Other characteristics

Mounting - Operation

See basic technical concepts.

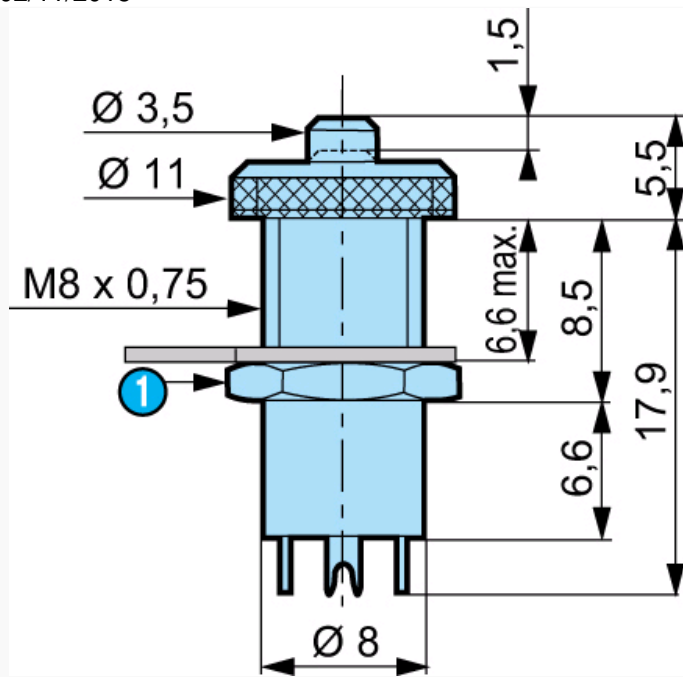
Principles



Dimensions (mm)

Product

832295

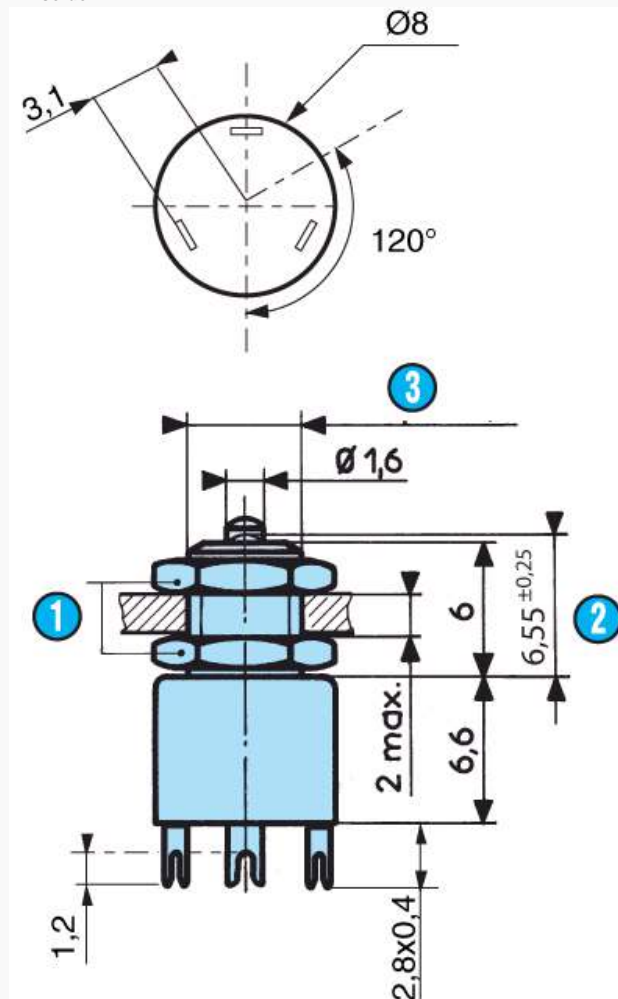


N°	Legend
1	Retaining nut : 10 flats

Dimensions (mm)

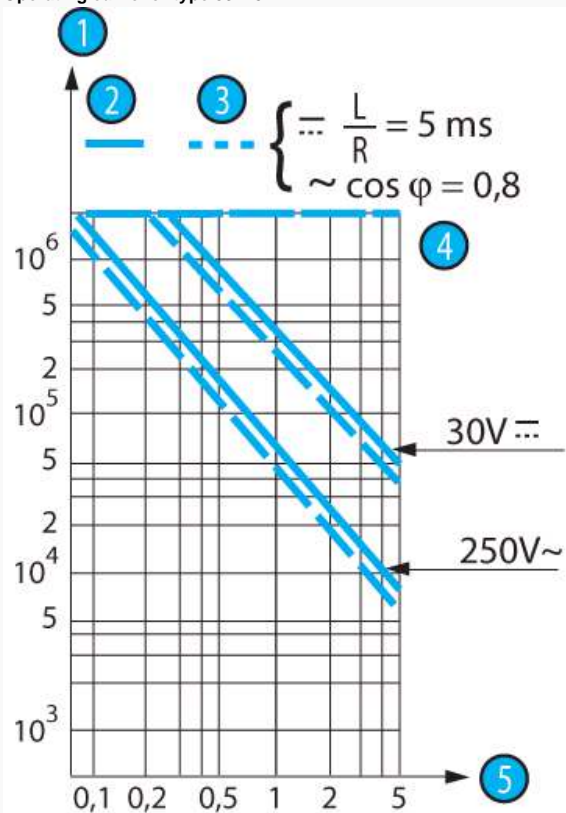
Connections

W2 solder



Curves

Operating curve for type 83229



N°	Legend
①	Number of operations
②	Resistive circuit
③	Inductive circuit
④	Rating in Amps

Other information

Accessories : please consult us.