

IrDA Transceiver with Encoder/Decoder

FEATURES

- Micropower in the Sleep Mode, (2 μ A)
- 3V to 5V Operation
- Wide Dynamic Receiver Range from 200nA to 50mA Typical
- Direct Interface to IrDA Compatible UARTs or Super I/O ICs
- Supports IrDA Standard to 115.2kbps Data Rates
- Transmitter Output Stage Capable to 500mA Sink Current
- IrDA Compliant Modulation & Demodulation Scheme
- Direct Interface to Standard UART
- 16 Pin SSOP, SOIC and DIL Package

DESCRIPTION

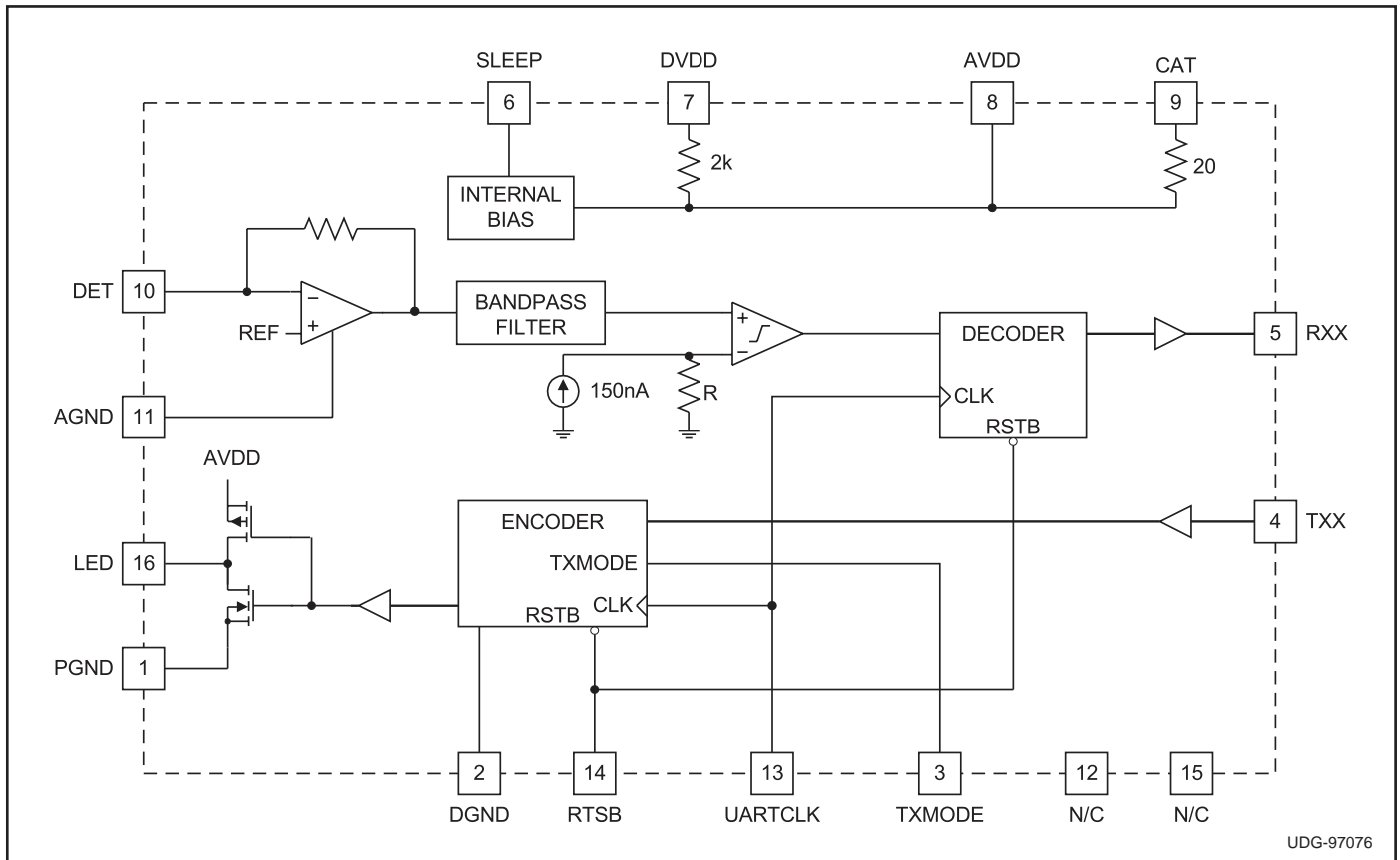
The UCC5343 IrDA Transceiver with Encoder/Decoder supports the Physical Layer specifications of the IrDA standard. Additional functionality is provided by data format translation between standard UART and IrDA formats. The UCC5343 is readily interfaced to a standard UART.

The Receiver has a limiting transresistance amplifier to detect a current signal from a PIN diode and drives RXX pulses into a UART. The receiver is capable of detecting input currents ranging from 200nA to greater than 50mA. The receiver signal path is frequency limited by an internal bandpass filter to reduce interference from other sources of IR energy.

The output of the receiver is designed for direct interface to standard UARTs and Super I/O devices up to 115.2kbps. Internal resistors are provided for decoupling the pin diode supply, minimizing the number of required external components.

The UCC5343 has low current consumption in the active mode, making it excellent for applications with low power requirements. The transmitter section has a low impedance open drain MOSFET output. It is capable of sinking 300mA from an output LED at 3V and 500mA at LED at 5V.

BLOCK DIAGRAM



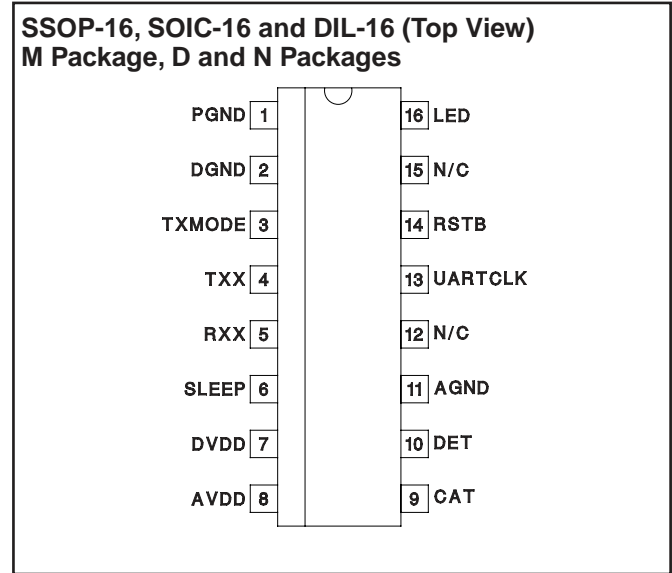
UDG-97076

ABSOLUTE MAXIMUM RATINGS

AVDD, DVDD, CAT	-0.3V to 7V
SLEEP, DET, TXX, LED,	
DVDD, CAT	-0.3mA to AVDD + 0.3mA
IRXX	-10mA to 10 mA
IDET	250mA
ILED	1A
Power Supply	TBA
Storage Temperature	-65°C to +150°C
Junction Temperature	-55°C to +150°C
Lead Temperature (Soldering, 10sec.)	+300°C

All voltages are positive with respect to AGND. DGND and PGND must be connected to AGND. Currents are positive into, negative out of the specified terminal. Consult Packaging Section of the Databook for thermal limitations and considerations of packages.

CONNECTION DIAGRAM



ELECTRICAL CHARACTERISTICS: Unless otherwise specified, 0°C < TA < 70°C TA = 0°C to 70°C, AVDD = 3V to 5.5V, CAVDD = 100nF, CDVDD = 100nF, CCAT = 4.7µF + 100nF, CRXX = 40pF, CDET < 56pF. TA = TJ.

PARAMETER	TEST CONDITIONS	MIN	TYP	MAX	UNITS
Supply Current Section					
IDD	No Output Load, SLEEP ≤ 0.5V		280	450	µA
	SLEEP > AVDD – 0.5V		1	3	µA
RVDD	AVDD to DVDD	1.0	2	3.0	kΩ
RCAT	AVDD to CAT	15	20	32	Ω
Receiver Section					
Input Referred Noise	(Note 1)		10		$\frac{\mu A}{\sqrt{Hz}}$
Detection Threshold			200	400	nA
DetectionThreshold Signal to Noise Ratio	IDET = 200nA (Note 1)		11.8		
Lower Band Limit	(Note 1)		50		kHz
Upper Band Limit	(Note 1)		1		MHz
Output Pulse Width	IDET = 200nA Peak to 20mA Peak and 0 to 200µADC, 1.6µS Peak fUARTCLK = 2MHz		8.95		µS
RXX Output (VOL)	IRXX = 800µA		200	400	mV
RXX Output (VOH)	IRXX = -100µA, DVDD - RXX		200	400	mV
RXX Rise Time	10% to 90% of DVDD		150	200	nS
RXX Fall Time	90% to 10% of DVDD		100	150	nS
Transmitter Section					
ITXX	TXX = 0 to AVDD	-1		1	µA
TXX (VIH)	DVDD = 5V	0.7 • DVDD		DVDD	V
TXX (VIL)	DVDD = 5V	0		0.3 • DVDD	V
LED	TXX = 0, AVDD = 4.5V, ILED = 500mA		0.3	0.6	V
	TXX = 0, AVDD = 3V, ILED = 300mA		0.3	0.6	V
Encoder Transmit Section					
Encoder Output Pulse Width	TXMODE = VDD	1.41		2.23	µS

Note 1: Guaranteed by Design. Not 100% tested in production.

PIN DESCRIPTIONS

AGND: Ground pin for analog circuits.

AVDD: Supply pin for analog circuits. Bypass to AGND with 100nF or 1μF capacitor.

CAT: This pin is a filtered supply for PIN diode cathode. Internally connected to AGND with a 20Ω resistor. Bypass to a GND with a 4.7μF electrolytic capacitor and a 100nF ceramic capacitor.

DET: This is the input to the receiver amplifier. Connect pin diode anode to this pin.

DGND: Ground pin for digital circuits.

DVDD: Supply pin for digital circuits. Internally connected to AVDD through 2k resistor. This pin must be bypassed to DGND with a 100nf or 1μF ceramic capacitor.

LED: LED pin is the output of the transmitter section of the chip. The signal on this pin is the IrDA encoded version of the UART transmit signal.

PGND: Ground pin for the transmitter power device. This pin should be connected to the circuit board ground plane.

RSTB: This active low input signal is used to reset the encoder and decoder sections of the chip. This signal must be provided by the system during startup.

RXX: RXX is the demodulated receive signal. Normally this pin is tied to SIN signal of UART. TTL/CMOS compatible output from the receiver stage to an IrDA UART. This output is digitally decoded (pulse stretched).

SLEEP: Sleep mode select pin. A logic high on SLEEP pin puts the chip into a low current mode.

TXMODE: TXMODE is used to select the modulation mode. If TXMODE is set high (1) the signal on TXD pin will have the output pulse width of 1.6μS. If TXMODE is set low (0), the output will have the pulse width of 3/16 of the UARTCLK frequency.

If TXMODE pin is left floating, the output will default to 1.6μS pulse width.

TXX: Input from the UART. This pin is normally tied to SOUT signal of UART.

UARTCLK: Input of the system clock. This frequency must set at 16 times the IrDA data rate, and must be available from the UART.

APPLICATION INFORMATION

Figures 1 and 2 outline the IrDA SIR encoding scheme. The encoding scheme relies on a clock being present. The clock must be set to 16 times the data transmission baud rate. The encoder sends a pulse for every space (0) that is sent. On a high to low transition of TXD signal, the generation of the pulse is delayed for 7 clock cycles of

the 16XCLK before the pulse is set high for 3/16 of a bit time or 1.6μs the pulse width is selected by TXMODE. For consecutive spaces, pulses with 1 bit time delay are generated in series. If a logic 1 (mark) is sent, the encoder does not generate a pulse.

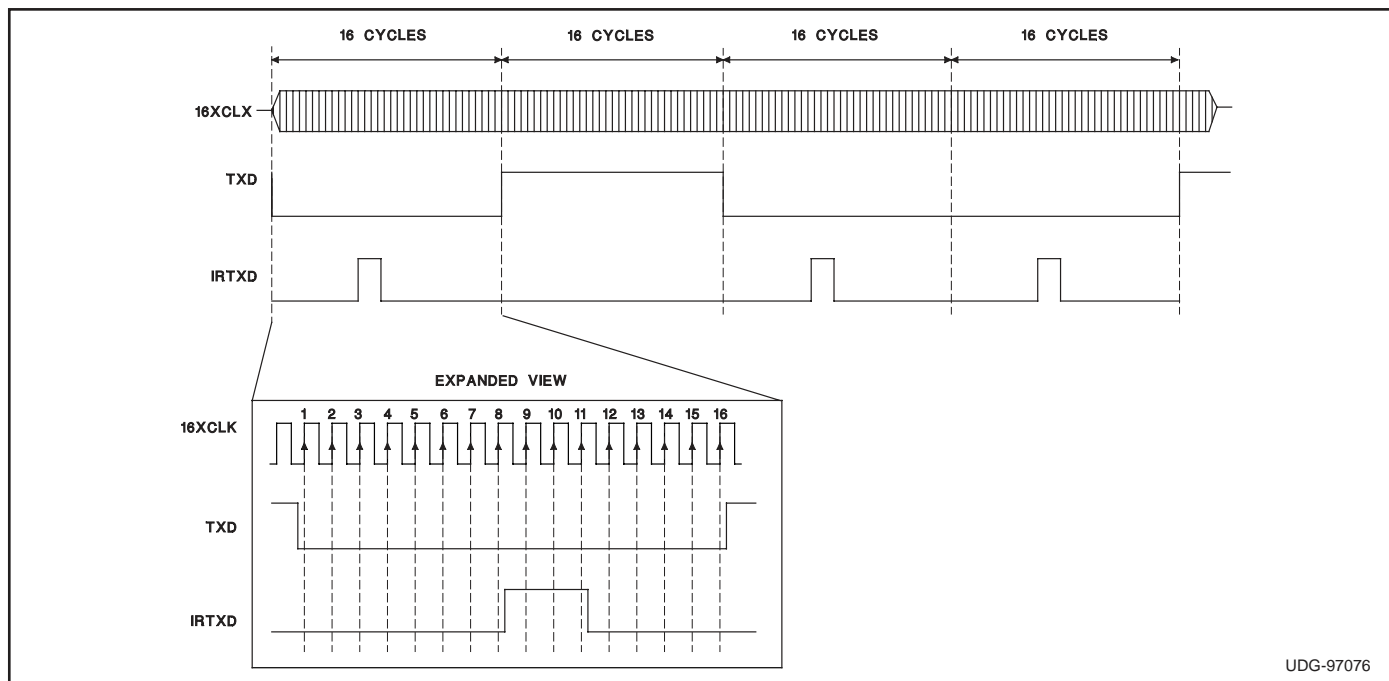


Figure 1. IrDA Encoder Timing Diagram

APPLICATION INFORMATION (cont.)

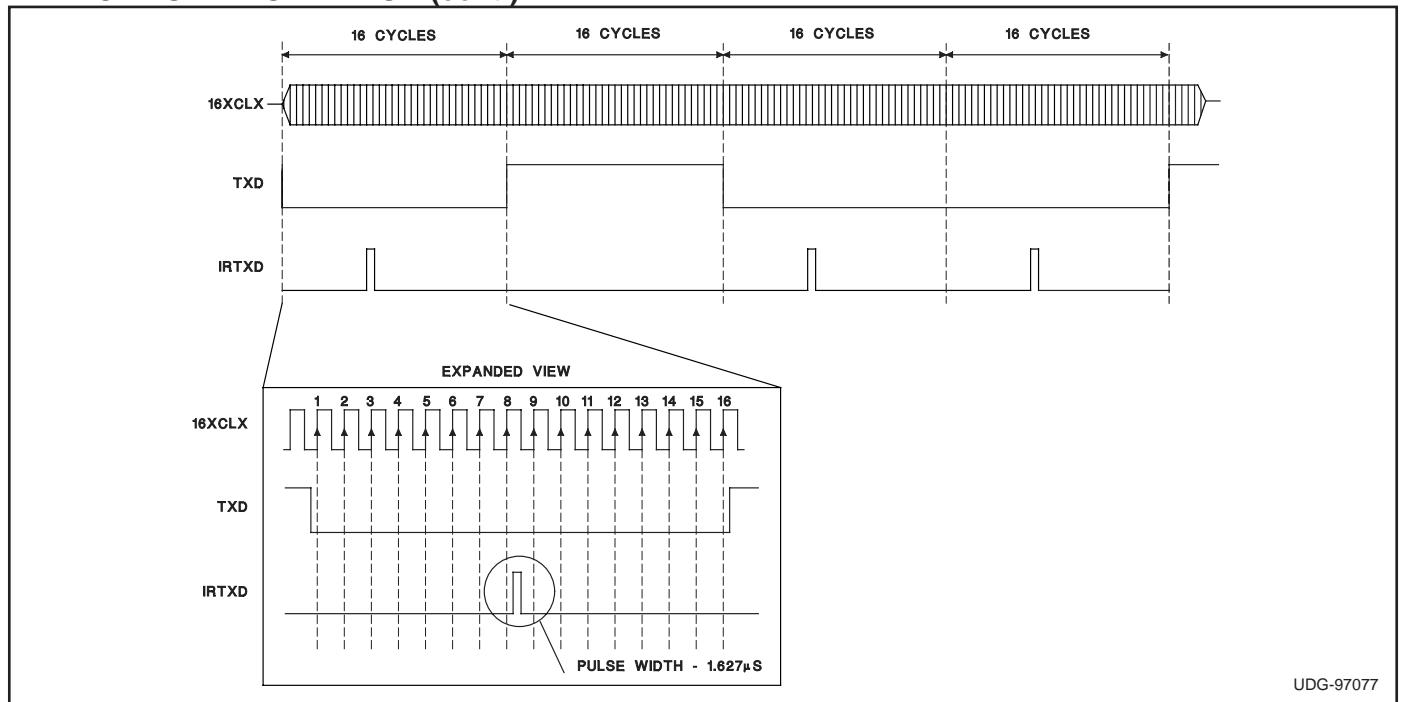


Figure 2. IrDA Encoder Timing Diagram (1.6µs Pulse Width)

The IrDA SIR decoding modulation method performs a pulse stretching function. Every high to low transition of the IRRXD line signifies an arrival of a 3/16th pulse. This pulse needs to be stretched to accommodate 1 bit time (or 16 of 16XCLK cycles). Every pulse that is received

is translated into a space (0) on the RXD output. If a series of pulses separated by 1 bit time are received, then the result is a 1 bit time low pulse for every 3/16 pulse received. The decoding scheme is shown in Figure 3.

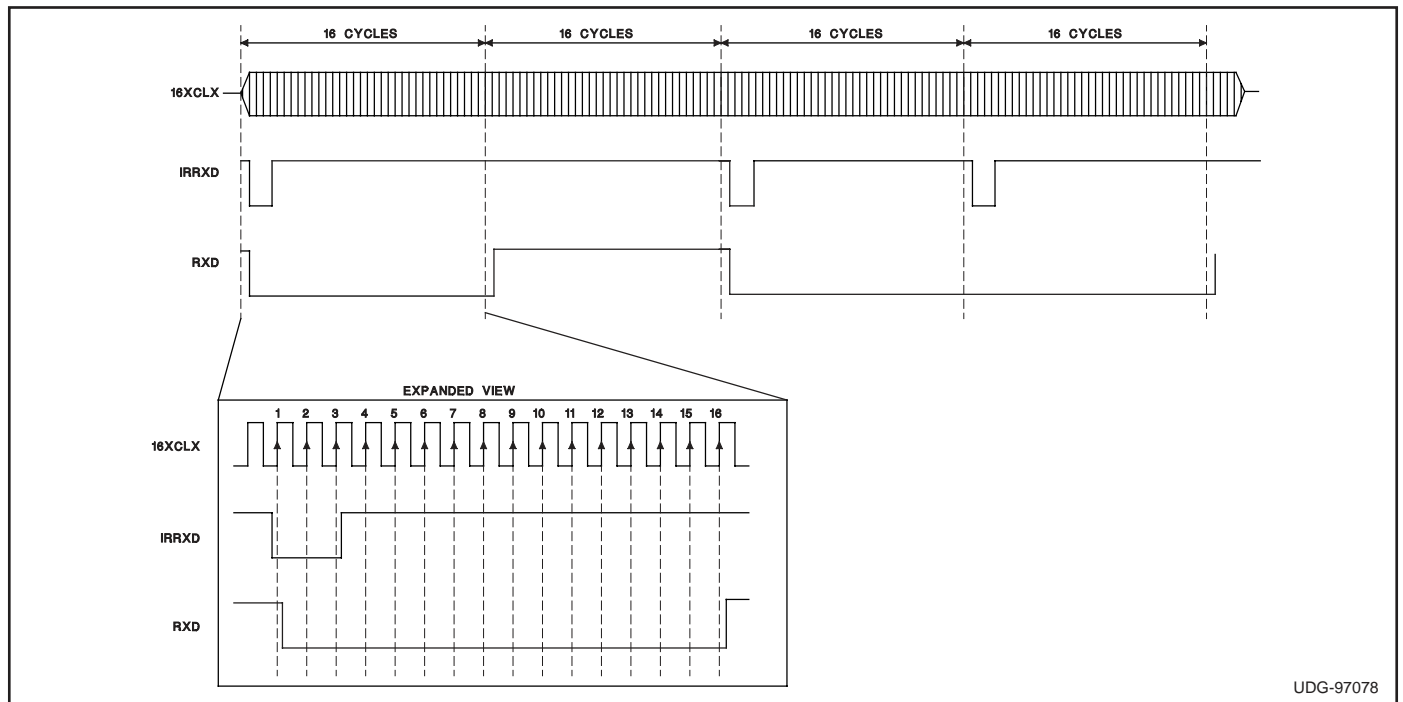


Figure 3. IrDA Decoder Timing Diagram

APPLICATION INFORMATION (cont.)

Ground Plane

There are 3 ground connections shown on the application drawing. They represent the sensitive analog ground, the dirty digital ground, and the high current transmitter ground. These 3 points can simply be geographic groupings of connections to a ground plane. If a ground plane is not used, other provision to isolate the analog and digital ground currents should be provided. The use of a ground plane is strongly recommended.

DET Considerations

The DET circuit board trace should be surrounded with AGND in order to shield leakage noise from DET. The DET circuit board trace length should be minimized. Since the PIN diode connected to DET is capacitive, noise coupling to the cathode of the diode will be coupled directly to DET. For this reason, the 100nF capacitor on CAT should be located physically close to the cathode of the PIN diode.

There is natural parasitic coupling from RXX to DET. RXX should be routed to minimize the parasitic capacitive coupling from RXX to DET.

Analog Power Supply De-coupling

The UCC5343 has a highly sensitive amplifier section capable of detecting extremely low current levels (200nA typical). Achieving this sensitivity requires quiet analog power supply rails. A 100nF high frequency capacitor in close proximity to AVDD and AGND is required for quiet analog rails.

The transmitter section of the chip runs from the AVDD supply and draws high peak currents (~ 500 mA in a typical application). A bulk capacitor may be required physically close to the AVDD and AGND pins if the connection length to the power supply is long or if the supply is or appears to be relatively high impedance. This bulk capacitor is in addition to the 100nF high frequency capacitor mentioned above. The bypass capacitors on CAT and AVDD should present very low equivalent series resistance and inductance to the circuit.

Digital Power Supply

DVDD is fed directly from AVDD through an internal 2k resistor. The DVDD bypass cap handles all transient current produced by the digital section of the chip. If more drive is required from RXX than the internal 2k resistor will allow, an external resistor can shunt it. This technique should always be accompanied by increasing the value of the de-coupling capacitor on DVDD and AVDD.

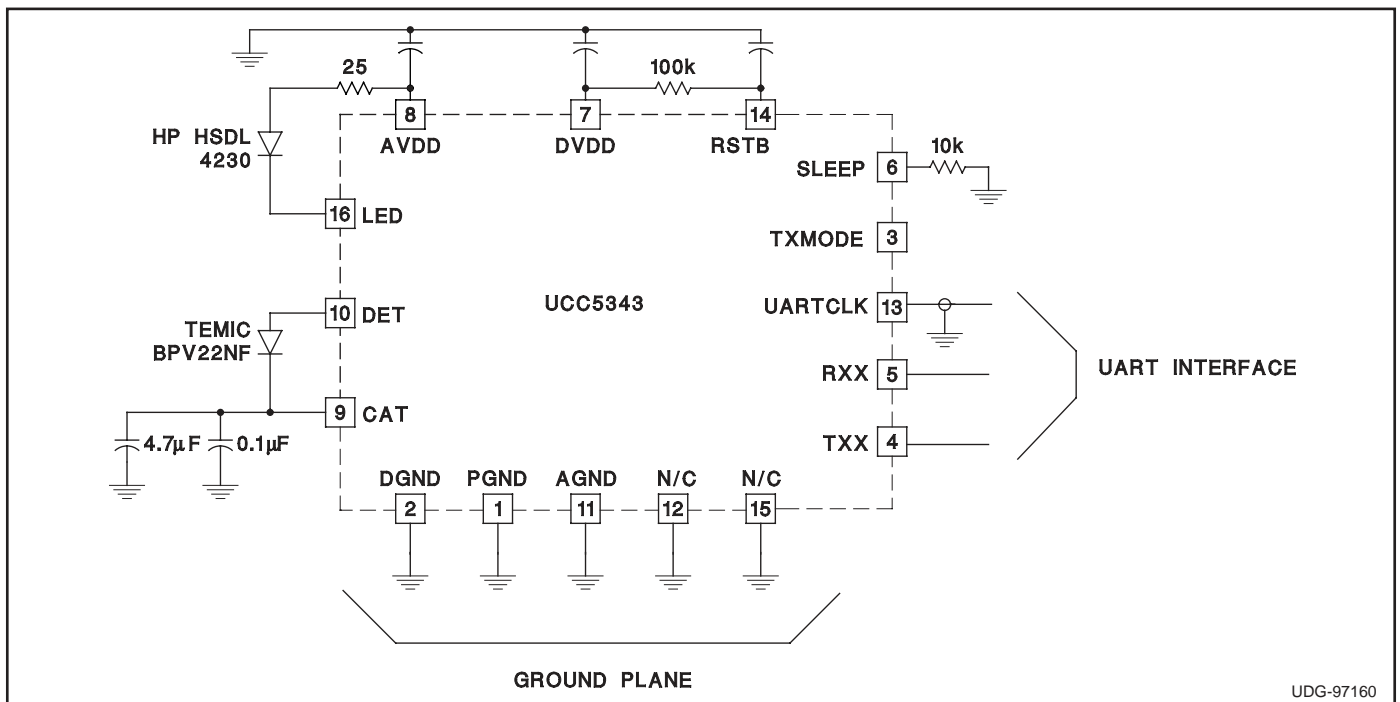


Figure 4. IrDA Transceiver with UART Encoder/Decoder Logic

PACKAGING INFORMATION

Orderable Device	Status ⁽¹⁾	Package Type	Package Drawing	Pins	Package Qty	Eco Plan ⁽²⁾	Lead/Ball Finish	MSL Peak Temp ⁽³⁾
UCC5343D	OBSOLETE		UTR	16		TBD	Call TI	Call TI
UCC5343M	OBSOLETE		UTR	16		TBD	Call TI	Call TI
UCC5343N	OBSOLETE		UTR	16		TBD	Call TI	Call TI

⁽¹⁾ The marketing status values are defined as follows:

ACTIVE: Product device recommended for new designs.

LIFEBUY: TI has announced that the device will be discontinued, and a lifetime-buy period is in effect.

NRND: Not recommended for new designs. Device is in production to support existing customers, but TI does not recommend using this part in a new design.

PREVIEW: Device has been announced but is not in production. Samples may or may not be available.

OBSOLETE: TI has discontinued the production of the device.

⁽²⁾ Eco Plan - The planned eco-friendly classification: Pb-Free (RoHS) or Green (RoHS & no Sb/Br) - please check <http://www.ti.com/productcontent> for the latest availability information and additional product content details.

TBD: The Pb-Free/Green conversion plan has not been defined.

Pb-Free (RoHS): TI's terms "Lead-Free" or "Pb-Free" mean semiconductor products that are compatible with the current RoHS requirements for all 6 substances, including the requirement that lead not exceed 0.1% by weight in homogeneous materials. Where designed to be soldered at high temperatures, TI Pb-Free products are suitable for use in specified lead-free processes.

Green (RoHS & no Sb/Br): TI defines "Green" to mean Pb-Free (RoHS compatible), and free of Bromine (Br) and Antimony (Sb) based flame retardants (Br or Sb do not exceed 0.1% by weight in homogeneous material)

⁽³⁾ MSL, Peak Temp. -- The Moisture Sensitivity Level rating according to the JEDEC industry standard classifications, and peak solder temperature.

Important Information and Disclaimer:The information provided on this page represents TI's knowledge and belief as of the date that it is provided. TI bases its knowledge and belief on information provided by third parties, and makes no representation or warranty as to the accuracy of such information. Efforts are underway to better integrate information from third parties. TI has taken and continues to take reasonable steps to provide representative and accurate information but may not have conducted destructive testing or chemical analysis on incoming materials and chemicals. TI and TI suppliers consider certain information to be proprietary, and thus CAS numbers and other limited information may not be available for release.

In no event shall TI's liability arising out of such information exceed the total purchase price of the TI part(s) at issue in this document sold by TI to Customer on an annual basis.

IMPORTANT NOTICE

Texas Instruments Incorporated and its subsidiaries (TI) reserve the right to make corrections, modifications, enhancements, improvements, and other changes to its products and services at any time and to discontinue any product or service without notice. Customers should obtain the latest relevant information before placing orders and should verify that such information is current and complete. All products are sold subject to TI's terms and conditions of sale supplied at the time of order acknowledgment.

TI warrants performance of its hardware products to the specifications applicable at the time of sale in accordance with TI's standard warranty. Testing and other quality control techniques are used to the extent TI deems necessary to support this warranty. Except where mandated by government requirements, testing of all parameters of each product is not necessarily performed.

TI assumes no liability for applications assistance or customer product design. Customers are responsible for their products and applications using TI components. To minimize the risks associated with customer products and applications, customers should provide adequate design and operating safeguards.

TI does not warrant or represent that any license, either express or implied, is granted under any TI patent right, copyright, mask work right, or other TI intellectual property right relating to any combination, machine, or process in which TI products or services are used. Information published by TI regarding third-party products or services does not constitute a license from TI to use such products or services or a warranty or endorsement thereof. Use of such information may require a license from a third party under the patents or other intellectual property of the third party, or a license from TI under the patents or other intellectual property of TI.

Reproduction of information in TI data books or data sheets is permissible only if reproduction is without alteration and is accompanied by all associated warranties, conditions, limitations, and notices. Reproduction of this information with alteration is an unfair and deceptive business practice. TI is not responsible or liable for such altered documentation.

Resale of TI products or services with statements different from or beyond the parameters stated by TI for that product or service voids all express and any implied warranties for the associated TI product or service and is an unfair and deceptive business practice. TI is not responsible or liable for any such statements.

Following are URLs where you can obtain information on other Texas Instruments products and application solutions:

Products		Applications	
Amplifiers	amplifier.ti.com	Audio	www.ti.com/audio
Data Converters	dataconverter.ti.com	Automotive	www.ti.com/automotive
DSP	dsp.ti.com	Broadband	www.ti.com/broadband
Interface	interface.ti.com	Digital Control	www.ti.com/digitalcontrol
Logic	logic.ti.com	Military	www.ti.com/military
Power Mgmt	power.ti.com	Optical Networking	www.ti.com/opticalnetwork
Microcontrollers	microcontroller.ti.com	Security	www.ti.com/security
		Telephony	www.ti.com/telephony
		Video & Imaging	www.ti.com/video
		Wireless	www.ti.com/wireless

Mailing Address: Texas Instruments
Post Office Box 655303 Dallas, Texas 75265