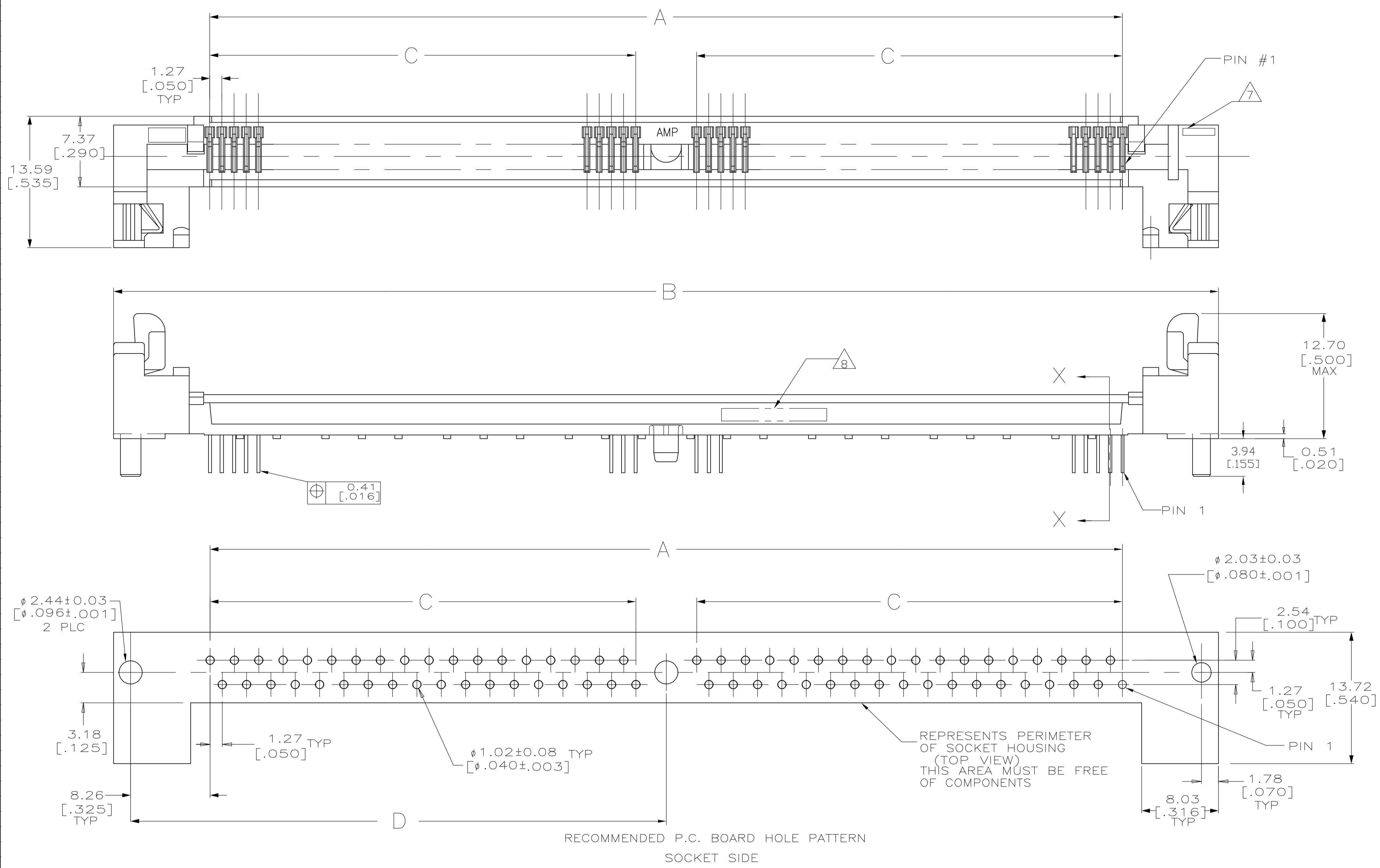
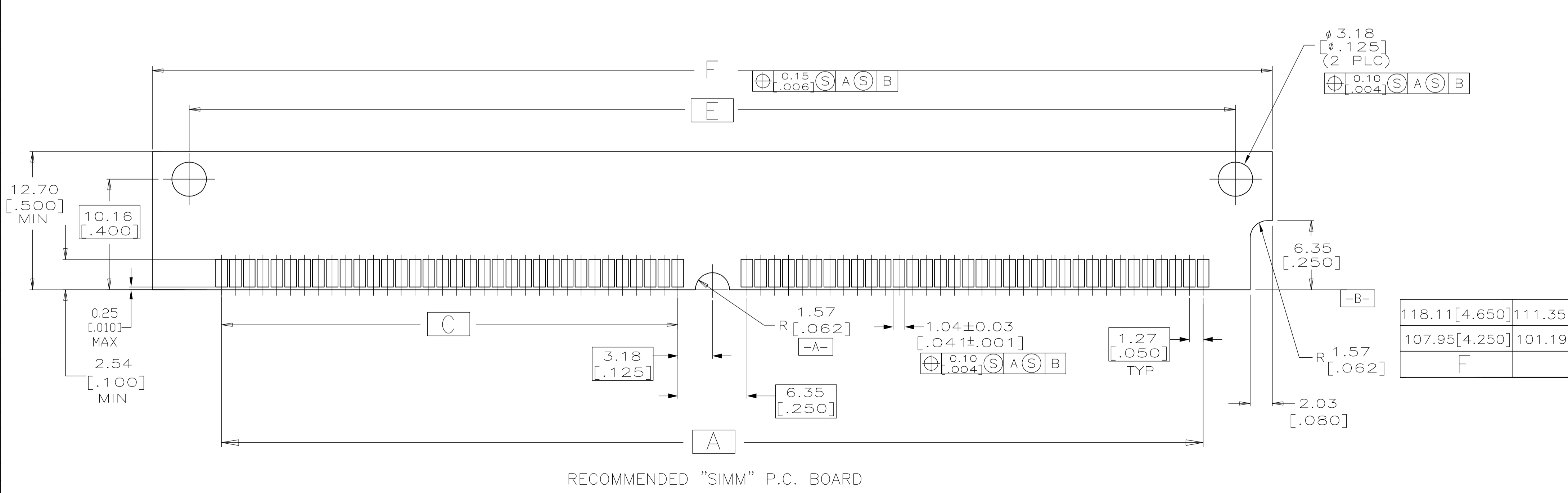
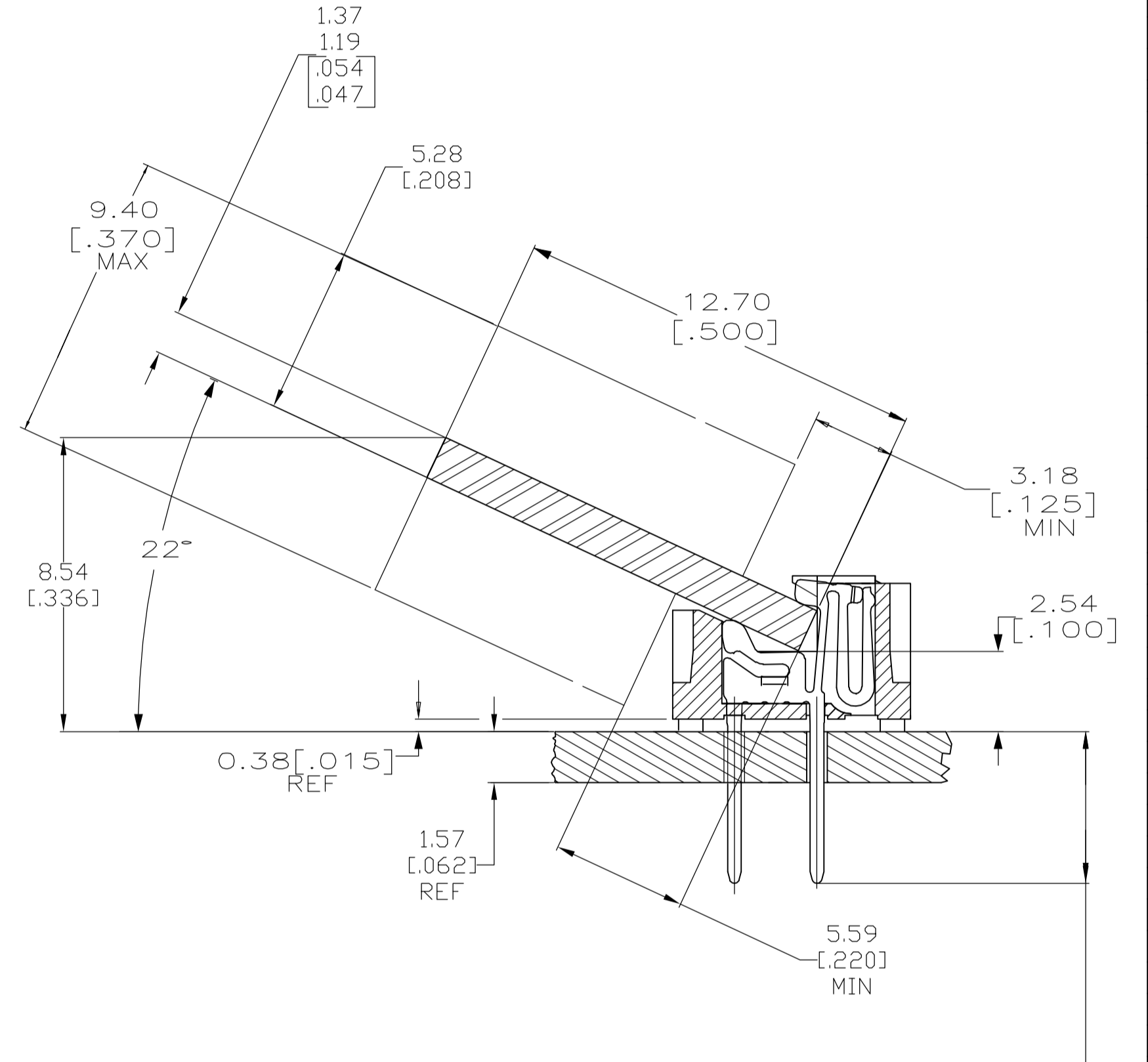


LOC		DIST		REVISIONS			
AG	00	P	L/R	DESCRIPTION	DATE	DN	APVD
				B	REVISED PER ECO-06-007841	19JUL06	JDP MB



- △ HOUSING-MATERIAL : LIQUID-CRYSTAL-POLYMER, NATURAL COLOR.
- △ CONTACT-MATERIAL : PHOS. BRONZE.
- △ LATCH-MATERIAL : STAINLESS STEEL.
- △ CONTACT-PLATE: 0.00508[.000200] MIN. MATTE TIN OVER 0.00127 [.000050] MIN NICKEL.
- 5. IN ADDITION TO THOSE RECOMMENDED "SIMM" P.C. BOARD DIMENSIONS AND TOLERANCES SHOWN, ALL JEDEC SPECIFICATIONS APPLY AS SHOWN ON MO-116, ISSUE A.
- 6. RECOMMENDED MATING S.I.M.M. TAB METALLURGY: BASE METAL-COPPER. PLATING TO BE 0.00762[.000300] MIN TIN/LEAD OVER 0.00127[.000050] MIN NICKEL.
- △ 'S' IDENTIFIER LOCATED APPROXIMATELY AS SHOWN.
- △ DATE CODE INFORMATION (YEAR WEEK), LOCATED APPROXIMATELY AS SHOWN ON OPPOSITE SIDE ONLY.



118.11[4.650]	111.35[4.384]	60.96[2.400]	49.53[1.950]	125.48[4.940]	105.41[4.150]	80	5822469-4
107.95[4.250]	101.19[3.984]	55.88[2.200]	44.45[1.750]	115.32[4.540]	95.25[3.750]	72	5822469-3
F	E	D	C	B	A	NO. OF POSN	PART NO

THIS DRAWING IS A CONTROLLED DOCUMENT.

DIMENSIONS: mm [INCHES]	TOLERANCES UNLESS OTHERWISE SPECIFIED:	0 PLC ± -	1 PLC ± -	2 PLC ± 0.13 [0.005]	3 PLC ± -	4 PLC ± -	ANGLES ± -
MATERIAL	FINISH	WEIGHT	SIZE	CAGE CODE	DRAWING NO	RESTRICTED TO	
1 2 3	4		A1	00779	5822469		

CUSTOMER DRAWING SCALE 4:1 SHEET 1 OF 1 REV B