

THIS DRAWING IS UNPUBLISHED.

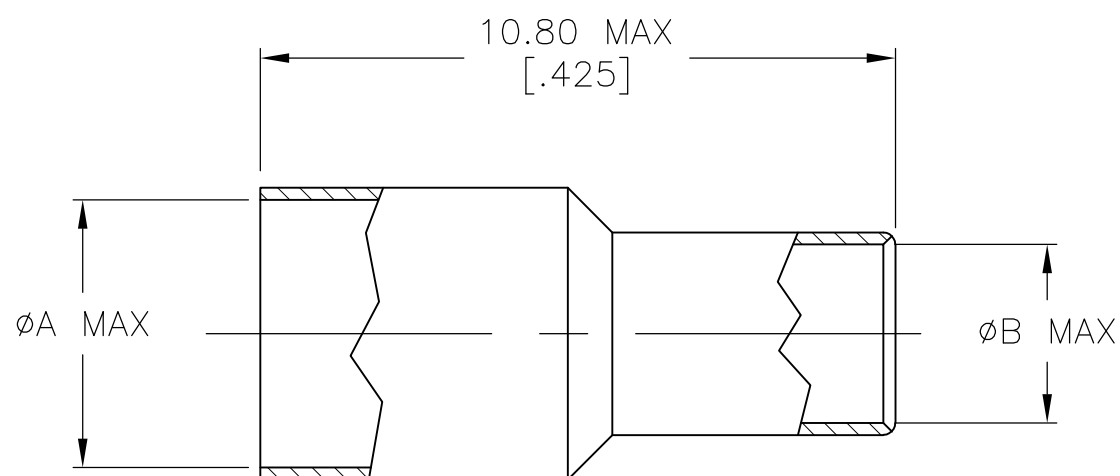
RELEASED FOR PUBLICATION

REVISIONS

© COPYRIGHT - By -


ALL RIGHTS RESERVED.

P	LTR	DESCRIPTION	DATE	DWN	APVD
	T5	REVISED PER ECR-17-009545	08AUG2017	AS	RS



- 1 SILVER PLATE PER QQ-S-365
5.08 μm [.000200] MINIMUM THICK.
- 2 TIN-LEAD PLATE PER ASTM-B-545
2.54 μm [.000100] MINIMUM THICK,
WITH SUPPLEMENTAL ANTI FRETTING LUBRICANT.
- 3 GOLD PLATE PER MIL-G-45204
0.76 μm [.000030] MINIMUM THICK.
- 4 MATTE TIN PLATE PER ASTM-B-545
2.54 μm [.000100] MINIMUM THICK,
WITH SUPPLEMENTAL ANTI FRETTING LUBRICANT.
- 5 BRIGHT TIN PLATE PER ASTM-B-545
2.54 μm [.000100] MINIMUM THICK,
WITH SUPPLEMENTAL ANTI FRETTING LUBRICANT.
- 6 328666 REPLACED BY 9-328666-3

	3.05 [.120]	4.55 [.179]	5	9-328666-4
	3.05 [.120]	3.86 [.152]	1	9-328666-3
	3.73 [.147]	4.55 [.179]	4	9-328666-2
	3.05 [.120]	3.86 [.152]	4	9-328666-1
	3.05 [.120]	4.55 [.179]	4	9-328666-0
	3.40 [.134]	4.55 [.179]	2	3-328666-9
	5.03 [.198]	5.51 [.217]	2	3-328666-6
OBSOLETE	3.73 [.147]	4.55 [.179]	2	3-328666-3
	3.05 [.120]	3.86 [.152]	2	2-328666-7
	3.05 [.120]	4.55 [.179]	3	2-328666-6
OBSOLETE	3.05 [.120]	4.55 [.179]	2	2-328666-5
	3.05 [.120]	4.55 [.179]	1	2-328666-3
OBSOLETE	3.05 [.120]	3.86 [.152]	1	328666
	B	A	FINISH	PART NUMBER

THIS DRAWING IS A CONTROLLED DOCUMENT.		DWN J. LIPPERT 28MAR01	 TE Connectivity		
DIMENSIONS: mm [INCHES]		CHK R.E.RUTH 7/27/90			
TOLERANCES UNLESS OTHERWISE SPECIFIED:		APVD M. SNEED 7/27/90	NAME		
0 PLC $\pm -$ 1 PLC $\pm -$ 2 PLC $\pm -$ 3 PLC $\pm -$ 4 PLC $\pm -$ ANGLES $\pm -$		PRODUCT SPEC	FERRULE		
		APPLICATION SPEC	RESTRICTED TO		
MATERIAL COPPER ALLOY	FINISH SEE TABLE	WEIGHT 0.000000	SIZE A3	CAGE CODE 00779	DRAWING NO C-328666
CUSTOMER DRAWING			SCALE 1:1	SHEET 1 OF 1	REV T5