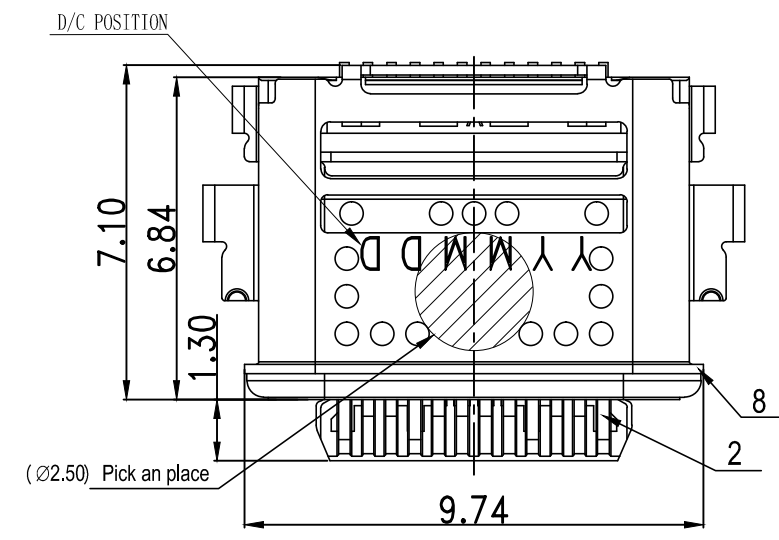


This document is the property of Amphenol Corporation and is delivered on the express condition that it is not to be disclosed, reproduced or used, in whole or in part, for manufacture or sale by anyone other than Amphenol Corporation without its prior consent, & that no right is granted to disclose or to use any information in this document.

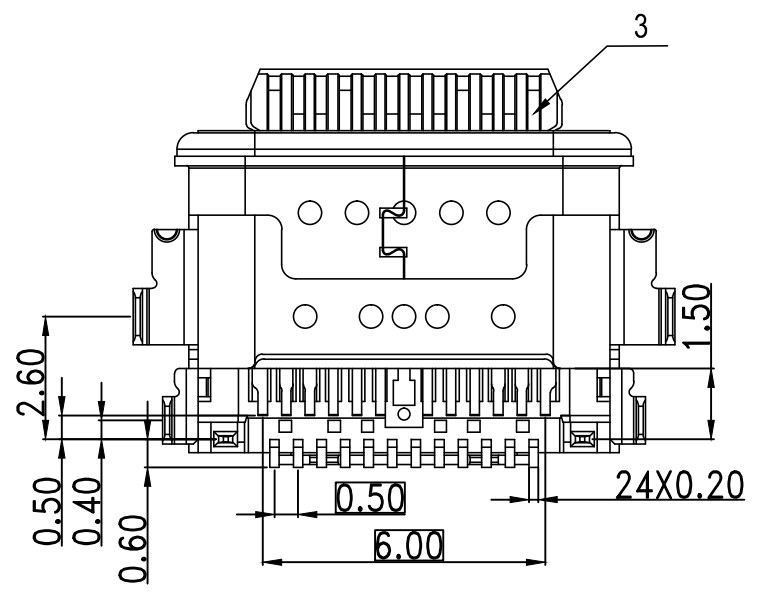
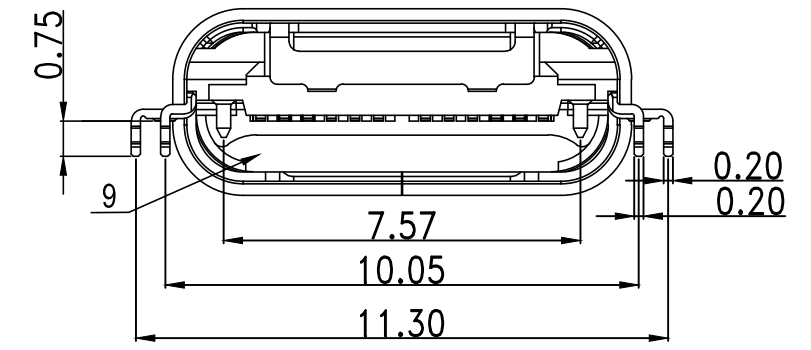
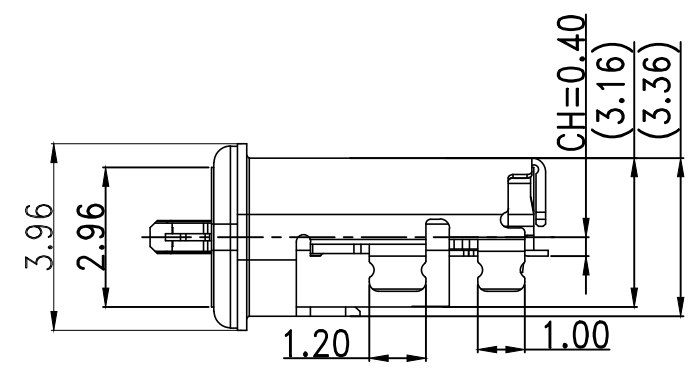
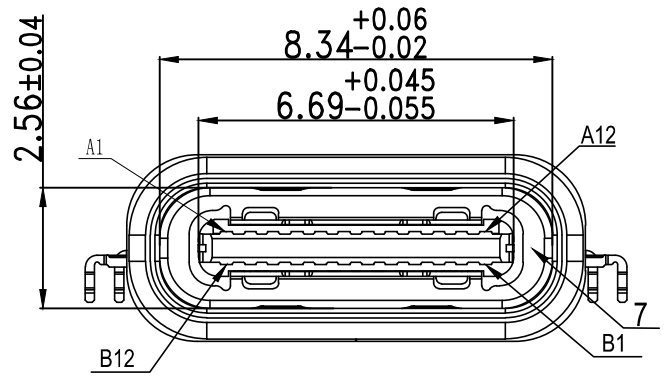
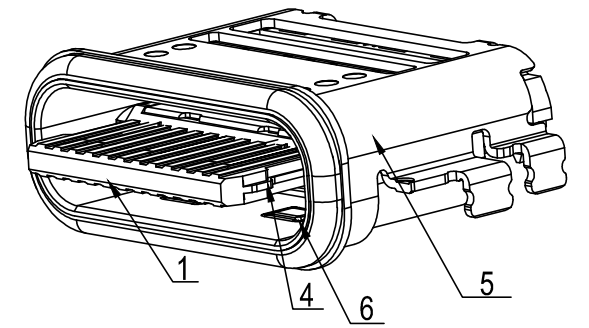
CUSTOMER DRAWING

REVISIONS				
SYM	ECN	DESCRIPTION	DATE	APPROVED
X1	HKXXXX	NEW RELEASE	2021/08/17	Michael.lip
X2	HKXXXX	Increase size	2021/11/25	Michael.Qin



Pin定义

A1	A2	A3	A4	A5	A6	A7	A8	A9	A10	A11	A12
GND	TX1+	TX1-	Vbus	CC1	D+	D-	SBU1	Vbus	RX2-	RX2+	GND
GND	RX1+	RX1-	Vbus	SBU2	D-	D+	CC2	Vbus	TX2-	TX2+	GND
B12	B11	B10	B9	B8	B7	B6	B5	B4	B3	B2	B1



HF(无卤)	√
Non-HF(有卤)	

ITEM	DESCRIPTION	Q'TY	MATERIAL
9	GLUE	1	N/A
8	OUTER GASKET	1	N/A
7	SMALL SHELL (EMC)	1	STAINLESS STEEL
6	MAIN SHELL	1	STAINLESS STEEL
5	OUTOR SHELL	1	STAINLESS STEEL
4	MID PLATE	1	STAINLESS STEEL
3	BOTTOM TERMINAL	1	COPPER ALLOY
2	TOP TERMINAL	1	COPPER ALLOY
1	MOLDING HOUSING	1	HIGH TEMPERATURE PLASTIC

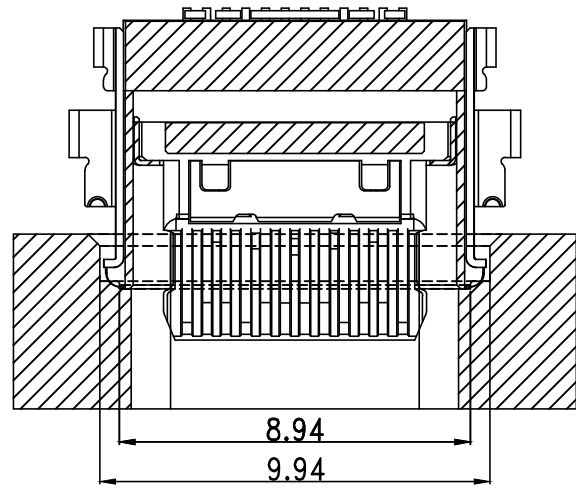
BILL OF MATERIAL			
UNLESS OTHERWISE SPECIFIED TOLERANCES		APPROVAL	DATE
.X	+/-	DRAWN	Huiwen.Liu 11/25/21*
.XX	+/-	CHECKED	Michael.Qin 11/25/21*
.XXX	+/-	CHECKED	Michael.Qin
FRACTIONS	+/-	DRAWING FILE :	
ANGLES	+/-	ANGLE OF PROJECTION	
FOR MATERIALS AND FINISHES SEE NOTES		TITLE	
REMOVE SHARP EDGES		Customer Drawing For	
DIMENSIONS		USB Type C socket connector,	
U.S.	INCHES	SIZE	DRAWING NO.
(METRIC)	(MM)	A3	C 12402136
		SCALE	NONE
		SHEET 1 OF 2	

Amphenol
Amphenol East Asia Limited
Customer Drawing For
USB Type C socket connector,
R/A ,Double SMT type,
CH=0.40mm, Waterproof IP68

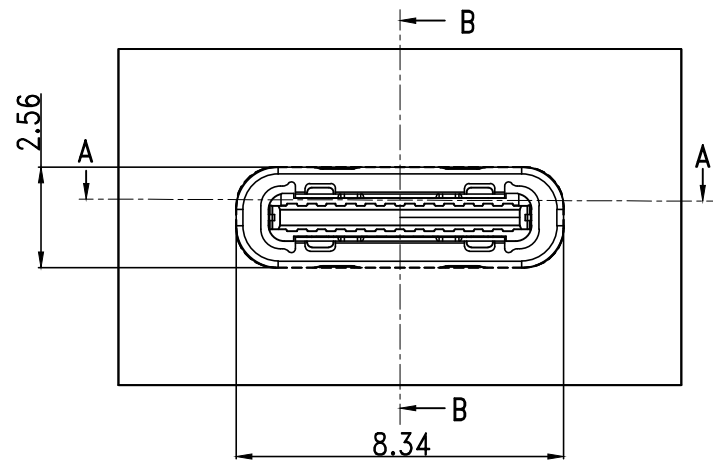
This document is the property of Amphenol Corporation and is delivered on the express condition that it is not to be disclosed, reproduced or used, in whole or in part, for manufacture or sale by anyone other than Amphenol Corporation without its prior consent, & that no right is granted to disclose or to use any information in this document.

CUSTOMER DRAWING

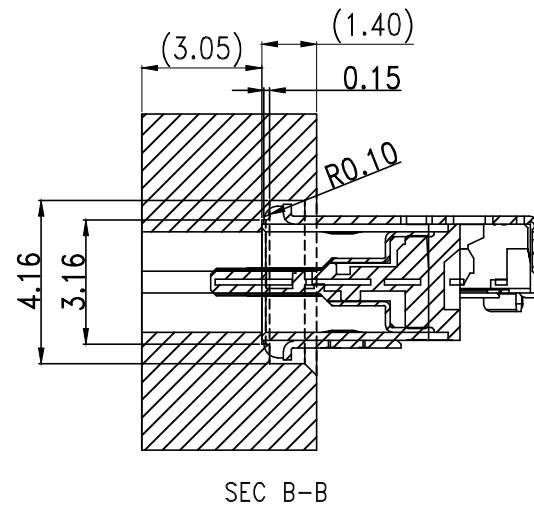
REVISIONS				
SYM	ECN	DESCRIPTION	DATE	APPROVED
See page 1				



SEC A-A



Recommended Case/推荐的外壳布局
General Tolerances: ±0.05/一般公差: ±0.05



SEC B-B

NOTES/注释:

- MATERIAL/材料: SEE TABLE/见下表
- Waterproof class IP68 IP68/防水等级 IP68
- Dimensioning shall be interpreted per ASME Y14.5M 1994.
尺寸标注基于ASME Y14.5M 1994标准规范
- Material should be fulfilled Amphenol spec.# S-SN-002,
For halogen free products, also need to meet S-SN-004.
产品材料环保标准为Amphenol SSN#002,如果是无卤产品需满足标准SSN#004
- As for welding, there are possibilities that the number of welding and position change.
焊接, 也有焊接数量和位置变化的可能性。
- Discoloration might occur at welded area
焊接区域可能出现变色
- Shell length is shorter compare to reference value of USB Type-C standard.
Please check mating depth with case(housing) to satisfy mechanical function.
外壳长度比USB Type-C标准的参考值更短
请检查与外壳的配合深度, 以满足机械功能
- There is possibility that the shell discolors after heating
壳体加热后有变色的可能
- Laser welds may be discolor.also the weld may swell.
激光焊接可能会变色。焊缝也可能膨胀。

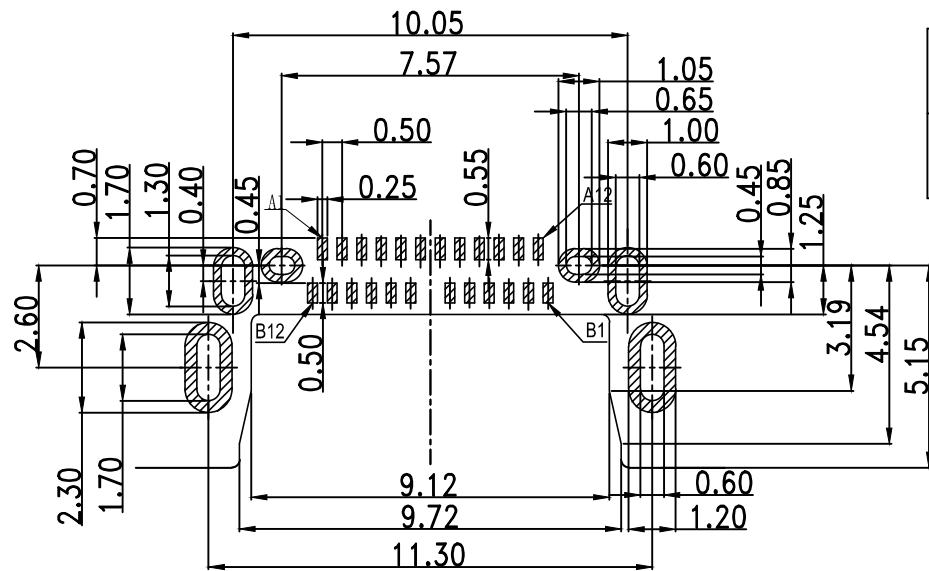
10.ORDER P/N SYSTEM/产品料号编码系统 : 12402136E512A

Plating Spec:

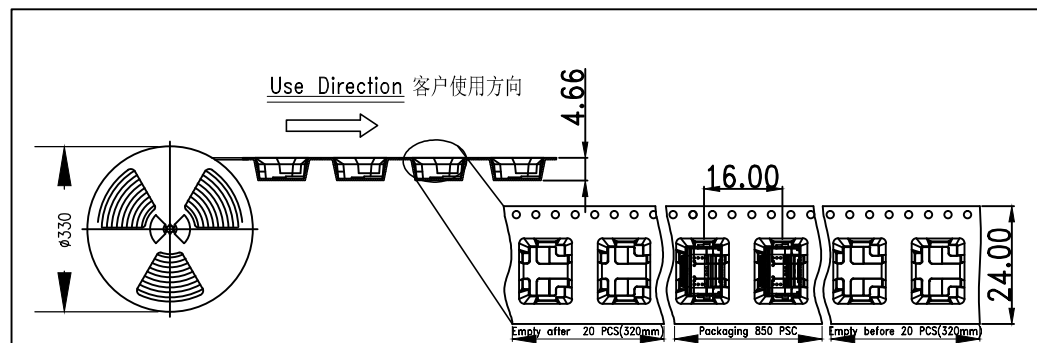
E5: Mating Area: Au 30u"(0.76um) Min
Solder Area: Gold flash
50u"(1.27um)Min Nickel Under Plating Over All

A:HF
Package Spec.
2:Reel
Date Code Description
0:Without D/C
1:With D/C

HF(无卤)	√
Non-HF(有卤)	



RECOMMENDED PCB LAYOUT
(Tolerance=±0.05)



UNLESS OTHERWISE SPECIFIED TOLERANCES		APPROVAL	DATE	Amphenol
	U.S. METRIC	DRAWN	Huiwen.Liu 11/25/21*	
.X	+/- 0.50	CHECKED	Michael.Qin 11/25/21*	Amphenol East Asia Limited
.XX	+/- 0.25	CHECKED	Michael.Qin	
.XXX	+/- 0.10	DRAWING FILE :		TITLE
FRACTIONS +/-	3'			Customer Drawing For
ANGLES +/-				USB Type C socket connector,
FOR MATERIALS AND FINISHES SEE NOTES				R/A ,Double SMT type,
REMOVE SHARP EDGES				CH=0.40mm, Waterproof IP68
DIMENSIONS				SIZE
U.S. INCHES				A3
(METRIC) (MM)				DRAWING NO.
				C 12402136
ANGLE OF PROJECTION				REV.
SCALE				X2
NONE				SHEET 2 OF 2