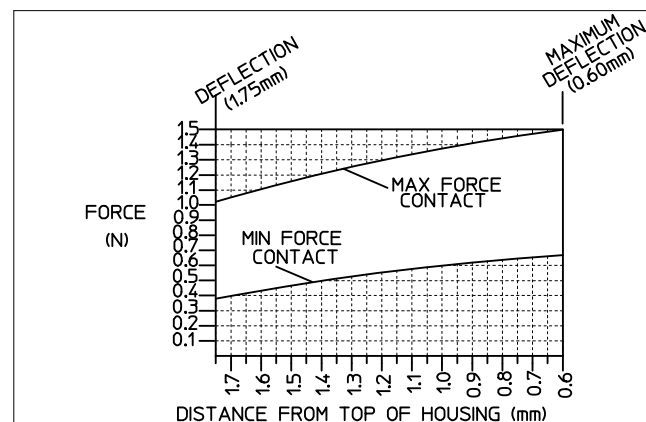
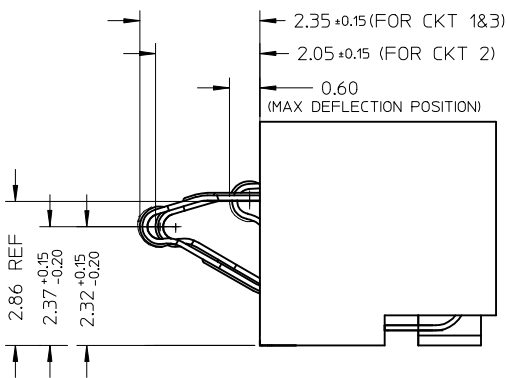
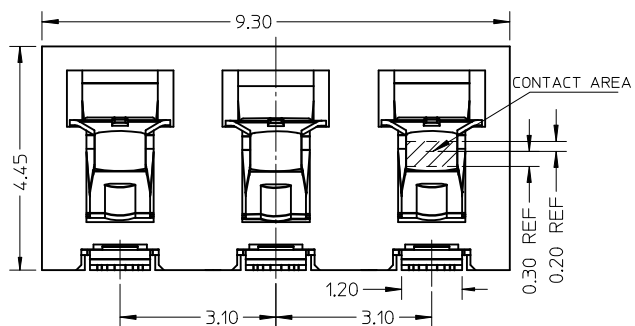
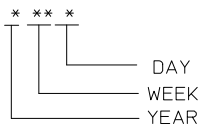


RECOMMENDED PCB LAYOUT
TOLERANCE: +/-0.05mm



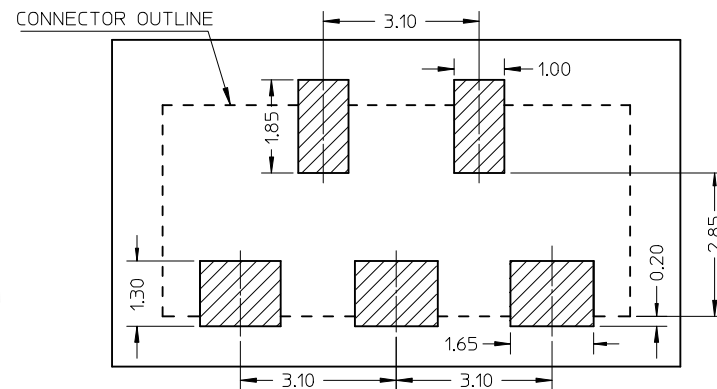
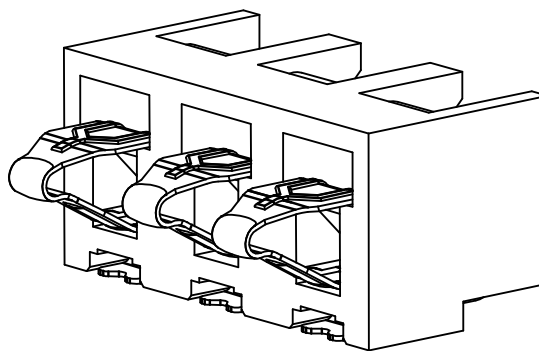
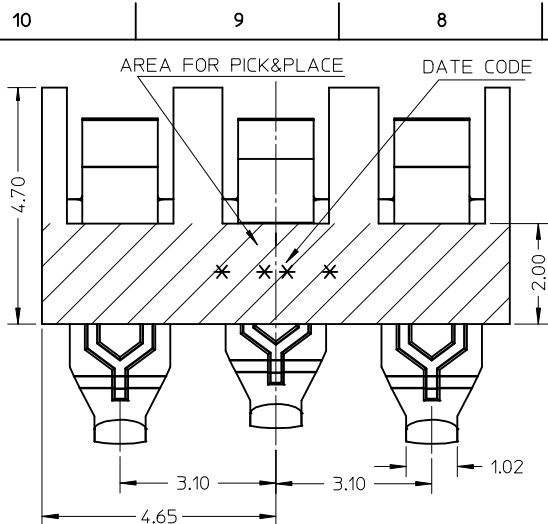
- MATERIALS.
HOUSING: PA4T, UL94 V-0. BLACK.
TERMINAL: COPPER ALLOY 0.10 REF THICKNESS.
NAIL: COPPER ALLOY 0.20 REF THICKNESS.
TERMINAL PLATING: GOLD FLASH IN SOLDER AREA.
0.76um GOLD OVER 2.5um Min NICKEL IN CONTACT AREA ON DOME.
NAIL PLATING: 3um MIN TIN.

2. DATE CODE CONSISTING OF * * * *

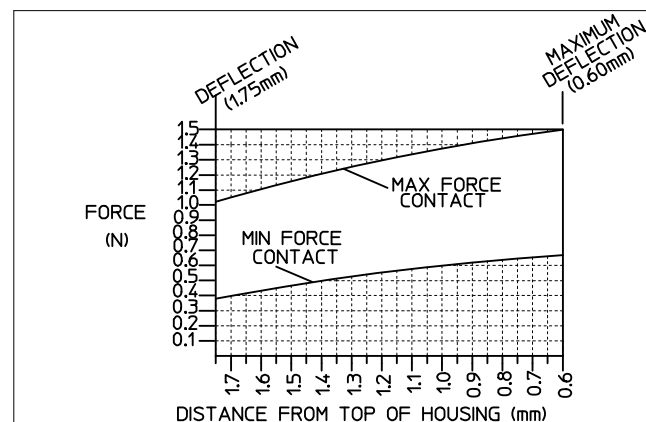
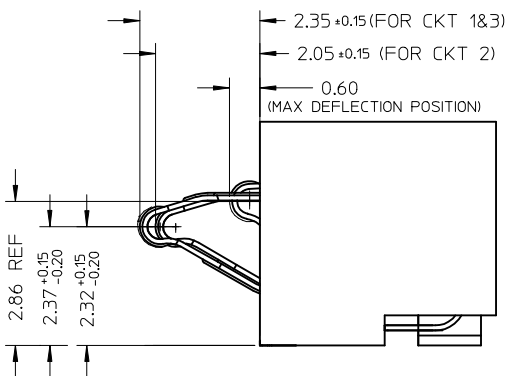
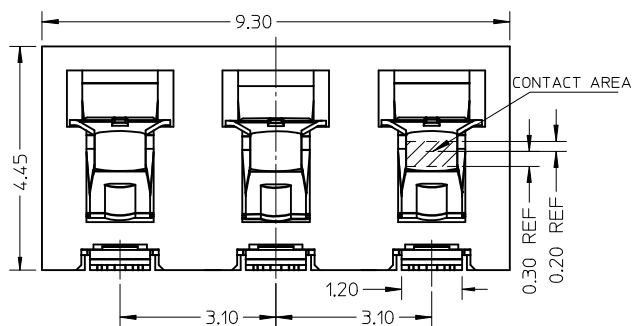


- 0.10MM COPLANARITY AMONG TERMINAL SOLDER TAILS AND FITTING NAILS.
- PRODUCT SPECIFICATION PS-105051-001
- PACKAGING SPECIFICATION PK-105051-001.

NEW DRAWING IEC NO: S2015-1012 DRWN: JZENG 2015/06/19 CHKD: JTAN02 2015/06/29 APPR: KHL IM 2015/07/14	QUALITY SYMBOLS F ₀ =0 F ₀ =0 F ₀ =0	GENERAL TOLERANCES (UNLESS SPECIFIED)		DIMENSION STYLE	SCALE	DESIGN UNITS	THIRD ANGLE PROJECTION	
				MM ONLY		METRIC		
		4 PLACES ± --- ± ---	mm	INCH	DRAWN BY	DATE		TITLE
		3 PLACES ± --- ± ---			JZENG	2015/06/19		3CKT BATT CONN R/A 4.45MM HEIGH
		2 PLACES ± 0.15 ± ---						
		1 PLACE ± 0.20 ± ---						
		0 PLACE ± --- ± ---						
		ANGULAR ± 3 °		APPROVED BY	DATE			
		DRAFT WHERE APPLICABLE MUST REMAIN WITHIN DIMENSIONS		KHL IM	2015/07/14			
				MATERIAL NO.	DOCUMENT NO.			
				1050511000	SD-105051-1000			
				SIZE A3	THIS DRAWING CONTAINS INFORMATION THAT IS PROPRIETARY TO MOLEX INCORPORATED AND SHOULD NOT BE USED WITHOUT WRITTEN PERMISSION		SHEET NO. 1 OF 1	



RECOMMENDED PCB LAYOUT
TOLERANCE: +/-0.05mm



- MATERIALS.
HOUSING: PA4T, UL94 V-0. BLACK.
TERMINAL: COPPER ALLOY 0.10 REF THICKNESS.
NAIL: COPPER ALLOY 0.20 REF THICKNESS.
TERMINAL PLATING: GOLD FLASH IN SOLDER AREA.
0.76um GOLD OVER 2.5um Min NICKEL IN CONTACT AREA ON DOME.
NAIL PLATING: 3um MIN TIN.
- DATE CODE CONSISTING OF * * * *

DAY
WEEK
YEAR
- 0.10MM COPLANARITY AMONG TERMINAL SOLDER TAILS AND FITTING NAILS.
- PRODUCT SPECIFICATION PS-105051-001
- PACKAGING SPECIFICATION PK-105051-001.

NEW DRAWING EC NO: S2015-1012 DRWN: JZENG 2015/06/19 CHKD: JTAN02 2015/06/29 APPR: KHL IM 2015/07/14	QUALITY SYMBOLS F _A =0 F _B =0 F _C =0	GENERAL TOLERANCES (UNLESS SPECIFIED)		DIMENSION STYLE	SCALE	DESIGN UNITS	THIRD ANGLE PROJECTION
				MM ONLY		METRIC	
				DRAWN BY	DATE	TITLE	
				CHECKED BY	DATE		
		4 PLACES	± --- ± ---	JZENG	2015/06/19	3CKT BATT CONN R/A 4.45MM HEIGH	
		3 PLACES	± --- ± ---	JTAN02	2015/06/19	molex	
		2 PLACES	± 0.15 ± ---	APPROVED BY	DATE		
		1 PLACE	± 0.20 ± ---	KHL IM	2015/07/14	MATERIAL NO.	DOCUMENT NO.
		0 PLACE	± --- ± ---	1050511000		SD-105051-1000	SHEET NO.
		ANGULAR ± 3 °		THIS DRAWING CONTAINS INFORMATION THAT IS PROPRIETARY TO MOLEX INCORPORATED AND SHOULD NOT BE USED WITHOUT WRITTEN PERMISSION		1 OF 1	
		DRAFT WHERE APPLICABLE MUST REMAIN WITHIN DIMENSIONS					