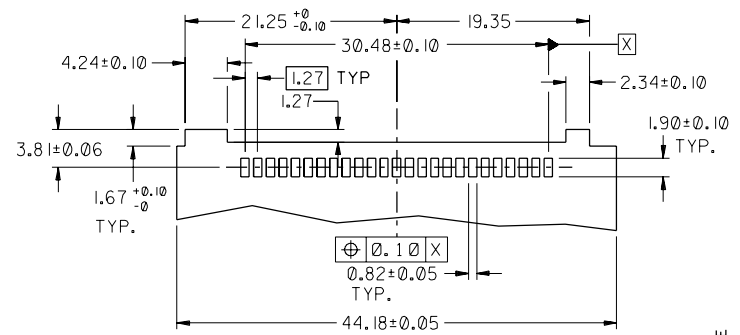
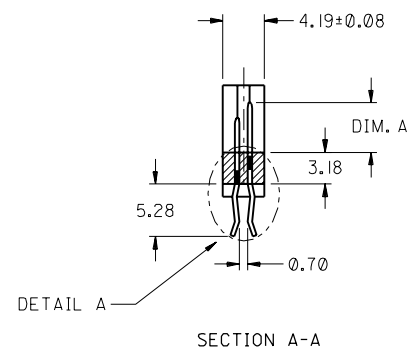
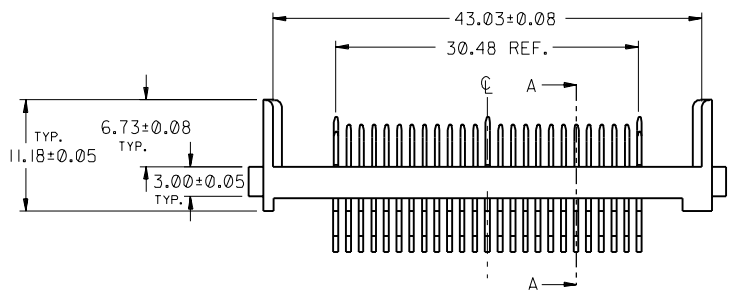
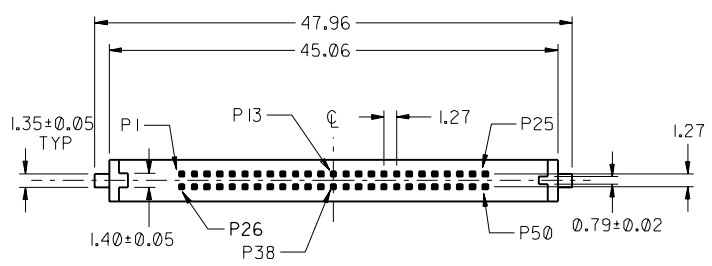


SD-67005-002

PIN TYPE	DIM. A	PIN NO.
DETECT	3.50	25,26
GENERAL	4.25	ALL OTHER PINS
POWER	5.00	1,13,38,50



RECOMMENDED PCB LAYOUT
(THICKNESS : 0.9±0.10 MM)

NEW RELEASE
T2000-0109
G.Wang 99/11/29
Wilson Chang
Mega Lin

NOTES:

1. HOUSING : HIGH TEMPERATURE PLASTIC.
2. TERMINAL : COPPER ALLOY.
3. PLATING:
CONTACT AREA: GOLD, THICKNESS=4 MICROINCH OVER PALLADIUM-NICKEL, THICKNESS= 40 MICROINCH MINIMUM
SOLDER TAIL AREA: TIN-LEAD, THICKNESS=40 MICROINCH MINIMUM, UNDER PLATING: NICKEL OVERALL.
4. PRODUCT SPEC.: REFER TO PS-67003.

2 : 1

G.Wang 99/11/29

50CKTS CFA STRADDLE MOUNT HEADER ASS'Y,
STANDARD REV.

S6700502.S01