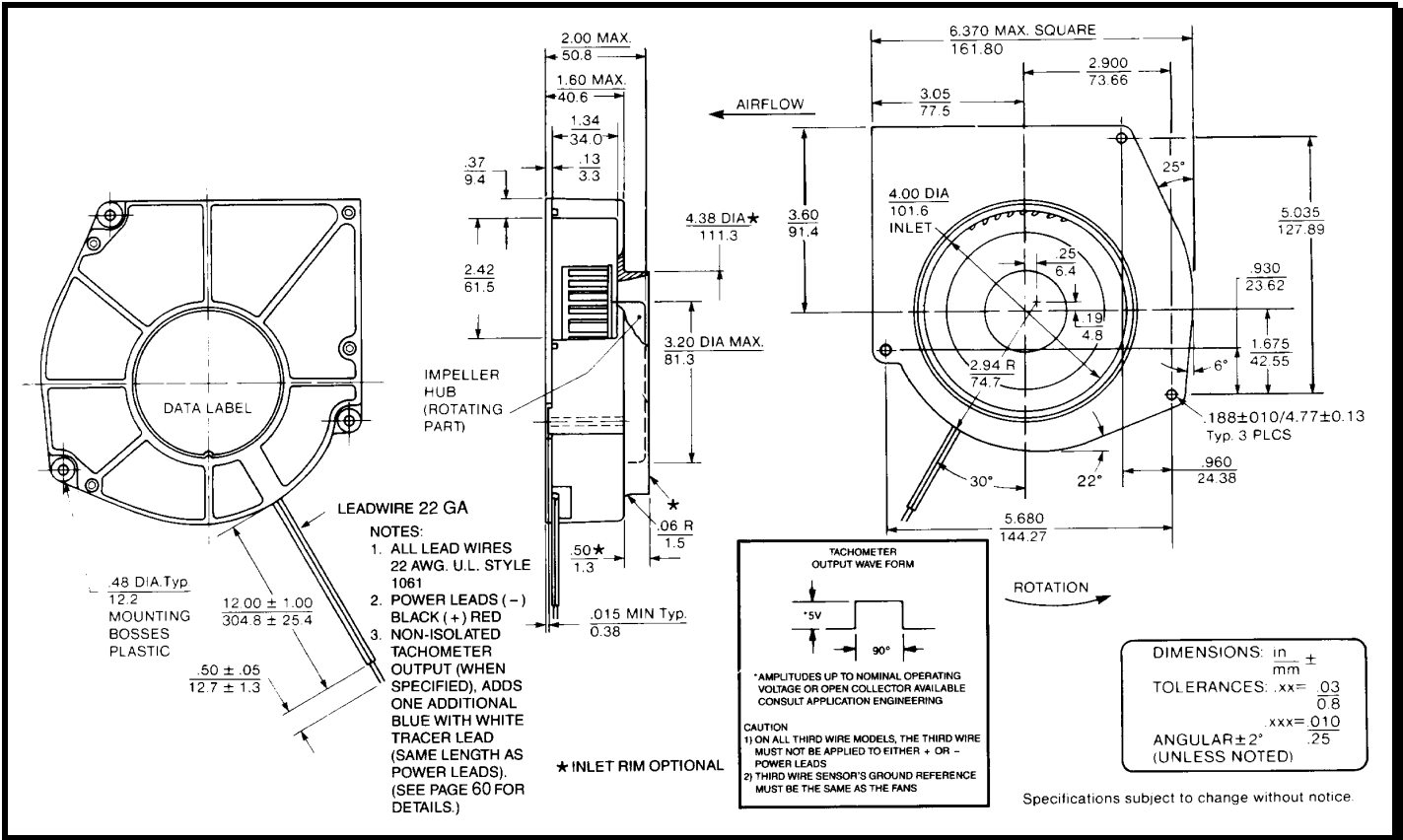


SPECIFICATIONS



Model Number: SPD24B1
 Part Number: 19032183A SPEC NUMBER: 26013955A00 April 7, 2005

Mechanical Drawing:



Specifications:

Nominal Voltage	= 24 vdc
Operating Voltage Range	= 12 - 28 vdc
Nominal Running Current	= 1.250 amps
Locked Rotor Current	= 2.000 amps
Running Power	= 30.0 watts
Average Speed	= 2500 rpm
Bearings	= Ball
Air Flow	= 60 CFM
Acoustic	= 57.0 dBA

Construction:

Backplate: Die-Cast Zinc Alloy
 Housing & Propeller: Plastic, Black, UL 94V-0

Life Expectancy:

This fan is designed for continuous duty life of 62,000 hours at 50°C.

Features:

- Polarity Protected
- Brushless DC Motor Design
- Electronic Locked Rotor Protection
- Automatic Restart Capability
- Operating Temperature: -10°C to 70°C
- Storage Temperature: -40°C to 85°C

Termination:

12" Lead wires, 22 AWG, UL 1061
 Fan power - Red
 Fan ground - Black

Agency Approvals:

UL