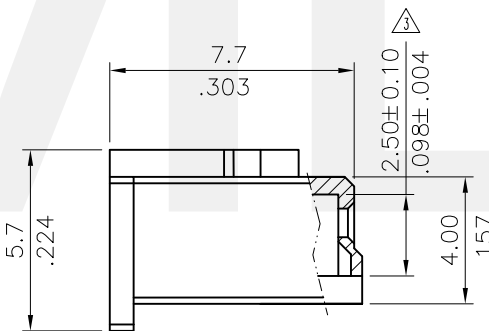
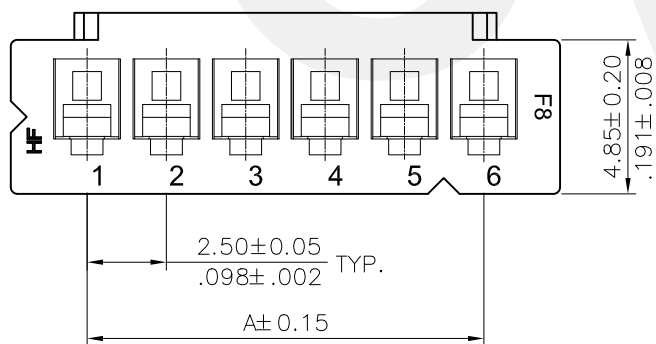
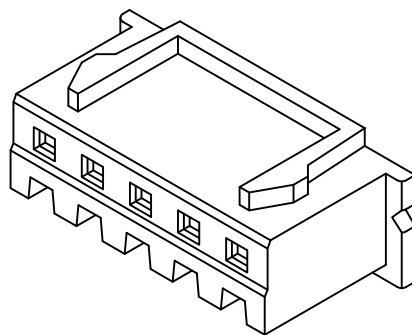
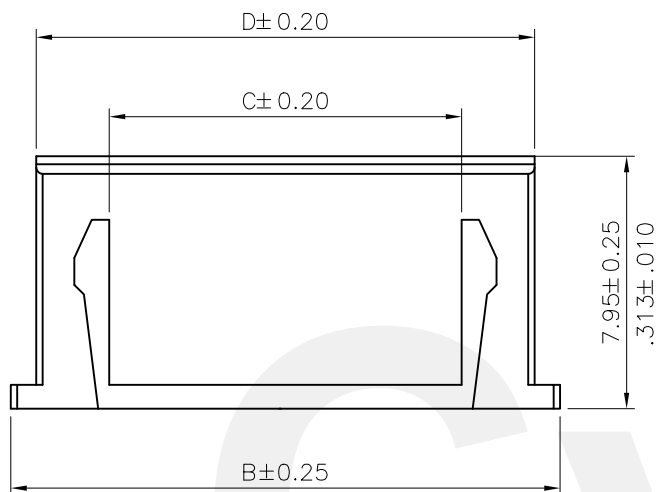


* Material: Nylon 66 UL 94V-0, Color Nature

Ordering Code:

$\frac{CI22}{①}$ $\frac{**}{②}$ $\frac{S}{③}$ $\frac{0000}{④}$

- ① Series No.
- ② No. of Circuits:
- ③ Contact type: S= Connector housing
- ⚠ ④ Other options: 0000= Standard



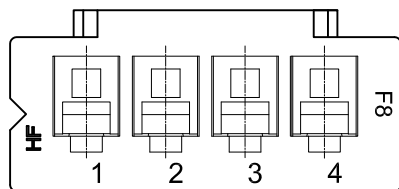
Circuits	Dimension			
	A	B	C	D
2	2.50(.098)	7.3(.287)	1.00(.039)	5.70(.224)
3	5.00(.197)	9.8(.386)	3.50(.138)	8.20(.323)
4	7.50(.295)	12.3(.484)	6.00(.236)	10.70(.421)
5	10.00(.394)	14.8(.583)	8.50(.335)	13.20(.520)
6	12.50(.492)	17.3(.681)	11.00(.433)	15.70(.618)
7	15.00(.591)	19.8(.780)	13.50(.531)	18.20(.717)
8	17.50(.689)	22.3(.878)	16.00(.630)	20.70(.815)
9	20.00(.787)	24.8(.976)	18.50(.728)	23.20(.913)
10	22.50(.886)	27.3(1.075)	21.00(.827)	25.70(1.012)
11	25.00(.984)	29.8(1.173)	23.50(.925)	28.20(1.110)
12	27.50(1.083)	32.3(1.272)	26.00(1.024)	30.70(1.209)
13	30.00(1.181)	34.8(1.370)	28.50(1.122)	33.20(1.307)
14	32.50(1.280)	37.3(1.469)	31.00(1.220)	35.70(1.406)
15	35.00(1.378)	39.8(1.567)	33.50(1.319)	38.32(1.504)

Halogen-Free RoHS compliant

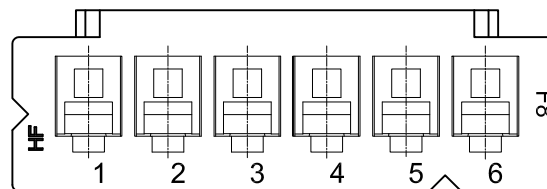
CVILUX CORP
2015.12.31
ISSUED

SYM	NAME	DATE	REVISIONS	APPROVED BY:	Eisley	12/25-15'	UNIT: mm / inch	TITLE: 2.50MM(.098") CRIMP TERMINAL HOUSING
④							TOLERANCE UNLESS OTHERWISE SPECIFIED	MATERIAL:
③	Sun	12/24-15'	ECRB115067/ECNT115267	DRAWN BY:	Sun	12/24-15'		
②	Sun	9/16-14'	ECRB114053/ECNT114195	ENGINEER:	Sun	12/24-15'	.XX ± 0.15 / .006 .X' ±	DRAWING NO. CI2296SD PART NO. CI22**S0000
①	Karen	5/11-12'	ECR12033-0	CHECKED BY:	Eisley	12/25-15'		

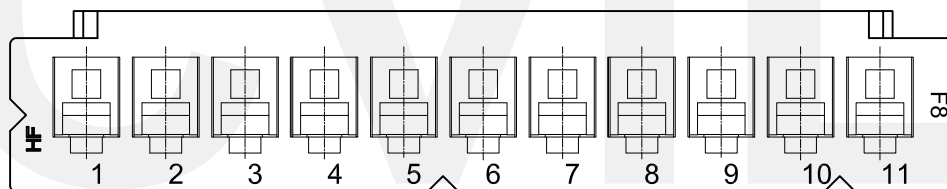
瀚荃股份有限公司
CviLux Corporation



2P~4P



6P~10P



11P~15P

Halogen-Free RoHS Compliant



CVILUX CORP
2015.12.31
ISSUED

4						DATE	UNIT: mm / inch	TITLE: 2.50MM(.098") CRIMP TERMINAL HOUSING
3	Sun	12/24-15'	ECRB115067/ECNT115267	DRAWN BY: Sun	12/24-15'	TOLERANCE UNLESS OTHERWISE SPECIFIED		MATERIAL:
2	Sun	9/16-14'	ECRB114053/ECNT114195	ENGINEER: Sun	12/24-15'	.X ± 0.25 / .010	X' ± 1"	FINISH:
1	Karen	5/11-12'	ECR12033-0	CHECKED BY: Easley	12/25-15'	.XX ± 0.15 / .006	.X' ±	
SYM	NAME	DATE	REVISIONS	APPROVED BY: Easley	12/25-15'	.XXX ± 0.08 / .003	.XX' ±	

DRAWING NO.	CI2296SD	PART NO.	CI22**S0000
SCALE	4 / 1	SHEET	2 OF 2