

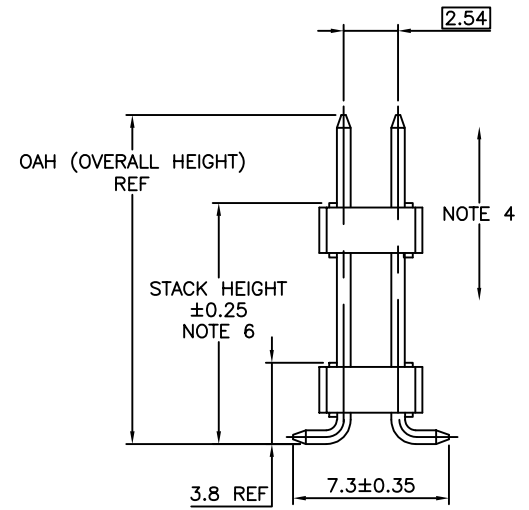
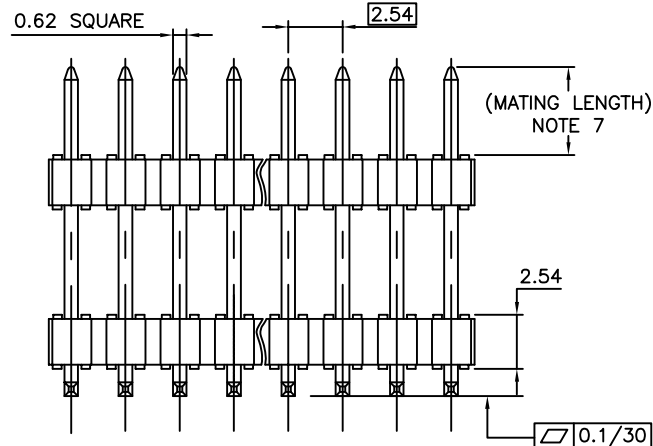
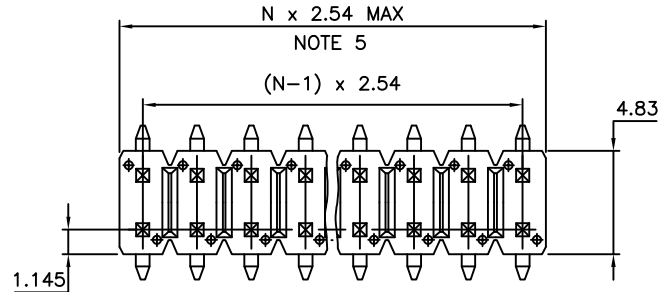
PRODUCT NUMBER
54242-XXXXXXXXLFL

PLATING

- 1 = 0.76µm GOLD/GXT ON CONTACT AREA
2µm MIN MATTE TIN ON TAIL
OVER 1.27µm Ni MIN
- 4 = 2µm MIN MATTE TIN
OVER 1.27µm Ni MIN
- 5 = 0.25µm GOLD/GXT ON CONTACT AREA
2µm MIN MATTE TIN ON TAIL
OVER 1.27µm Ni MIN
ONLY AVAILABLE UPON REQUEST
- 8 = 0.38µm GOLD/GXT ON CONTACT AREA
2µm MIN MATTE TIN ON TAIL
OVER 1.27µm Ni MIN
- 9 = GOLD FLASH ON CONTACT AREA
2µm MIN MATTE TIN ON TAIL
OVER 1.27µm Ni MIN

- RoHS COMPATIBLE, SEE NOTE 8
- PACKAGING, SEE NOTE 3
- STACK HEIGHT, SEE NOTE 6
- TOTAL NB OF POSITIONS
04 TO 50

PIN STYLE	OAH
01	10.42
02	11.72
03	14.12
04	14.98
05	15.87
06	17.13
07	19.18
08	21.72
09	24.26
10	26.8
11	29.34
12	31.88
13	32.22
14	24.64
15	14.78
16	34.42
18	26.22
19	20.62
20	28.70
21	30.37
22	35.52
23	36.62
24	40.52
25	41.22
26	45.22
27	50.22
28	18.72
29	43.00
30	27.43
31	22.20
32	16.90

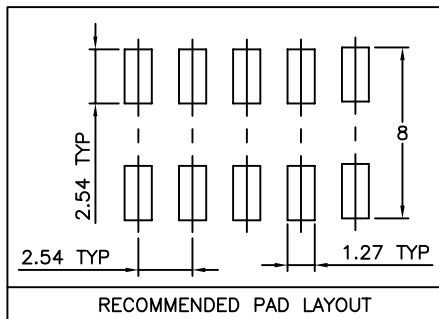


NOTES:

1. HOUSING MAT'L : HIGH TEMPERATURE THERMOPLASTIC. UL94V-0 COLOR: BLACK
2. PIN MATERIAL : PHOSPHOR BRONZE
3. PACKAGING :
BLANK = PACKAGING IN POLYBAG OR BLIBOX
"A" = TAPE & REEL WITH CAP, AS AVAILABLE
"K" = TAPE & REEL WITHOUT CAP, AS AVAILABLE
"T" = TUBE WITHOUT CAP, AS AVAILABLE
4. 9N MIN RETENTION IN EITHER DIRECTION
5. TO DETERMINE DIMENSIONS :
N = NUMBER OF POSITIONS PER ROW
EX: 8 POS PER ROW, N x 2.54 = 20.32mm
6. XXXX = MILLIMETERS
SPECIFY MILLIMETERS
9.5mm MIN TO 26.0mm MAX AVAILABLE
IN 0.5mm INCREMENT
EXAMPLE FOR STACK HEIGHT: 1 2 5 0 = 12.5mm
7. MATING LENGTH = (OAH)-(STACK HEIGHT)

8. RoHS COMPATIBLE PRODUCT SPECIFICATIONS

- a - PLATING:
- "LF" MEANS THE PRODUCT IS LEAD-FREE,
2µm MINIMUM MATTE TIN OVER 1.27µm
MINIMUM NICKEL UNDERPLATE.
- b - MANUFACTURING PROCESS COMPATIBILITY
- c - LABELLING:
- MEETS PACKAGING SPECS AS PER GS-14-920
- d - THIS PRODUCT MEETS EUROPEAN UNION DIRECTIVES
AND OTHER COUNTRY REGULATIONS AS DESCRIBED
IN GS-47-0004



mat'l. code		surface		tolerance		projection		product family	
SEE NOTES		ISO 1302		ISO 406 ISO 1101		mm		BERGSTIK	
ltr	ecn no	dr	date	tolerances unless otherwise specified		mm		title	
R	F-42530	DDE	21.10.04	angles	linear	x.x ±0.3		UNSHR.HEADER	
S	F-46816	DDE	22.12.20			x.xx ±0.13		DR, SMT, DOUBLE BODY	
T	F-47065	DDE	23.01.18			x.xxx ±0.05		scale 4:1	
		dr	D.LE	01.01.24				dwg no	
M	F-21721	LMU	15.08.19	engr	JM.C	01.01.24		sheet 1 of 1	
N	F-35464	DDE	19.11.25	chr	JM.C	01.01.24		size	
P	F-38536	DDE	20.10.01	appd	JF.N	01.01.24		A3	
sheet		revision						type	
index		sheet						CUSTOMER Drawing	



Copyright FCI