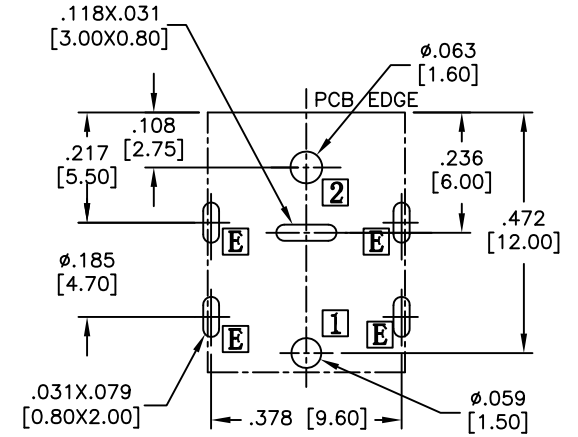
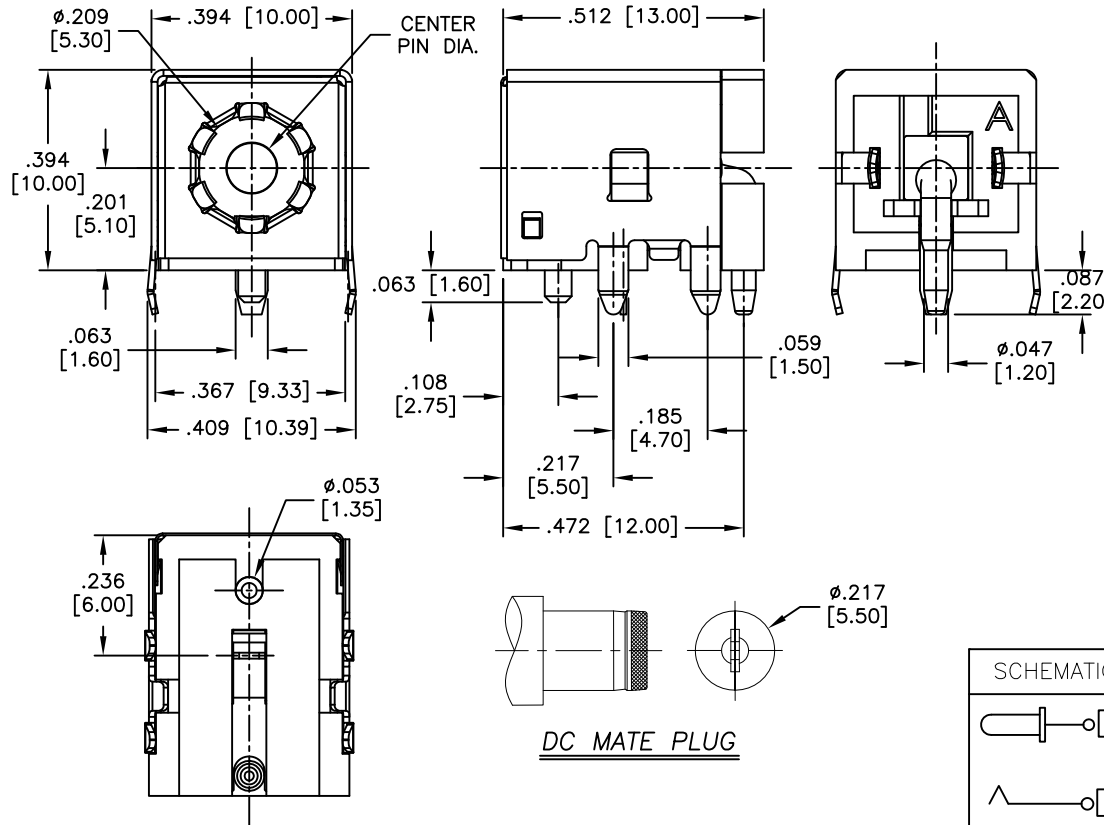
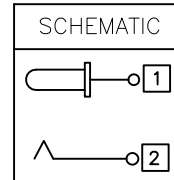


APPROVED: _____
 DATE: _____ TITLE: _____

| Rev | AWO # | Description | Date | Appr |
|-----|-------|----------------|----------|-------|
| - | | RELEASED | 3/7/16 | |
| A | | UPDATE DRAWING | 10/18/17 | AY/MY |



RECOMMENDED PCB LAYOUT



| PART NO. | CENTER PIN DIA. |
|---------------|-----------------|
| ADC-096-1-T/R | 0.079 [2.00] |
| ADC-096-2-T/R | 0.098 [2.50] |
| ADC-096-9-T/R | 0.065 [1.65] |

SPECIFICATIONS:

Material:
 Insulator: Hi-temp thermoplastic, rated UL 94V-0
 Insulator color: Black
 Contacts: Copper Alloy, Silver plated
 Center Pin: Zn alloy, Nickel plated
 Shield: Stainless steel
 Electrical:
 Voltage rating: DC 20V.
 Current rating: 4 Amp
 Contact resistance: 30 mohms max.
 Insulation resistance: 100 Mohms min.
 Dielectric withstanding voltage: 500 VAC for 1 minute
 Temperature Rating:
 Operating temperature: -20°C to +70°C
 Environmental:
 Lead free, RoHS compliant



PACKAGED ON TAPE & REEL

| | | | |
|---|---------------|---|-----|
| UNLESS OTHERWISE SPECIFIED ALL DIMENSIONS ARE INCHES [MM] TOLERANCES: EXCEPT AS NOTED | | <h1>ADAM TECH</h1> 909 Rahway Avenue, Union, NJ 07083 Phone: 908-687-5000 Fax: 908-687-5710 | |
| INCHES | | | |
| .X ± .10 | ∅.X ± .10 | TITLE DC POWER JACK, 1.65mm, 2.00mm, 2.50mm, CENTER PIN | |
| .XX ± .020 | ∅.XX ± .015 | | |
| .XXX ± .015 | ∅.XXX ± .010 | | |
| APPROVALS | | DATE | |
| DRAWN | AY | 3/7/16 | |
| CHECKED | LW | 3/7/16 | |
| APPROVED | | | |
| SIZE | PART NO. | REV. | |
| X | ADC-096-X-T/R | A | |
| REF: | S00002C | SCALE: | NTS |
| | | SHEET 1 OF 1 | |