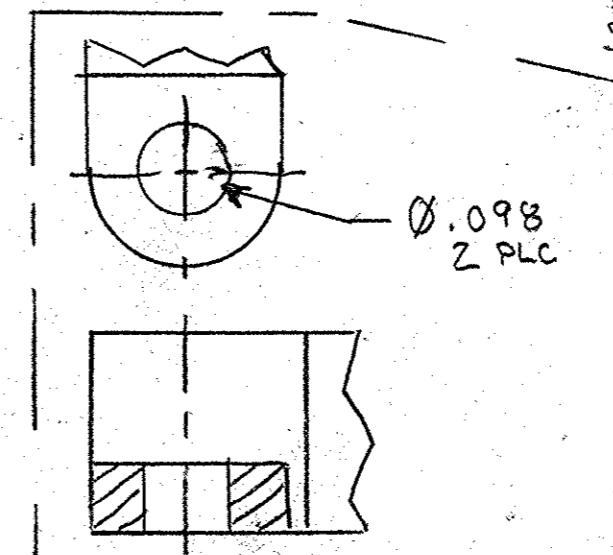
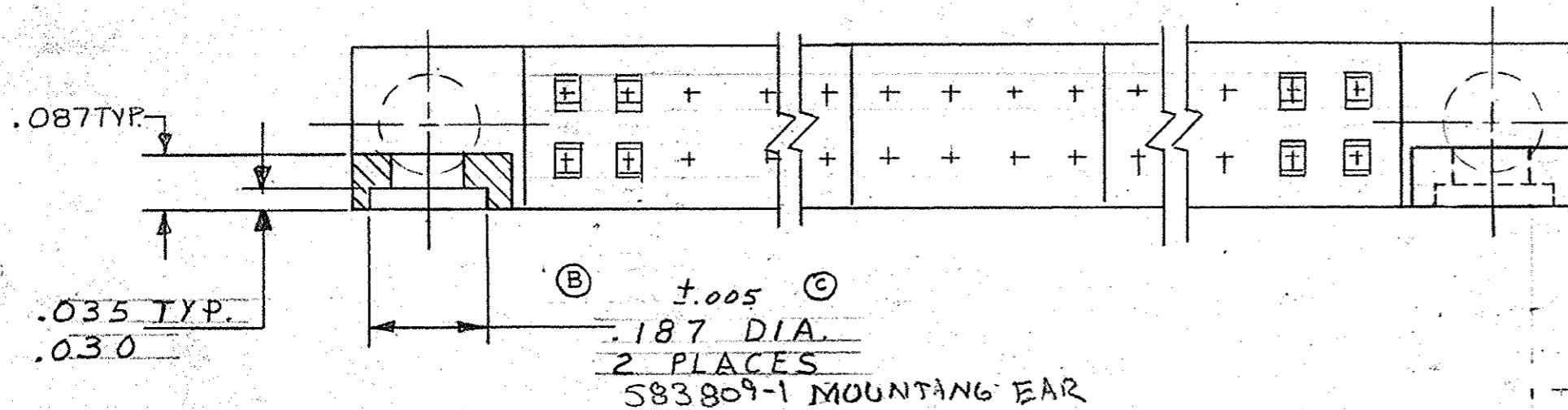
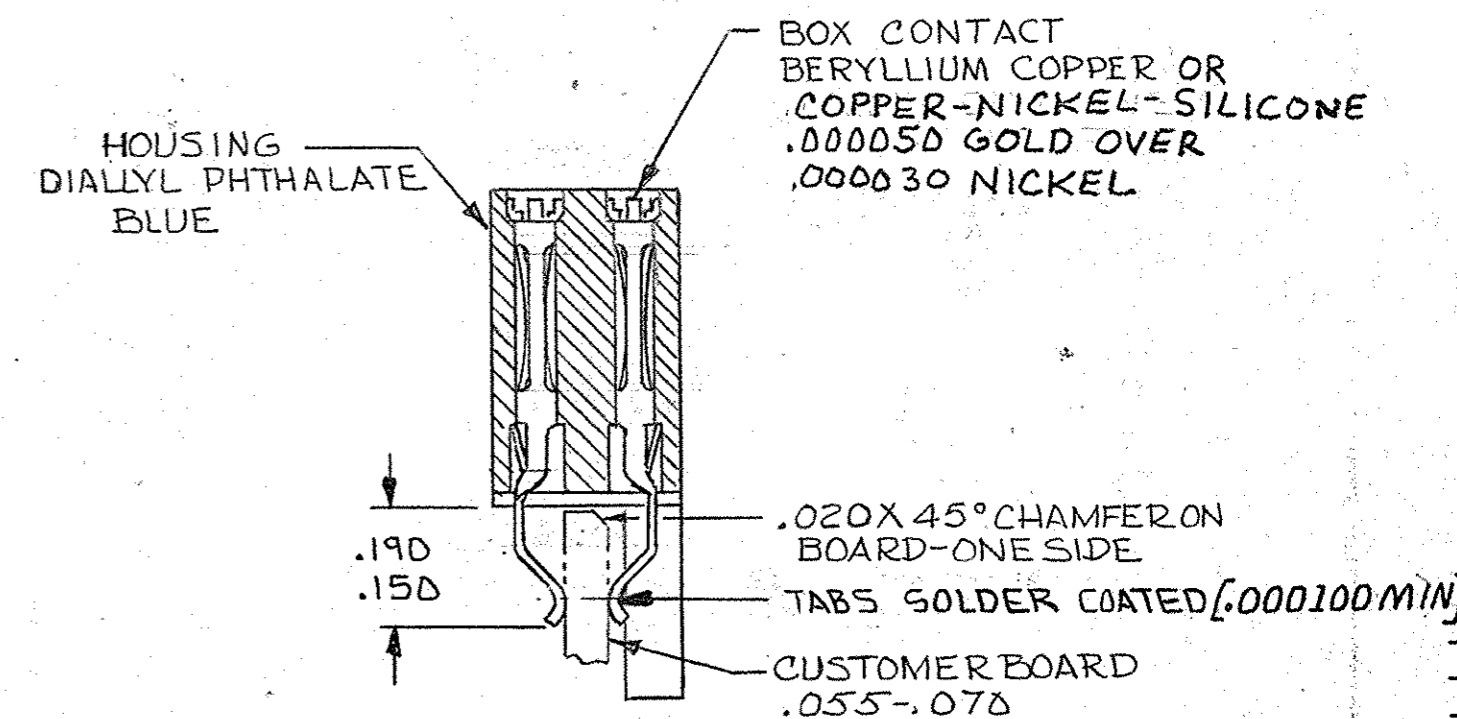
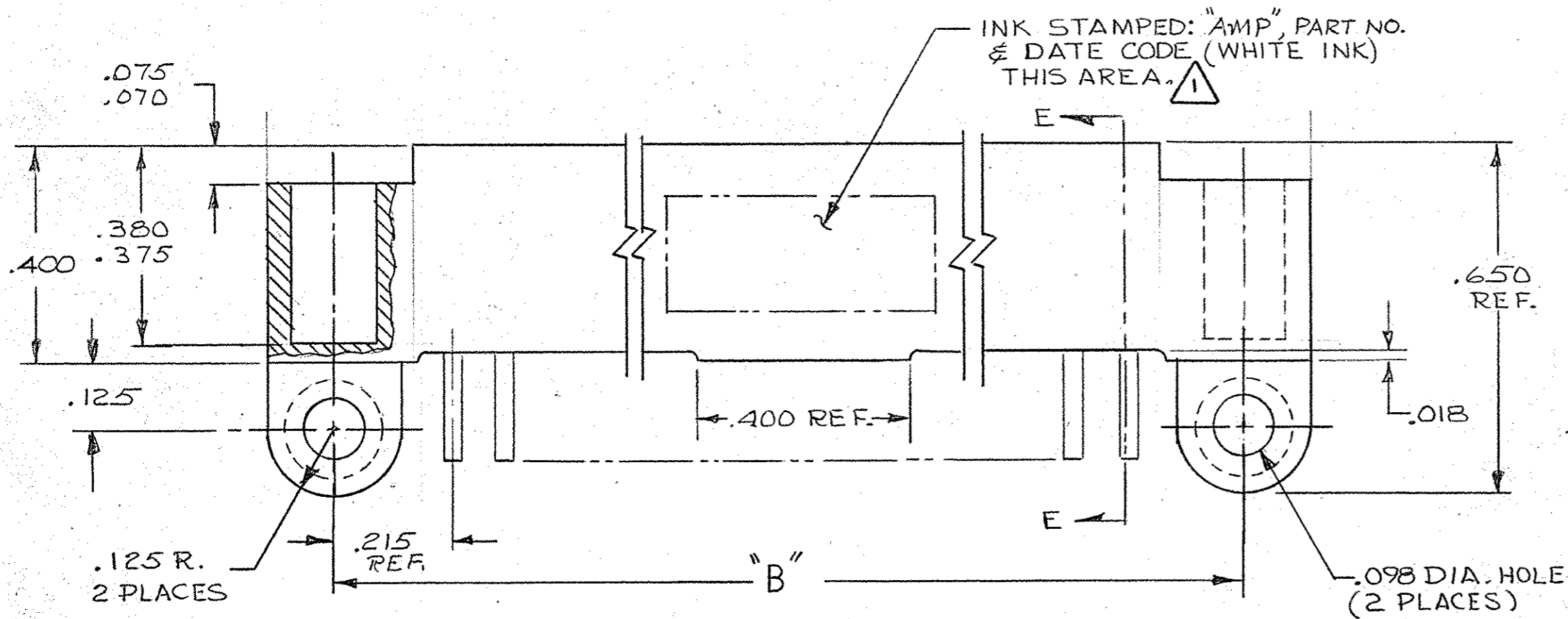
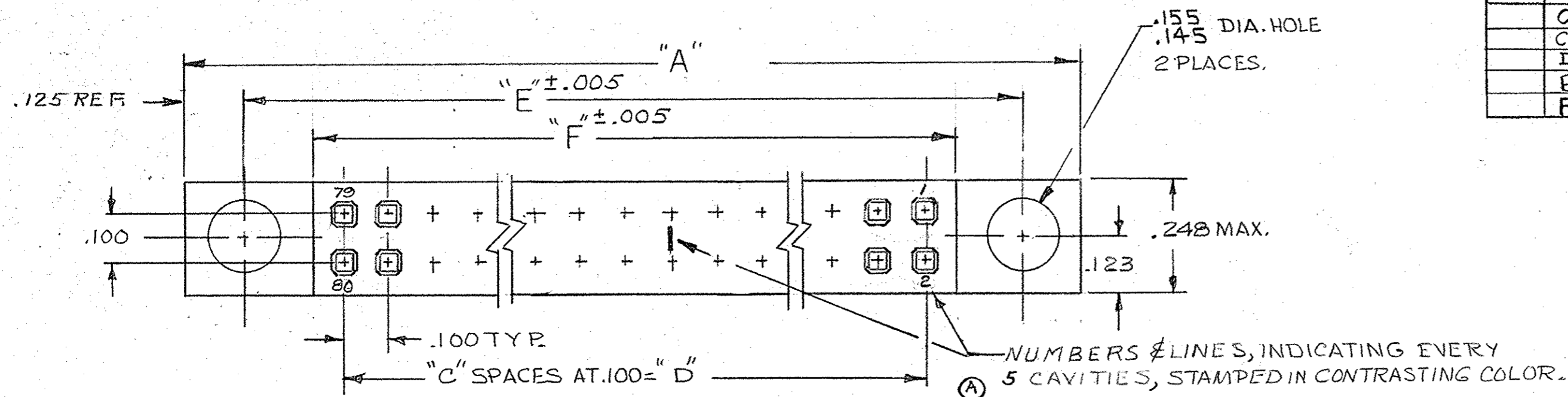


© 19 BY AMP INCORPORATED. ALL RIGHTS RESERVED. AMP PRODUCTS COVERED BY PATENTS AND/OR PATENTS PENDING.

REVISIONS				
ZONE	LTR	DESCRIPTION	DATE	APPROVED
	0	RELEASED WAS 5087-600 CUST	J.W. 12-2-71	D.H.
	A	REVISED 3868	M.S. 7-23-73	M.Z.
	B	REVISED 4550	M.S. 9-24-75	DR
	C	REVISED 4710	M.S. 3-4-76	DR
	C	ADDED TYPE-2 ECN 8128	W.A. 9-23-82	EAM
	C2	REVISED ECN 0034	db 10-27-83	EAM
	D	REVISED ECN AB-0535	db 2-27-85	EAM
	E	REV PER 0630-0464-03	CT 3-04	DRM
	F	REV PER ECO-50-013297	11-05	PY



▲ SPECIAL MARKING OF CUSTOMER P/N SEE TABLE
 ▲ COUNTER BORED HOLE TO BE SECONDARY OPERATION, FOR TYPE 1 ONLY.

715213-2	583809-2	80	4.580	4.330	39	3.900	4.330	4.030
715213-1	583809-1	80	4.580	4.330	39	3.900	4.330	4.030
CUSTOMER'S PART NO. ▲	ASS'Y. PART NO.	NO POS.	A	B	C	D	E	F.

UNLESS OTHERWISE SPECIFIED, DIMENSIONS ARE IN INCHES TOLERANCES ON: DECIMALS ±.010 ANGLES ±	CONTRACT NO.		AMP AMP INCORPORATED HARRISBURG, PENNSYLVANIA	
	DR	10-4-71		
	CHK	S.S. Heide 12/3/71	NAME RECEPTACLE ASSEMBLY, BOX CONTACT, .100 CENTERLINES	
	APPD	P. P. P. 12/3/71	SIZE	CODE IDENT NO.
REL	D. Shuman 12/3/71	C	00779	583809
DSGN APPD		SCALE	4:1	SHEET
OTHER APPD				