



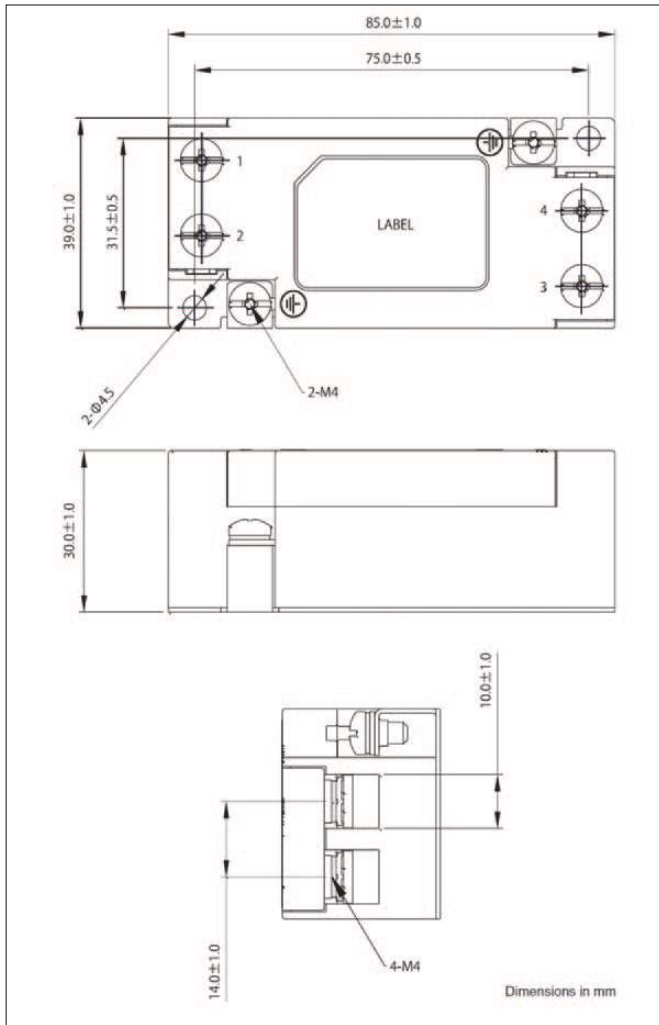
6A to 30A, 250VAC EMC Filters

Features	Benefits
• Integrated Terminal Block with Captive Screws	• No Lost Hardware
• Compact Size	• Less System Space Required
• DIN Rail Mount Accessory Kit	• Allows DIN Rail Mounting
• Conforms to UL, CSA and EN Safety Agency Certifications	• Global Use

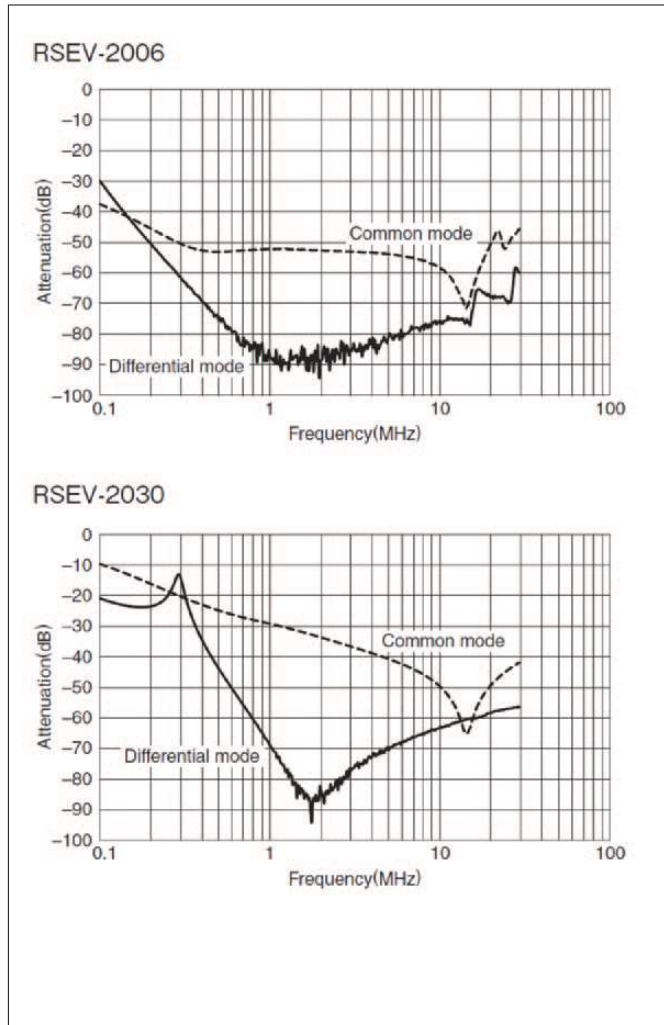


Specification		RSEV-2006	RSEV-2010	RSEV-2016	RSEV-2020	RSEV-2030
Rated Voltage (AC, DC)	V	250V				
Rated Current	A	6A	10A	16A	20A	30A
Withstand Voltage	V	Terminals to Case: 2500VAC (1 Minute)				
Isolation Resistance	MΩ	100MΩ minimum (500VDC, 1 Minute)				
Leakage Current (max)	A	1mA (250VAC, 60Hz)				
DC Resistance (total)	mΩ	110	40	20	10	6
Operating Temperature	°C	-25°C to +85°C (Derate above 55°C, see derating curve)				
Storage Temperature	°C	-25°C to +85°C				
Safety Agency Certifications	-	UL1283, CSA C22.2 No.8, EN60939-3				
Weight	g	150				
Size (W x L x H)	mm	39 x 85 x 30mm				
Warranty	yrs	5				

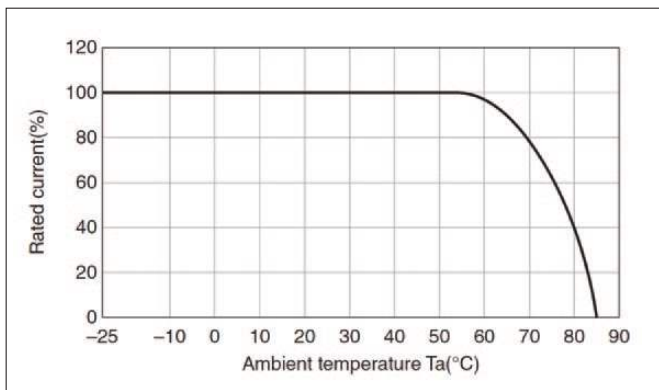
Outline Drawing RSEV Series



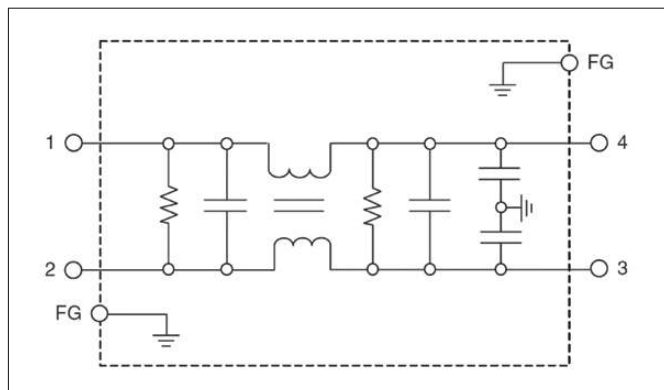
Attenuation Characteristics RSEV Series



Derating Curve RSEV Series



Circuit Diagram RSEV Series



Accessory

DIN Rail Mounting Kit

DIN-RSEV



TDK-Lambda France SAS

Tel: +33 1 60 12 71 65
tlf.fr.powersolutions@tdk.com
www.emea.lambda.tdk.com/fr



Italy Sales Office

Tel: +39 02 61 29 38 63
tlf.it.powersolutions@tdk.com
www.emea.lambda.tdk.com/it



Netherlands

tlf.nl.powersolutions@tdk.com
www.emea.lambda.tdk.com/nl



TDK-Lambda Germany GmbH

Tel: +49 7841 666 0
tlg.powersolutions@tdk.com
www.emea.lambda.tdk.com/de



Austria Sales Office

Tel: +43 2256 655 84
tlg.at.powersolutions@tdk.com
www.emea.lambda.tdk.com/at



Switzerland Sales Office

Tel: +41 44 850 53 53
tlg.ch.powersolutions@tdk.com
www.emea.lambda.tdk.com/ch



Nordic Sales Office

Tel: +45 8853 8086
tlg.dk.powersolutions@tdk.com
www.emea.lambda.tdk.com/dk



TDK-Lambda UK Ltd.

Tel: +44 (0) 12 71 85 66 66
tlu.powersolutions@tdk.com
www.emea.lambda.tdk.com/uk



TDK-Lambda Ltd.

Tel: +9 723 902 4333
tli.powersolutions@tdk.com
www.emea.lambda.tdk.com/il-en



TDK-Lambda Americas

Tel: +1 800-LAMBDA-4 or 1-800-526-2324
tla.powersolutions@tdk.com
www.us.lambda.tdk.com



TDK Electronics do Brasil Ltda

Tel: +55 11 3289-9599
sales.br@tdk-electronics.tdk.com
www.tdk-electronics.tdk.com/en



TDK-Lambda Corporation

Tel: +81-3-6778-1113
www.jp.lambda.tdk.com



TDK-Lambda (China) Electronics Co. Ltd.

Tel: +86 21 6485-0777
tlc.powersolutions@tdk.com
www.lambda.tdk.com.cn



TDK-Lambda Singapore Pte Ltd.

Tel: +65 6251 7211
tfs.marketing@tdk.com
www.sg.lambda.tdk.com



TDK India Private Limited, Power Supply Division

Tel: +91 80 4039-0660
mathew.philip@tdk.com
www.sg.lambda.tdk.com

