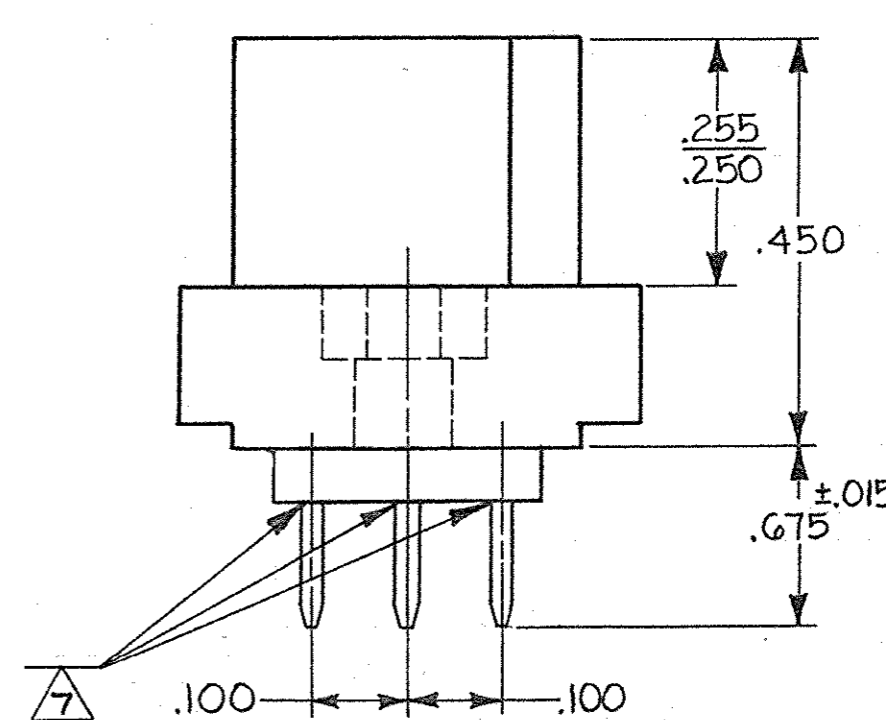
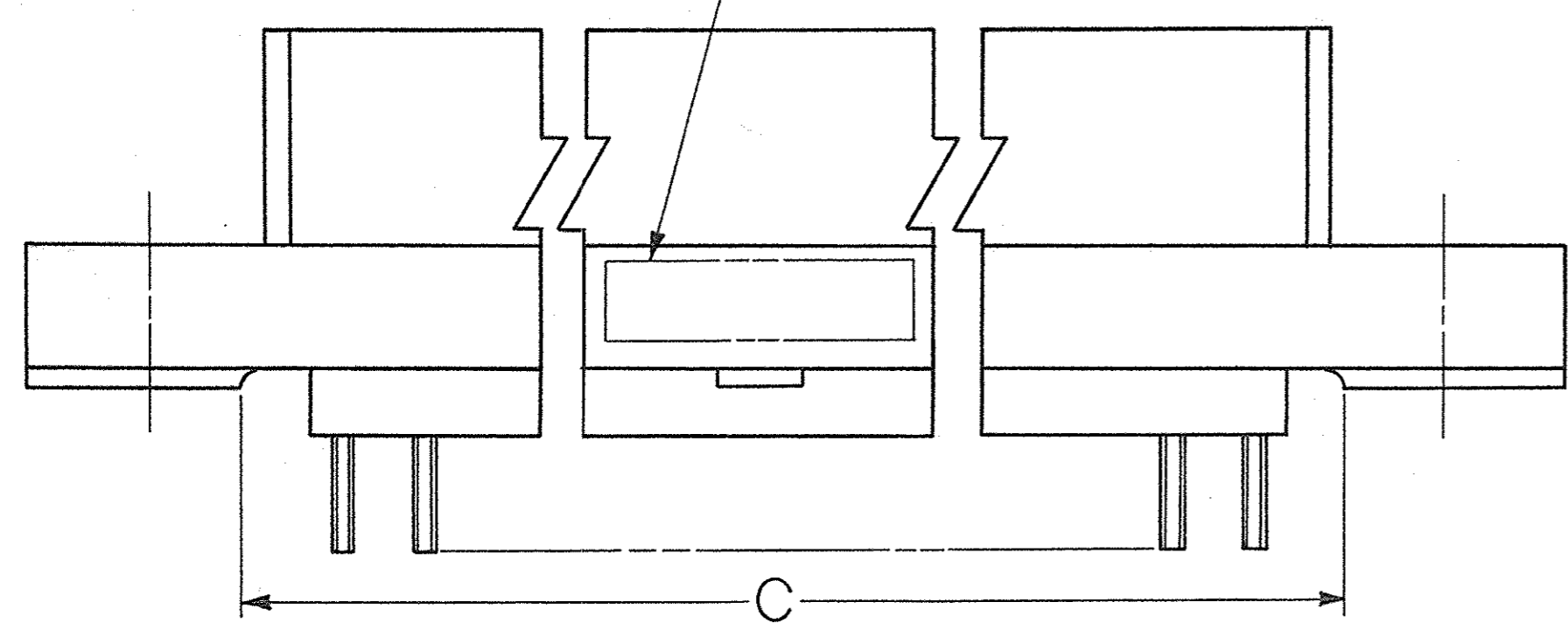
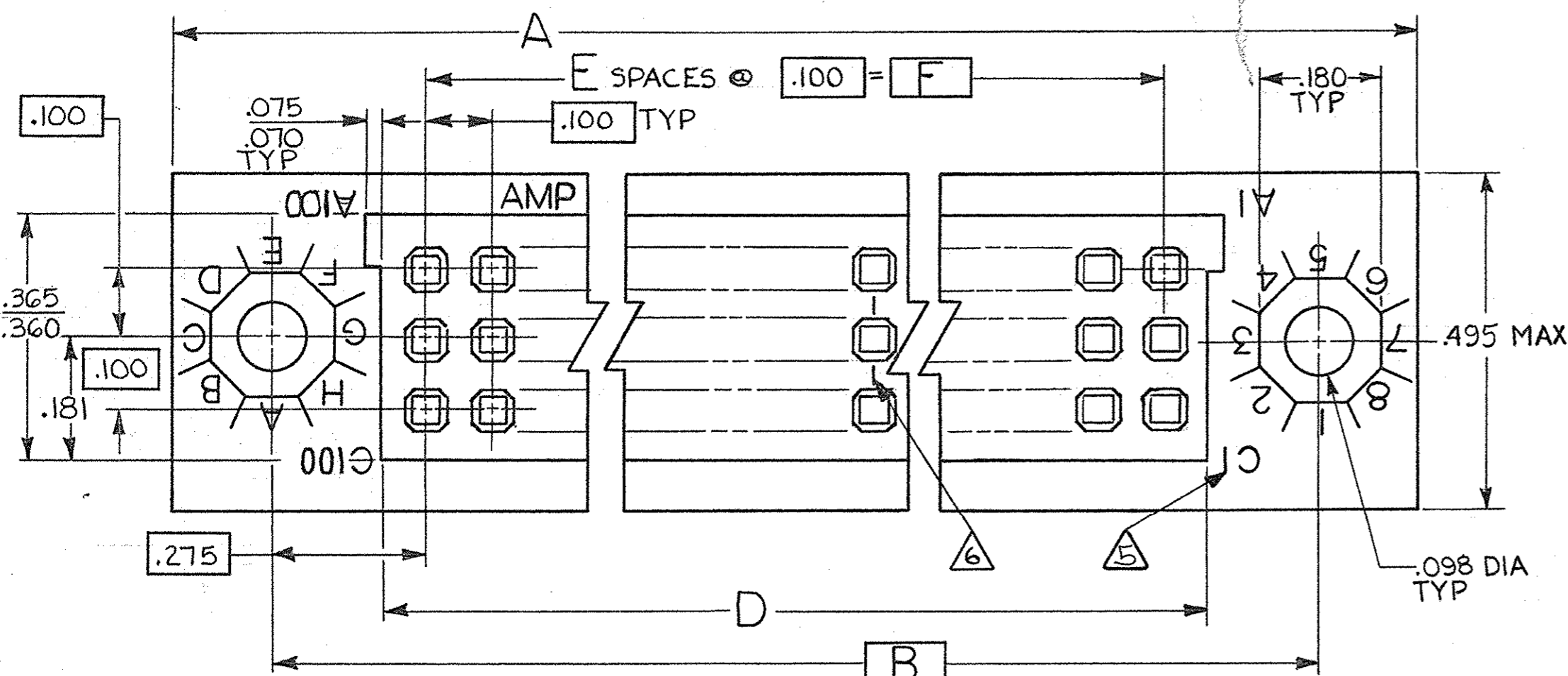


© COPYRIGHT 19 BY AMP INCORPORATED, HARRISBURG, PA.
ALL INTERNATIONAL RIGHTS RESERVED. AMP INCORPORATED PRODUCTS
COVERED BY U. S. AND FOREIGN PATENTS AND/OR PATENTS PENDING.

REVISIONS						
P	F	ZONE	LTR	DESCRIPTION	DATE	APPROVED
			A	REVISED 6424 m.s.	12-14-77	WHP
			A1	ADDED 1--1 6499 m.s.	2-20-80	WHP
			A2	ADDED NOTE 7 & 1'-2 7848, 7851	3-82	EAM
			A3	REVISED ECN 7982 WPL	6-82	EAM
B			B	REVISED 8171 m.s.	10-82	EAM
			C	REV PER ECN AB-0522 db	2-85	EAM
			C1	REV PER ECN AB-1529 db	4-86	EAM
			D	REV. PER DF-0457		QPB
			E	REV PER DF-0117 ETG	8-88	QPB
			F	REV PER DF-6974 TA	3/93	QPB
			G	REV 0600-5641-96 TT	9-97	QPB
			H	REV 0600-6467-97 TT	10-98	QPB
			K	REV PER ECO-05-013278	11-05	PY
			L	REV PER OK14-0208-05	1-06	PY



- ① AMP, DATE CODE AND PART NUMBER MARKED THIS AREA
- ② HOUSING MATERIAL: POLYPHENYLENE SULFIDE GST-40F PER MIL-M-24519.
- ③ CONTACT MATERIAL-BERYLLIUM COPPER OR COPPER-NICKEL-SILICONE
- ④ FINISH-.000030 GOLD IN CONTACT AREA OVER .000030 NICKEL ALL OVER WITH TIN-LEAD PLATED POSTS.
- ⑤ LETTERS INDICATING OUTSIDE ROWS AND NUMBERS INDICATING END CAVITIES MARKED ON THIS SURFACE.
- ⑥ LINES INDICATING EVERY FIVE CAVITIES MARKED ON MATING FACE.
- ⑦ EPOXY ADDED TO AREA WHERE THE CONTACT POSTS EMERGE FROM THE STABILIZER TO INSURE POST TRUE POSITION.
- ⑧ FINISH: .000030 GOLD IN CONTACT AREA OVER .000030 NICKEL ALL OVER WITH TIN PLATED POSTS

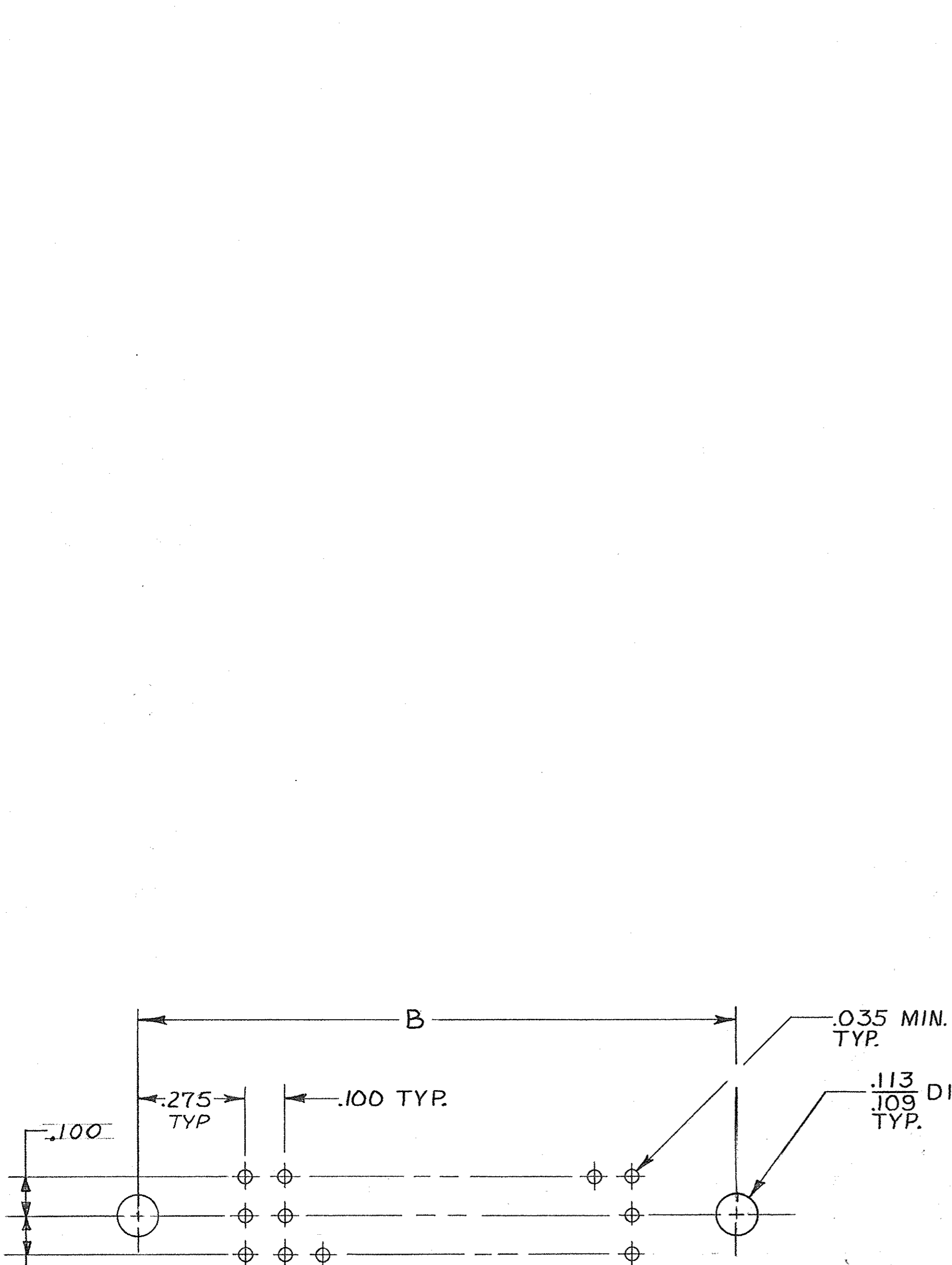
UNLESS OTHERWISE SPECIFIED DIMENSIONS ARE IN INCHES. TOLERANCES ON: DECIMALS ± .010 ANGLES ±		CONTRACT NO DR Debra Kelly 8-7-79 CHK W. Hitchcock Jr. 9/12/79 APPD W. Hitchcock Jr. 9/12/79 APPD W. Hitchcock Jr. 9/12/79 DSGN APPD OTHER APPD		PART NO	
MATERIAL ②③	FINISH ④⑧	AMP INCORPORATED Harrisburg, Pa.		NAME RECEPTACLE ASS'Y .100 C, 3 ROW W/ MOUNTING EARS, BOX CONTACT, WIRE WRAP POST	
		SIZE C	CODE 00779	IDENT NO	DRAWING NO 531139
		SCALE 5:1		SHEET 1 OF 2	

531139

© COPYRIGHT 19... BY AMP INCORPORATED, HARRISBURG, PA.
ALL INTERNATIONAL RIGHTS RESERVED. AMP INCORPORATED PRODUCTS
COVERED BY U. S. AND FOREIGN PATENTS AND/OR PATENTS PENDING.

REVISIONS			
P	F	ZONE	LTR

SEE SHEET 11



	2.900	29	3.024	3.125	3.450	3.750	90	5-531139-1
4	OBSOLETE	9.900	99	10.024	10.125	10.450	10.750	300
	OBSOLETE	8.900	89	9.024	9.125	9.450	9.750	270
	OBSOLETE	6.400	64	6.524	6.625	6.950	7.250	195
	OBSOLETE	4.400	44	4.524	4.625	4.950	5.250	135
	OBSOLETE	3.200	32	3.324	3.425	3.750	4.050	99
	OBSOLETE	4.100	41	4.224	4.325	4.650	4.950	126
	OBSOLETE	4.000	40	4.124	4.225	4.550	4.850	123
	OBSOLETE	7.900	79	8.024	8.125	8.450	8.750	240
4	OBSOLETE	6.900	69	7.024	7.125	7.450	7.750	210
	OBSOLETE	5.900	59	6.024	6.125	6.450	6.750	180
4	OBSOLETE	5.400	54	5.524	5.625	5.950	6.250	165
	OBSOLETE	4.900	49	5.024	5.125	5.450	5.750	150
	OBSOLETE	3.900	39	4.024	4.125	4.450	4.750	120
4	OBSOLETE	3.400	34	3.524	3.625	3.950	4.250	105
	OBSOLETE	2.900	29	3.024	3.125	3.450	3.750	90

531139

		F	E	D	C	B	A	NO. OF POSITIONS	PART NO
UNLESS OTHERWISE SPECIFIED DIMENSIONS ARE IN INCHES. TOLERANCES ON: DECIMALS ± .010 ANGLES ±	CONTRACT NO								
	MATERIAL								
FINISH	DR	Debra Kelly 8-7-79							
	CHK	W. Fitchard Jr. 9/12/79							
	APPD	W. Fitchard Jr. 9/12/79							
	OTHER APPD	W. Fitchard Jr. 9/12/79							
		AMP INCORPORATED Harrisburg, Pa.							
		NAME RECEPTACLE ASS'Y, .100¢, 3 ROW, W/ MOUNTING EARS, BOX CONTACT, WIRE WRAP POST							
		SIZE	CODE	IDENT NO	DRAWING NO				
		C	00779	531139					
		SCALE	4:1					SHEET	2