

POS.	PART NAME	QTY
1	FEM. HSG SIG	1
2	FEM. CONT. SIG	12

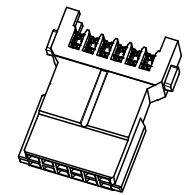
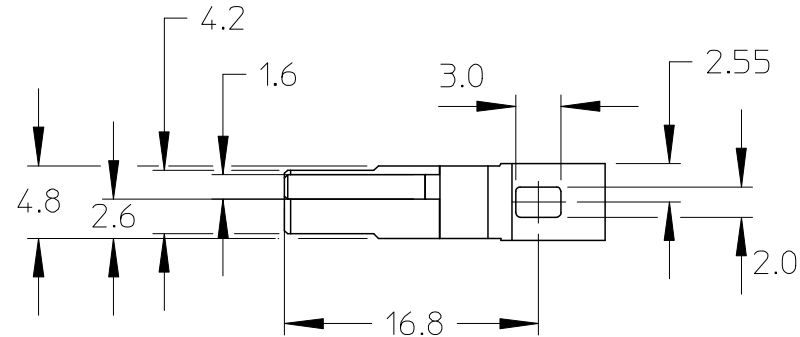
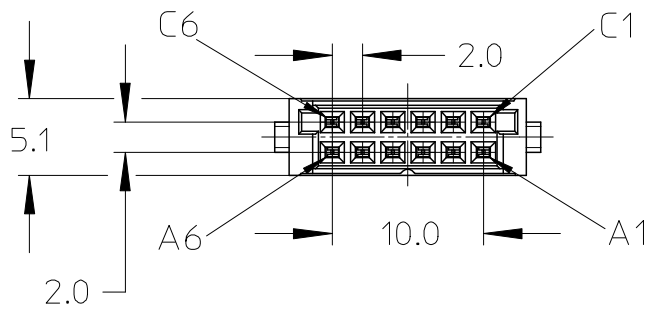
NOTES:

1- MATERIAL HOUSING: LCP

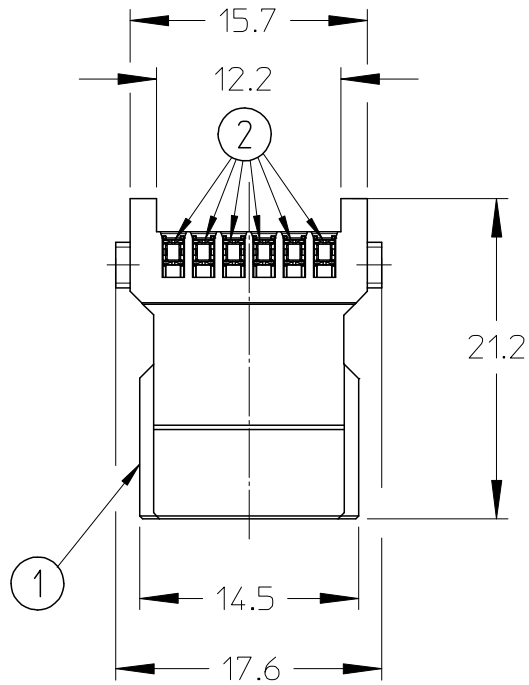
2- MATERIAL CONTACT: PHOSPHOR BRONZE

3- PLATING CONTACT: Au 0.76µM; Sn-Pb 1.0µM; Ni 2.0µM

4- MATERIAL COMPLIANT TO ROHS DIRECTIVE 2002/95/EC



EC NO: MG2007-0088 DRWN: CSEBASTI 2007/02/28 CHKD: RSILLER 2007/02/28 APPR: TREMHOF 2007/03/05	DESCRIPTION 1	QUALITY SYMBOLS ▽=0 ◻=0	GENERAL TOLERANCES (UNLESS SPECIFIED)		DIMENSION STYLE MM ONLY		SCALE 2:1	DESIGN UNITS METRIC	THIRD ANGLE PROJECTION		
			mm	INCH	DRAWN BY	DATE	TITLE EMILY SIGNAL FEMALE HOUSING WITH CONTACTS				
		4 PLACES	± ---	± ---	CSEBASTIAN	07/02/27					
		3 PLACES	± ---	± ---	CHECKED BY	DATE	MOLEX INCORPORATED				
2 PLACES	± 0.05	± ---	RSILLER	07/02/27							
1 PLACE	± 0.10	± ---	APPROVED BY	DATE	MATERIAL NO. 85068-0005		DOCUMENT NO. SD-85068-005		SHEET NO. 1 OF 1		
DRAFT WHERE APPLICABLE MUST REMAIN WITHIN DIMENSIONS			ANGULAR ± .5 °		SIZE A4		THIS DRAWING CONTAINS INFORMATION THAT IS PROPRIETARY TO MOLEX INCORPORATED AND SHOULD NOT BE USED WITHOUT WRITTEN PERMISSION				



POS.	PART NAME	QTY
1	FEM. HSG SIG	1
2	FEM. CONT. SIG	12

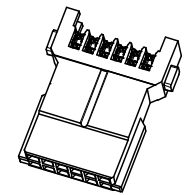
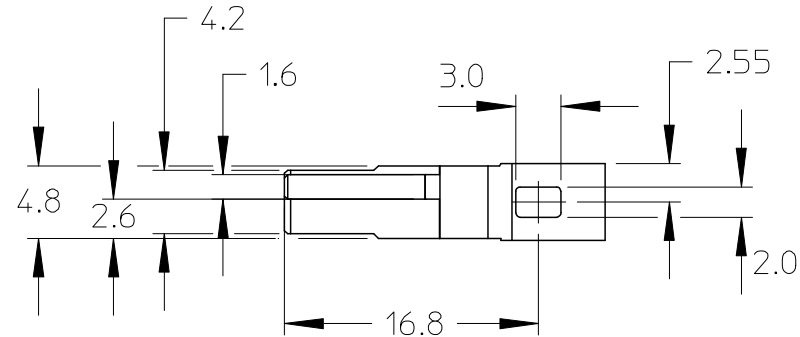
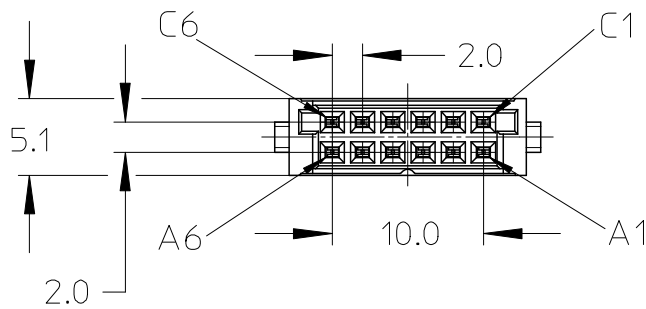
NOTES:

1- MATERIAL HOUSING: LCP

2- MATERIAL CONTACT: PHOSPHOR BRONZE

3- PLATING CONTACT: Au 0.76µM; Sn-Pb 1.0µM; Ni 2.0µM

4- MATERIAL COMPLIANT TO ROHS DIRECTIVE 2002/95/EC



EC NO: MG2007-0088 DRWN: CSEBASTI 2007/02/28 CHKD: RSILLER 2007/02/28 APPR: TREMHOF 2007/03/05	DESCRIPTION 1	QUALITY SYMBOLS ▽=0 ◻=0	GENERAL TOLERANCES (UNLESS SPECIFIED)		DIMENSION STYLE MM ONLY		SCALE 2:1	DESIGN UNITS METRIC	THIRD ANGLE PROJECTION		
			mm	INCH	DRAWN BY CSEBASTIAN	DATE 07/02/27	TITLE EMILY SIGNAL FEMALE HOUSING WITH CONTACTS				
		4 PLACES	± ---	± ---	CHECKED BY RSILLER	DATE 07/02/27	MATERIAL NO. 85068-0005				
		3 PLACES	± ---	± ---	APPROVED BY TREMHOF	DATE 07/02/27	DOCUMENT NO. SD-85068-005		SHEET NO. 1 OF 1		
			2 PLACES	± 0.05	± ---	DRAFT WHERE APPLICABLE MUST REMAIN WITHIN DIMENSIONS					
			1 PLACE	± 0.10	± ---	THIS DRAWING CONTAINS INFORMATION THAT IS PROPRIETARY TO MOLEX INCORPORATED AND SHOULD NOT BE USED WITHOUT WRITTEN PERMISSION					
			ANGULAR ± .5 °								