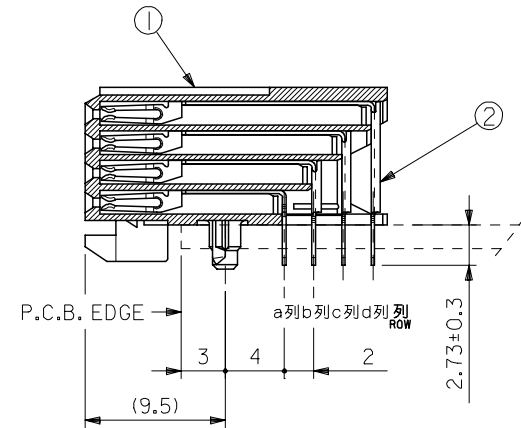
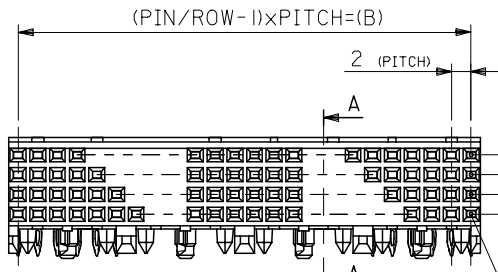
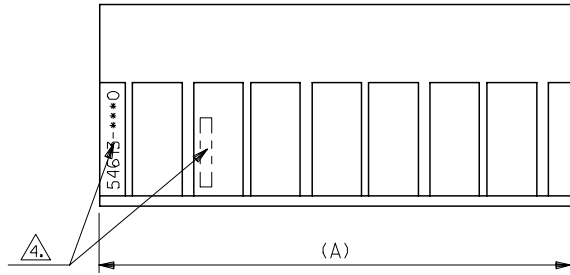


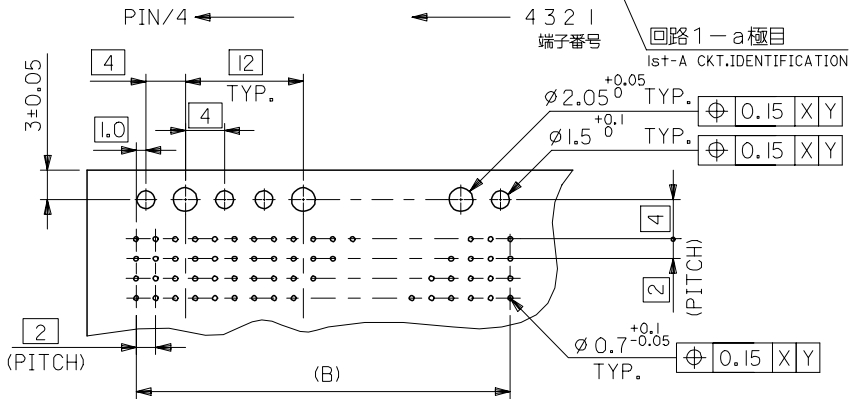
| 番号 No. | 部品 PART NAME | 材質 MATERIAL | 仕上げ FINISH |
|-----------|-------------------------------------|---|---------------|
| ① | リセプタクル ハウジング RECEPTACLE HOUSING | 液晶ポリマー、ガラス充填、自然色(白)、UL94V-0 LIQUID CRYSTAL POLYMER, GLASS FILLED, NATURAL(WHITE) | — |
| ② | リセプタクル ターミナル RECEPTACLE TERMINAL | リン青銅 PHOSPHOR BRONZE | △ |



A-A
(NON-SCALE)

注記
NOTE :

- △ ターミナル めっき仕様
TERMINAL PLATING
 金めっき: 0.38 μm MIN. (接点部)
 GOLD: 0.38 μm MIN. (CONTACT AREA)
 半田めっき: 1.0 μm MIN. (プレスフィット部)
 TIN-LEAD: 1.0 μm MIN. (PRESS-FIT AREA)
 ニッケルメッキ: 2.0 μm MIN. (下地めっき)
 NICKEL: 2.0 μm MIN. (UNDER PLATING)
- 2. 推奨基板厚: t=1.6, 2.4mm
 RECOMMENDED P.C.B. THICKNESS: t=1.6, 2.4mm
- 3. 適合プラグ: 53901-***4, 55222-***4, 55089-***4
 APPLICABLE PLUG: 53901-***4, 55222-***4, 55089-***4
- △ 製品番号及びロットナンバー
 MATERIAL NO. & LOT NO.



基板穴推奨寸法 (部品実装)

RECOMMENDED P.C.B.LAYOUT (COMPONENT SIDE)

| | | | |
|----|-------|--------------|-----|
| 94 | 95.98 | 54613-1920 | 192 |
| 58 | 59.98 | 54613-1200 | 120 |
| 22 | 23.98 | 54613-0480 | 48 |
| 10 | 11.98 | 54613-0240 | 24 |
| B | A | MATERIAL NO. | PIN |

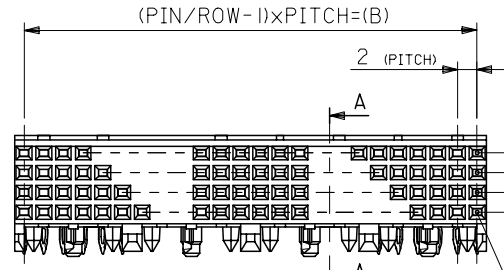
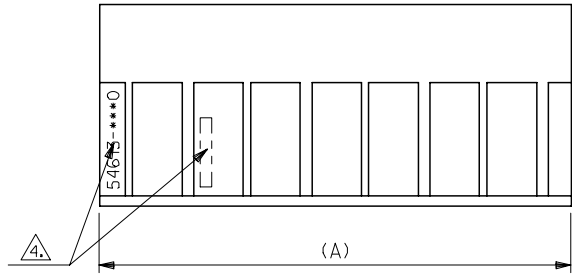
| | |
|---------------------------|-------------|
| REVISED | DESCRIPTION |
| EC NO: S54613-003/5175 | |
| DRWN: F YANG05 2007/04/10 | |
| CHKD: HWANG 2008/08/29 | |
| APPR: INCHEM 2007/04/18 | |
| REV | DESCRIPTION |
| B | |

| | | | | | |
|-----------------|---------------------------------------|-----------------|-------|--------------|------------------------|
| QUALITY SYMBOLS | GENERAL TOLERANCES (UNLESS SPECIFIED) | DIMENSION STYLE | SCALE | DESIGN UNITS | THIRD ANGLE PROJECTION |
| ▽=0 | mm INCH | MM ONLY | | METRIC | |
| △=0 | | | | | |

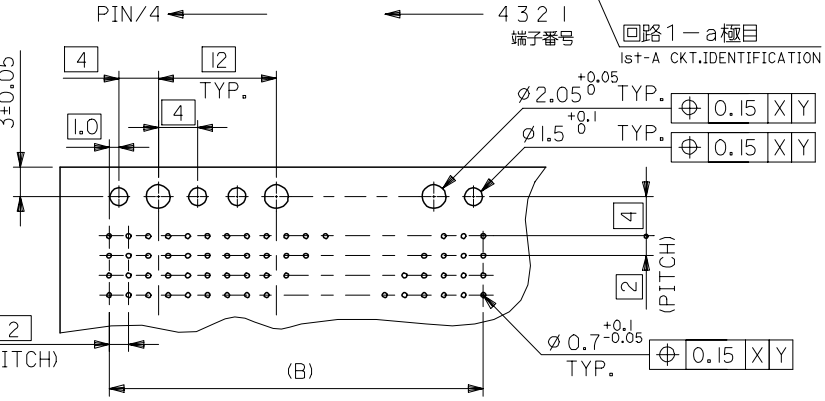
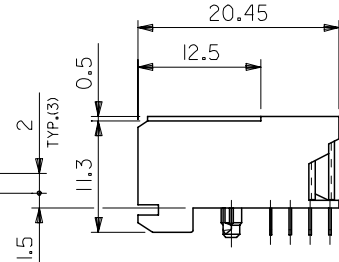
| | | |
|--|---|--------------------|
| 4 PLACES ± --- ± --- | DRAWN BY DATE | TITLE |
| 3 PLACES ± --- ± --- | S.HOSHIKAWA 1999/08/23 | |
| 2 PLACES ± 0.25 ± --- | CHECKED BY DATE | MOLEX INCORPORATED |
| 1 PLACE ± 0.25 ± --- | A.NODA 1999/08/23 | |
| ANGULAR ± 3 ° | APPROVED BY DATE | SD-54613-003 |
| | H.IKESUGI 1999/08/23 | SHEET NO. 1 OF 1 |
| DRAFT WHERE APPLICABLE MUST REMAIN WITHIN DIMENSIONS | MATERIAL NO. | |
| | SEE TABLE | |
| | SIZE A3 | |
| | THIS DRAWING CONTAINS INFORMATION THAT IS PROPRIETARY TO MOLEX INCORPORATED AND SHOULD NOT BE USED WITHOUT WRITTEN PERMISSION | |

10 9 8 7 6 5 4 3 2 1

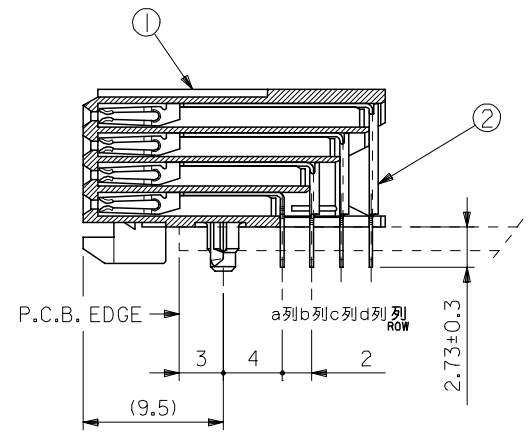
| 番号 No. | 部品 PART NAME | 材質 MATERIAL | 仕上げ FINISH |
|-----------|-------------------------------------|---|---------------|
| ① | リセプタクル ハウジング RECEPTACLE HOUSING | 液晶ポリマー、ガラス充填、自然色(白)、UL94V-0 LIQUID CRYSTAL POLYMER, GLASS FILLED, NATURAL(WHITE) | — |
| ② | リセプタクル ターミナル RECEPTACLE TERMINAL | リン青銅 PHOSPHOR BRONZE | ⚠ |



列
ROW
d列
c列
b列
a列



基板穴推奨寸法 (部品実装)
RECOMMENDED P.C.B.LAYOUT (COMPONENT SIDE)



A-A
(NON-SCALE)

注記
NOTE :

- ⚠ ターミナル めっき仕様
TERMINAL PLATING
 金めっき : 0.38 μ m MIN. (接点部)
 GOLD : 0.38 μ m MIN. (CONTACT AREA)
 半田めっき : 1.0 μ m MIN. (プレスフィット部)
 TIN-LEAD : 1.0 μ m MIN. (PRESS-FIT AREA)
 ニッケルメッキ : 2.0 μ m MIN. (下地めっき)
 NICKEL : 2.0 μ m MIN. (UNDER PLATING)
- 2. 推奨基板厚 : t=1.6, 2.4mm
RECOMMENDED P.C.B. THICKNESS : t=1.6, 2.4mm
- 3. 適合プラグ : 53901-***4, 55222-***4, 55089-***4
APPLICABLE PLUG : 53901-***4, 55222-***4, 55089-***4
- ⚠ 製品番号及びロットナンバー
MATERIAL NO. & LOT NO.

| | | | |
|----|-------|--------------|-----|
| 94 | 95.98 | 54613-1920 | 192 |
| 58 | 59.98 | 54613-1200 | 120 |
| 22 | 23.98 | 54613-0480 | 48 |
| 10 | 11.98 | 54613-0240 | 24 |
| B | A | MATERIAL NO. | PIN |

| | |
|------------------------|-------------|
| REVISED | DESCRIPTION |
| EC NO: SBFA02000750175 | |
| DRWN: FANG05 | 2007/04/10 |
| CHKD: HWANG | 2009/09/29 |
| APPR: INCHEM | 2007/04/18 |

| | |
|-----------------|-------------|
| QUALITY SYMBOLS | DESCRIPTION |
| ▽=0 | |
| △=0 | |

| GENERAL TOLERANCES (UNLESS SPECIFIED) | |
|---------------------------------------|--------|
| mm | INCH |
| 4 PLACES | ± --- |
| 3 PLACES | ± --- |
| 2 PLACES | ± 0.25 |
| 1 PLACE | ± 0.25 |
| ANGULAR ± 3 ° | |

| DIMENSION STYLE | |
|-----------------|--------------|
| MM ONLY | |
| DRAWN BY | DATE |
| S. HOSHIKAWA | 1999/08/23 |
| CHECKED BY | DATE |
| A. NODA | 1999/08/23 |
| APPROVED BY | DATE |
| H. IKESUGI | 1999/08/23 |
| MATERIAL NO. | DOCUMENT NO. |
| SEE TABLE | SD-54613-003 |

| | | |
|---|--------------|------------------------|
| SCALE | DESIGN UNITS | THIRD ANGLE PROJECTION |
| | METRIC | ◎ □ |
| TITLE | | |
| MFB B/B(FB+)REC ASSY 4ROWS PRESS-FIT | | |
| MOLEX MOLEX INCORPORATED | | |
| SIZE | SHEET NO. | |
| A3 | 1 OF 1 | |