

Motherboard - PI-EX-MB-S/16-01-2/D-SUB - 2865214

Please be informed that the data shown in this PDF Document is generated from our Online Catalog. Please find the complete data in the user's documentation. Our General Terms of Use for Downloads are valid (<http://phoenixcontact.com/download>)



Ex-i motherboard for accommodating 16 x PI-Ex supply, input or output signal conditioner modules. With interface for connecting to HART multiplexer and D-SUB pin strip for connecting the analog signals to the control system level.



Key commercial data

| | |
|--------------------------------------|-----------|
| Packing unit | 1 pc |
| Weight per Piece (excluding packing) | 953.8 GRM |
| Custom tariff number | 85389091 |
| Country of origin | Germany |

Technical data

Note

| | |
|-------------------------|---|
| Utilization restriction | EMC: class A product, see manufacturer's declaration in the download area |
|-------------------------|---|

Dimensions

| | |
|--------|----------|
| Width | 247.7 mm |
| Height | 127.5 mm |
| Depth | 92 mm |

Ambient conditions

| | |
|---|------------------|
| Ambient temperature (operation) | -20 °C ... 60 °C |
| Ambient temperature (storage/transport) | -40 °C ... 75 °C |

General

| | |
|---|---|
| Nom. voltage | 20 V DC ... 35 V DC (See nominal voltage, PI modules) |
| Housing insulation material | Polyamide PA non-reinforced, polycarbonate PC, PVC |
| Inflammability class according to UL 94 | V2 |

Motherboard - PI-EX-MB-S/16-01-2/D-SUB - 2865214

Technical data

General

| | |
|-------------|--------------------------|
| Color | green |
| Conformance | CE-compliant |
| ATEX | # II (1) GD [EEx ia] IIC |

Connection data

| | |
|--|-----------------------------|
| Connection 1 | To the control system level |
| Connection method | D-SUB pin strip |
| Conductor cross section stranded min. | 0.2 mm ² |
| Conductor cross section stranded max. | 2.5 mm ² |
| Conductor cross section solid min. | 0.2 mm ² |
| Conductor cross section solid max. | 4 mm ² |
| Conductor cross section AWG/kcmil min. | 24 |
| Conductor cross section AWG/kcmil max | 12 |
| Screw thread | M3 |
| Stripping length | 8 mm |
| Number of connections | 1 |
| Number of positions | 37 |
| Connection 2 | To the field level |
| Connection method | Screw connection |
| Conductor cross section stranded min. | 0.2 mm ² |
| Conductor cross section stranded max. | 2.5 mm ² |
| Conductor cross section solid min. | 0.2 mm ² |
| Conductor cross section solid max. | 4 mm ² |
| Conductor cross section AWG/kcmil min. | 24 |
| Conductor cross section AWG/kcmil max | 12 |
| Screw thread | M3 |
| Stripping length | 8 mm |
| Number of connections | 16 |
| Number of positions | 2 |
| Tightening torque, min | 0.5 Nm |
| Tightening torque max | 0.6 Nm |

Classifications

eCl@ss

| | |
|------------|----------|
| eCl@ss 4.0 | 27141127 |
| eCl@ss 4.1 | 27141127 |
| eCl@ss 5.0 | 27371603 |

Motherboard - PI-EX-MB-S/16-01-2/D-SUB - 2865214

Classifications

eCl@ss

| | |
|------------|----------|
| eCl@ss 5.1 | 27371603 |
| eCl@ss 6.0 | 27371603 |
| eCl@ss 7.0 | 27371603 |
| eCl@ss 8.0 | 27371603 |

ETIM

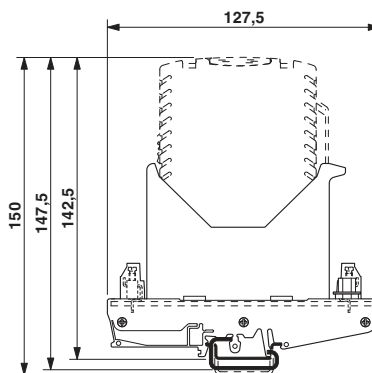
| | |
|----------|----------|
| ETIM 2.0 | EC000764 |
| ETIM 3.0 | EC001456 |
| ETIM 4.0 | EC001456 |
| ETIM 5.0 | EC001456 |

UNSPSC

| | |
|---------------|----------|
| UNSPSC 6.01 | 30211811 |
| UNSPSC 7.0901 | 39121410 |
| UNSPSC 11 | 39121410 |
| UNSPSC 12.01 | 39121410 |
| UNSPSC 13.2 | 39121410 |

Drawings

Dimensioned drawing



Motherboard - PI-EX-MB-S/16-01-2/D-SUB - 2865214

Dimensioned drawing

