

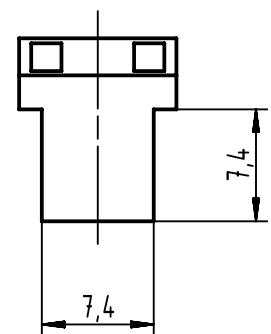
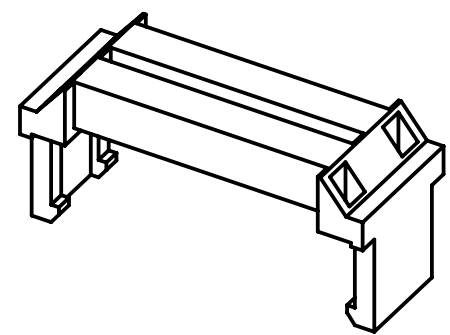
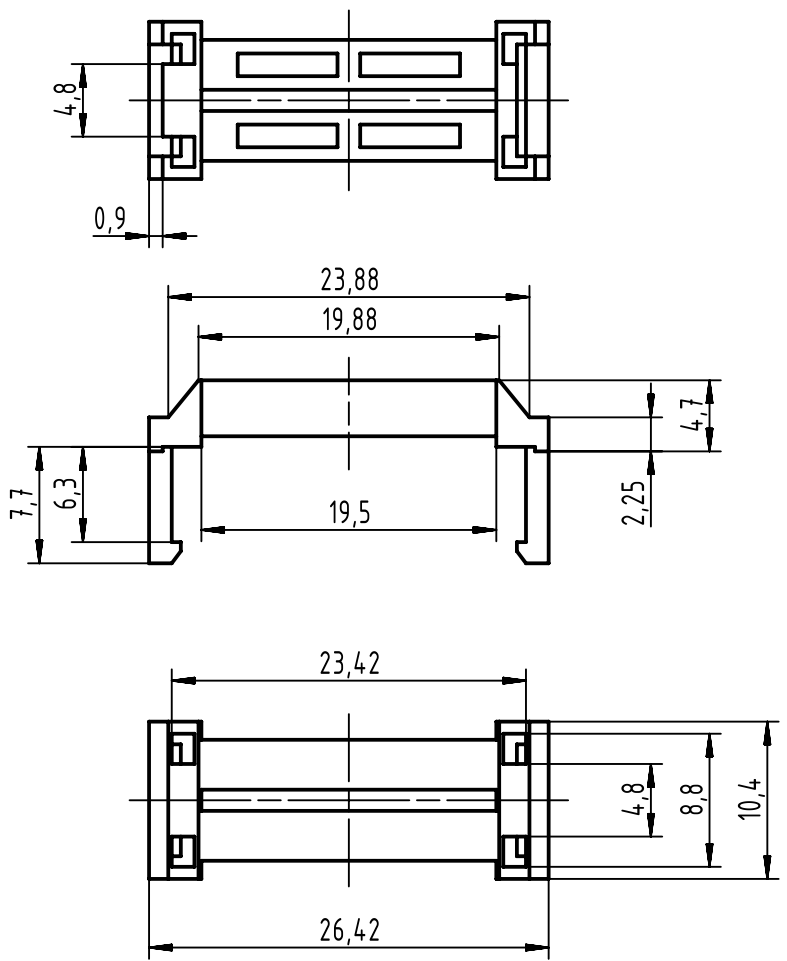
1 2 3 4 5 6


A

B

C

D



	All rights reserved		Scale 2:1		Free size tol.		Ref.	
	Department EC PD - CN		Created by ZENG D		Inspected by LUOK		Sub.	
HARTING Electronics GmbH D-32339 Espelkamp		Standardisation HOFFMANN		Date 2016-05-10		State Final Release		
		Title Strain relief for D-Sub IDC 15-pole						Doc-Key / ECM-Nr. 100580002/UGD/000/B 500000104176
		Type TB		Number 09662080001		Rev. B		Page 1/1