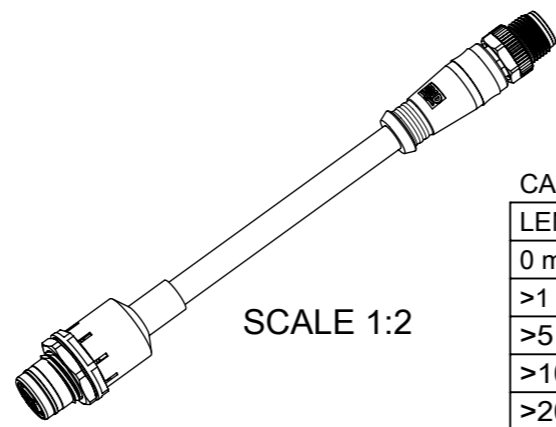


NOTES:
 VOLTAGE RATING: 48 V
 CURRENT RATING: 0.5 A
 TEMPERATURE RATING:
 STATIC: -40 °C TO 80 °C
 DYNAMIC: -25 °C TO 80 °C
 IP RATING: IP 67 (IN MATED AND LOCKED CONDITION)
 TRANSMISSION CHARACTERISTICS ACCORDING TO ISO/IEC 11801 CLASS E_A CHANNEL,
 WITH INSERTION LOSS BEING IGNORED FOR CABLE LENGTHS <1 m OR >65 m
 PACKAGING: CORDSETS ARE PACKED IN A POLYBAG

BILL OF MATERIAL

ITEM	QTY	DESCRIPTION	MATERIAL	FINISH/COLOR
1	1	CABLE 4X(2X AWG26/7) CAT 7	TPE	GREEN
2	8	CONTACT M12 XC MA	BRASS	Au PLATED
3	1	SHIELD SLEEVE MA	Zn DIE-CAST	Ni PLATED
4	1	INSERT M12 XC MA	PA	BLACK
5	1	M12 HYBRID COUPLING NUT	BRASS	Ni PLATED
6	8	CONTACT M12 XC FE	BRASS	Au PLATED
7	2	SHIELD SLEEVE FE	Zn	Ni PLATED
8	1	INSERT M12 XC FE	PA	BLACK
9	1	SHELL M12 XC FE	BRASS	Ni PLATED
10	1	LOCKNUT	BRASS	Ni PLATED
11	-	OVERMOLD	TPU	BLACK
12	1	LABEL 2.0X1.75	VINYL	YELLOW



CABLE LENGTH TOLERANCES

LENGTH	TOLERANCE
0 m - 1 m	+40 mm
>1 m - 5 m	+60 mm
>5 m - 10 m	+80 mm
>10 m - 20 m	+140 mm
>20 m - 30 m	+160 mm
>30 m	+1% length

TABLE 1

MOLEX P/N	ENGINEERING NO.	DESCRIPTION	LENGTH
1203410885	ERWKEU7021M005	M12 CAT6A REC-F/M XC ST TPE GREEN	500
1203410886	ERWKEU7021M010	M12 CAT6A REC-F/M XC ST TPE GREEN	1000
1203410887	ERWKEU7021M020	M12 CAT6A REC-F/M XC ST TPE GREEN	2000
1203410888	ERWKEU7021M050	M12 CAT6A REC-F/M XC ST TPE GREEN	5000
1203410889	ERWKEU7021M100	M12 CAT6A REC-F/M XC ST TPE GREEN	10000

THIS DRAWING CONTAINS INFORMATION THAT IS PROPRIETARY TO MOLEX ELECTRONIC TECHNOLOGIES, LLC AND SHOULD NOT BE USED WITHOUT WRITTEN PERMISSION

FUNCTIONAL DIMENSION UNITS: mm SCALE: 2:1

GENERAL TOLERANCES (UNLESS SPECIFIED):
 ANGULAR TOL ± 1.0°
 4 PLACES ±
 3 PLACES ±
 2 PLACES ± 0.05
 1 PLACE ± 0.3
 0 PLACES ± 0.5

DRAFT WHERE APPLICABLE MUST REMAIN WITHIN DIMENSIONS

THIRD ANGLE PROJECTION

DRAWING: A3-SIZE

SERIES: 120341

MATERIAL NUMBER: SEE TABLE 1

CUSTOMER: GENERAL MARKET

SHEET NUMBER: 1 OF 1

EC NO: 692351
 DRWN: ARPITT
 APPR: RSILLER
 INITIAL REVISION:
 DRWN: RSCHIEBER
 APPR: RSILLER

2022/01/19
 2022/01/25
 2022/01/25
 2019/05/14
 2021/03/16

molex

REC M12 CAT6A 8P AC STR TPE MA XM SHLD

PRODUCT CUSTOMER DRAWING

DOCUMENT NUMBER: 1203410885
 DOC TYPE: PSD
 DOC PART: 000
 REVISION: A3