

ASSEMBLIES	PART NUMBER	CENTER CONTACT PLATING	DIELECTRIC
Standard Receptacle with Standard Lockwasher and Nut	227754-1	Tin	Polyester
	227754-2	Gold	Polyester
	227754-3	Silver	Polyester
	227169-4, 227715-3	Gold	Fluoropolymer
Standard Receptacle with Lockwasher Terminal and Nut	5-227169-5, 227755-1	Tin	Polyester
	227169-7, 227755-2	Gold	Polyester
	227169-8, 227716-3	Gold	Fluoropolymer
Insulated Receptacle with Standard Lockwasher and Nut	227726-1	Tin	Polyester
	227726-2	Silver	Polyester
	227726-	Gold	Polyester
Sealed Receptacle	337426-1	Gold	Polypropylene Epoxy

Figure 1

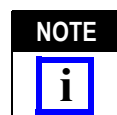
## 1. INTRODUCTION

Standard and Insulated Series BNC Solder and Receptacle Jacks are used in panel-mount applications. They are available with the combinations of dielectric material and center contact platings as shown in the table in Figure 1.

The assemblies containing a solder tab on the lockwasher are used with coaxial cables. For installations requiring ground isolation, the use of the insulated receptacle is recommended. Ground isolation can also be obtained with the standard receptacles by use of the insulating bushings as shown in Figure 3.

Sealed BNC Solder Receptacle Jacks are installed as described in Paragraph 2.1 and Figure 4.

Reasons for reissue of this instruction sheet are provided in Section 3, REVISION SUMMARY.



*Dimensions in this instruction sheet are in millimeters [with inches in brackets]. Figures are for reference only and are not drawn to scale.*

## 2. INSTALLATION PROCEDURES

### 2.1. Solder Receptacle Jacks

1. First determine mounting requirements. Panel cut-out dimensions are shown in Figure 2.
2. Insert the threaded portion of the jack through the cut-out.
3. Slip on the lockwasher and thread on and tighten the nut.
4. Solder the wire to the tab as required.

5. Terminate the tab:
  - a. On the solder terminal (lockwasher) where this style assembly is used.
  - b. On insulated receptacle when this style assembly is used.

### 2.2. Panel Insulating Bushings

1. For installation requiring insulating bushings, use the panel cut-out as shown in Figure 3.
2. Assemble one bushing on each side of panel.
3. Insert the threaded portion of the jack through the bushings.
4. Slip on the solder terminal (lockwasher), and thread on and tighten the nut.
5. Solder the wire to the tab.
6. Terminate the tab on the solder terminal as required.

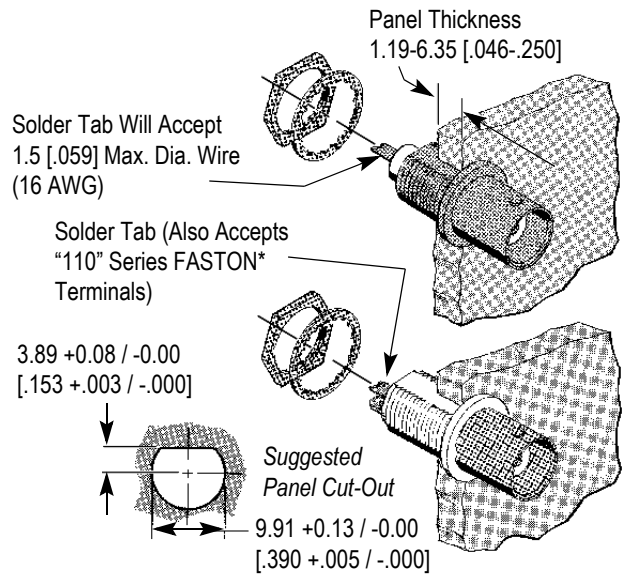
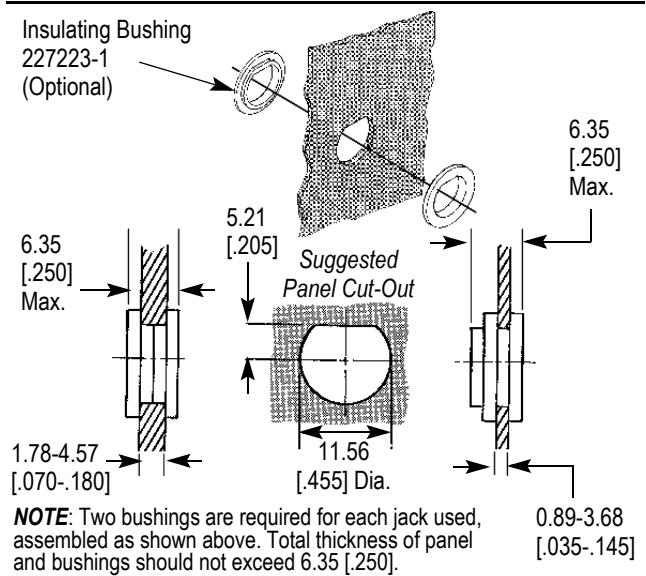


Figure 2

### 2.3. Sealed BNC Solder Receptacle Jacks

1. First determine mounting requirements and panel cut-out dimensions as shown in Figure 4.
2. Assemble the gasket to the receptacle flange.
3. Insert the threaded portion of the jack through the cut-out.
4. Slip on the lockwasher, and thread on and tighten the nut.
5. Solder the wire to the center contact solder cup as required.
6. Terminate the solder tab as required.



**NOTE:** Two bushings are required for each jack used, assembled as shown above. Total thickness of panel and bushings should not exceed 6.35 [.250].

Figure 3

### 3. REVISION SUMMARY

Since the last revision to this document, the following has changed:

- Updated part numbers in Figure 1.
- Updated document to corporate requirements.

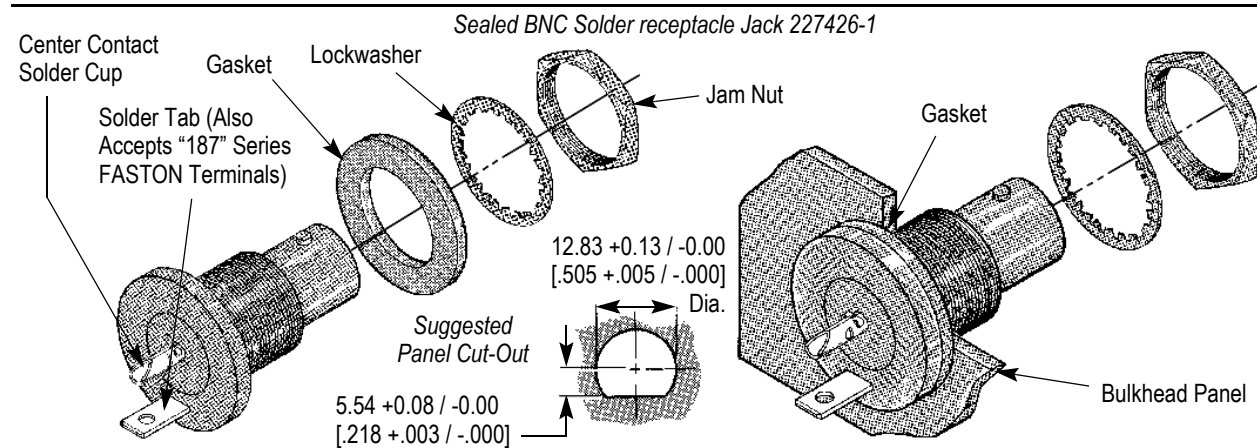


Figure 4