



MADE IN THE USA

### Product Description:

- Respiratory Hygiene Station
- Holds two boxes of face masks, one - two boxes of facial tissue, and one hand sanitizer bottle or hand sanitizing wipe canister
- Keyholes for wall mounting, can sit on a counter, or mount to a floor stand
- BOWMAN® Signature Series - Maple Fauxwood ABS Plastic

### Primary Area for Product Usage:

- Anywhere respiratory hygiene products are needed

### Dispenses:

- Left: Bottles no larger than 4.06"W x 4.06"D (10.5 cm x 10.5 cm)
- Middle: Box(es) no larger than 7.75"W x 4.00"H x 4.75"D (19.7 cm x 10.2 cm x 12.1 cm)
- Right: Box(es) no larger than 5.50"W x 10.00"H x 4.75"D (14.0 cm x 25.4 cm x 12.1 cm)

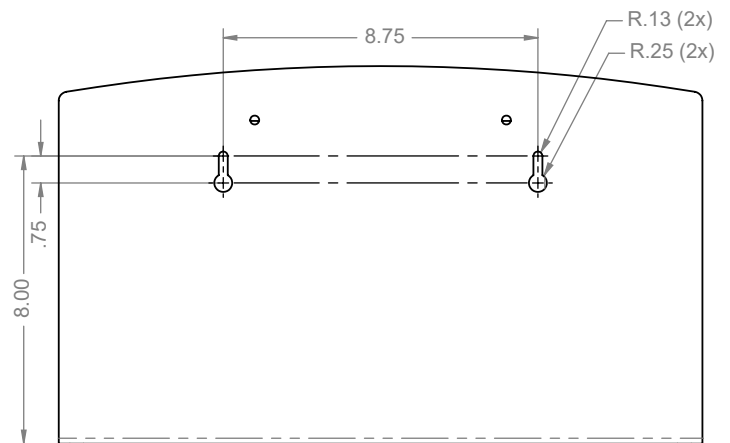
### Package Specifications:

- Package Quantity: 3 per case
- 20"L x 16"W x 12"H (50.8 cm x 40.6 cm x 30.5 cm)
- 9.0 lbs (4.1 kg) - approximated

### Product Specifications (overall external dimensions):

- 17.90"W x 10.50"H x 4.45"D (45.5 cm x 26.7 cm x 11.3 cm)
- 1.7 lbs (0.8 kg) - approximated

### Mounting Specifications:



### Related Products (each sold separately):

- RS001-0233: BOWMAN® Signature Series, Respiratory Hygiene Station, Cherry Fauxwood ABS Plastic (shown below)

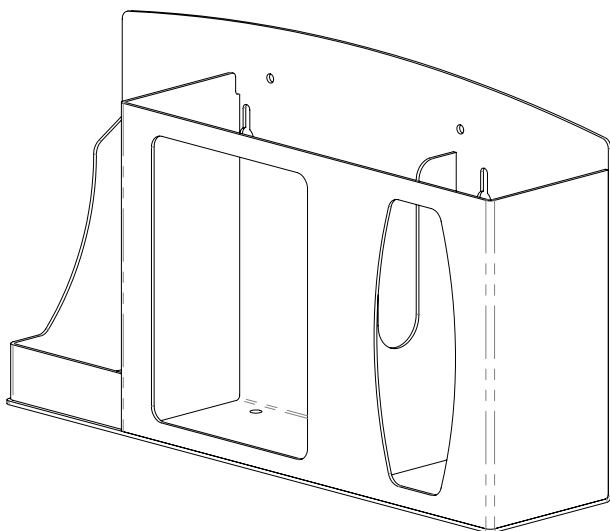




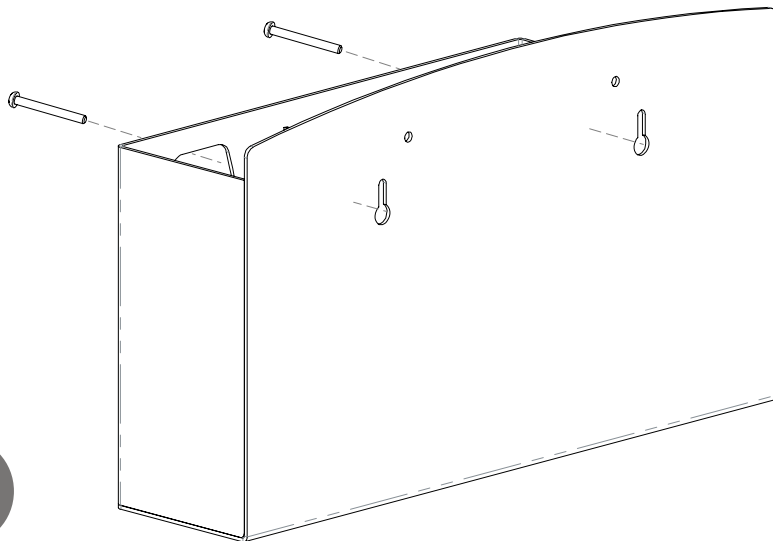
## Installation

Always mount dispensers securely *prior* to loading with product.

- Versatile design suited for a counter, wall, or stand to encourage use of personal protection and prevent spreading of illnesses.



- Mount securely to a wall with screws approved and supplied by building maintenance.



### Parts included:

- Dispenser

### Tools Required:

- No tools required to assemble dispenser

## Care and Construction

Fauxwood ABS Plastic

### Material Characteristics

#### Designed for Long-Term, Heavy-Duty Applications

The combination of copolymers (Acrylonitrile, Butadiene, and Styrene) gives ABS an excellent combination of strength, rigidity, and toughness. The fauxwood finish is ARVINYL laminate created from a semi-rigid film.

ABS is chemical and stress-crack resistant. It is tough, dimensionally stable, and will hold up to long-term use. To ensure product longevity, fauxwood products should not be mounted in very hot or cold areas.

### Care and Cleaning

Use mild soap and water to clean. Petroleum-based oils, solvents, and paints should not be used.

Standard hospital cleaning supplies are approved for use on our ABS plastic products.