

THIS DRAWING IS UNPUBLISHED.

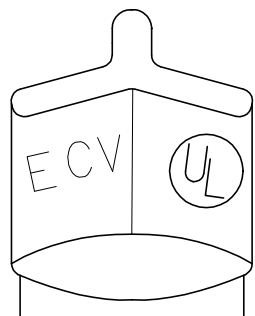
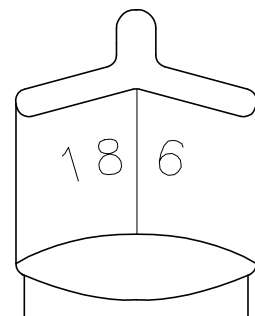
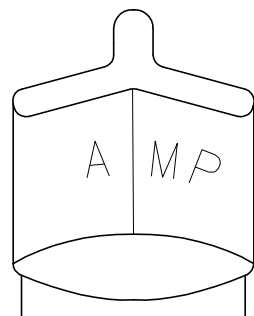
RELEASED FOR PUBLICATION

© COPYRIGHT - TE Connectivity Ltd.

ALL RIGHTS RESERVED.

REVISIONS

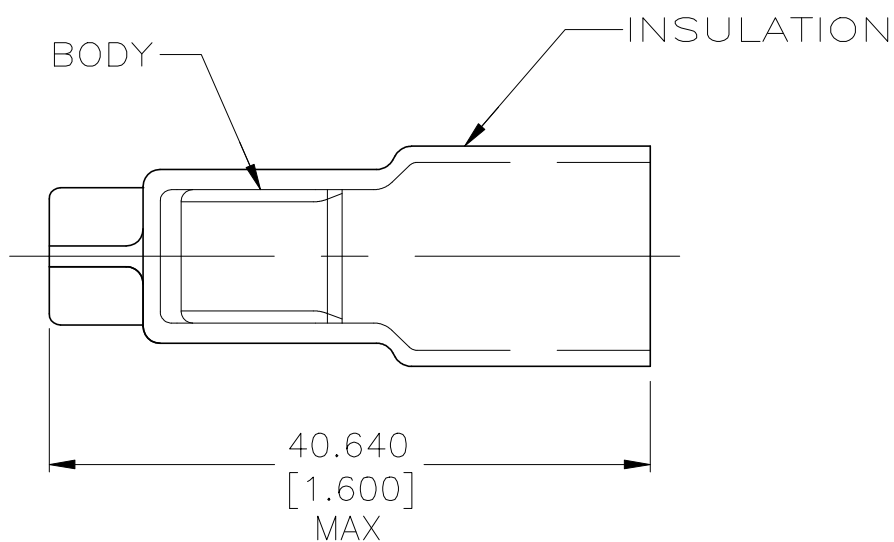
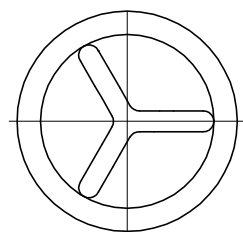
| P | LTR | DESCRIPTION | DATE | DWN | APVD |
|----|-----|---------------------------|-----------|-----|------|
| J | | REV PER 0G3A-0256-04 | 13APR04 | JR | TM |
| J1 | | REVISED PER ECO-19-003379 | 03JUL2019 | RS | DR |



STAMPING DETAIL

- 1 FOR 12.700 [.500] MAX WIRE INSULATION DIA
- 2 MATERIAL: BODY; COPPER PER ASTM B152 INSULATION; PVC
- 3 FINISH: COLOR; BLUE

| | |
|----------------------------|----------------------------|
| AMP WIRE RANGE | UL Listed |
| 18-6 AWG SOLID OR STRANDED | 18-6 AWG SOLID OR STRANDED |



| | | |
|-----|-------------|---------|
| 250 | LOOSE PIECE | 53891-1 |
| QTY | DESCRIPTION | PART NO |

AMP INCORPORATED CUSTOMER SERVICE SYSTEMS

FOR ADDITIONAL PRODUCT INFORMATION OR COPIES OF DRAWINGS AND TECHNICAL DOCUMENTS

PRODUCT INFORMATION CENTER 1-800-522-6752

FOR APPLICATION TOOLING INFORMATION

TOOLING ASSISTANCE CENTER 1-800-722-1111

FOR ORDER ENTRY

1-800-526-5142

THIS DRAWING IS A CONTROLLED DOCUMENT FOR AMP INCORPORATED. IT IS SUBJECT TO CHANGE AND THE CONTROLLING ENGINEERING ORGANIZATION SHOULD BE CONTACTED FOR THE LATEST REVISION.

MAX RECOMMENDED OPERATING TEMPERATURE:

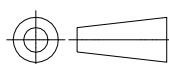
105°C [221°F] MAX

VOLTAGE RATING: 600V MAX (BUILDING & WIRING) 1000V MAX (FIXTURES & SIGNS)

CIRCULAR MIL AREA: 9.88-21.64mm² [19500-42700] SOLID OR STRANDED

THIS DRAWING IS A CONTROLLED DOCUMENT.

DIMENSIONS: mm [INCHES]



TOLERANCES UNLESS OTHERWISE SPECIFIED:

- 0 PLC ± -
- 1 PLC ± -
- 2 PLC ± 0.203[.008]
- 3 PLC ± -
- 4 PLC ± -
- ANGLES ± -

MATERIAL



FINISH



DWN G KRUPER 12/21/92
CHK R HERSEY 1-8-93
APVD M ELLIS 1-8-93

PRODUCT SPEC
UL486C
APPLICATION SPEC

WEIGHT -
CUSTOMER DRAWING



NAME
SPLICE, WIRE, CLOSED END
18-6 AWG

| | | | |
|-------|-----------|------------|---------------|
| SIZE | CAGE CODE | DRAWING NO | RESTRICTED TO |
| A3 | 00779 | C=53891 | - |
| SCALE | SHEET | REV | |
| 2:1 | 1 OF 1 | J1 | |