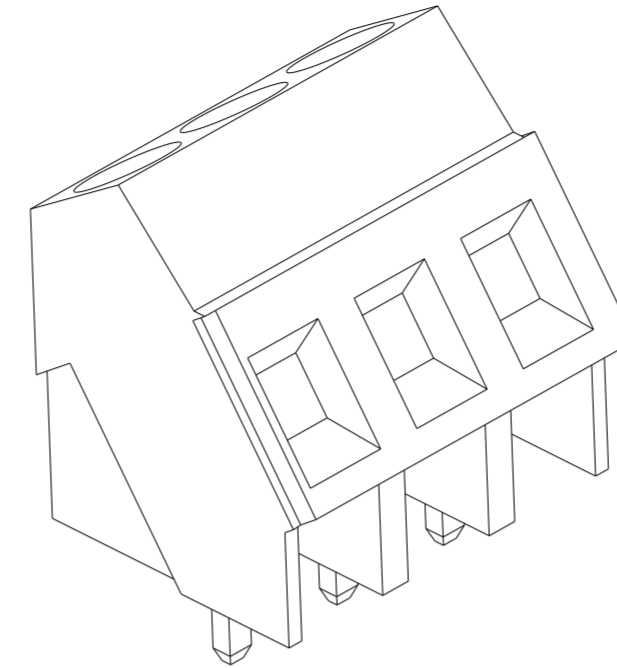
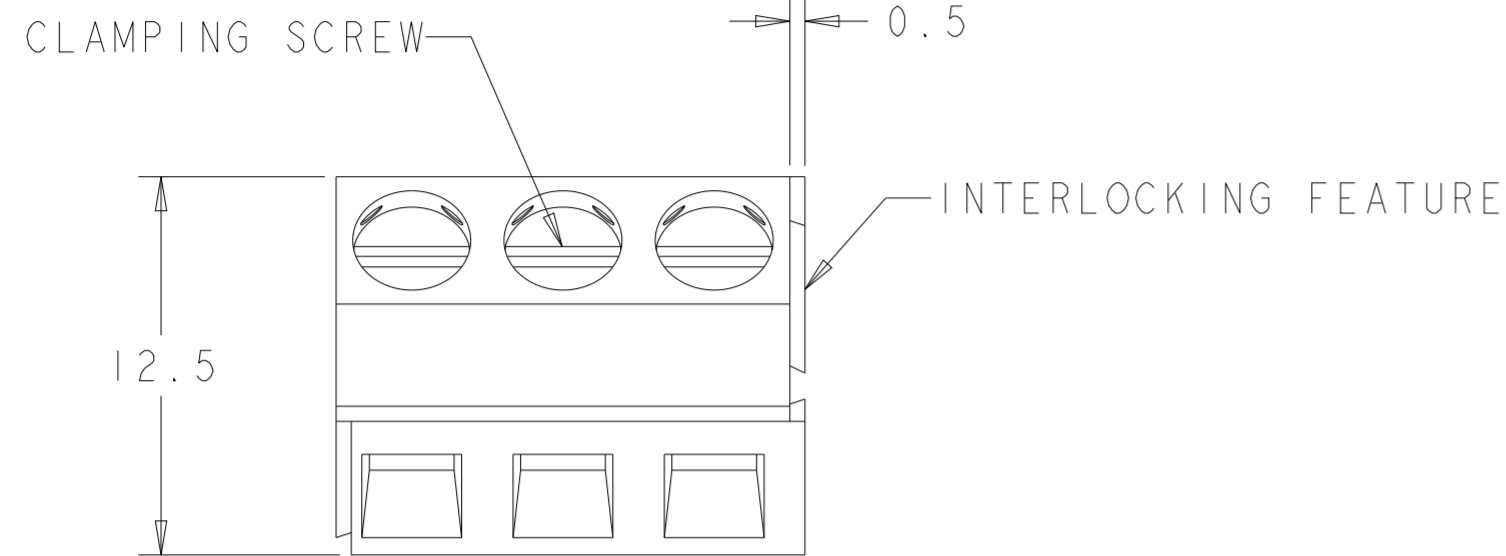
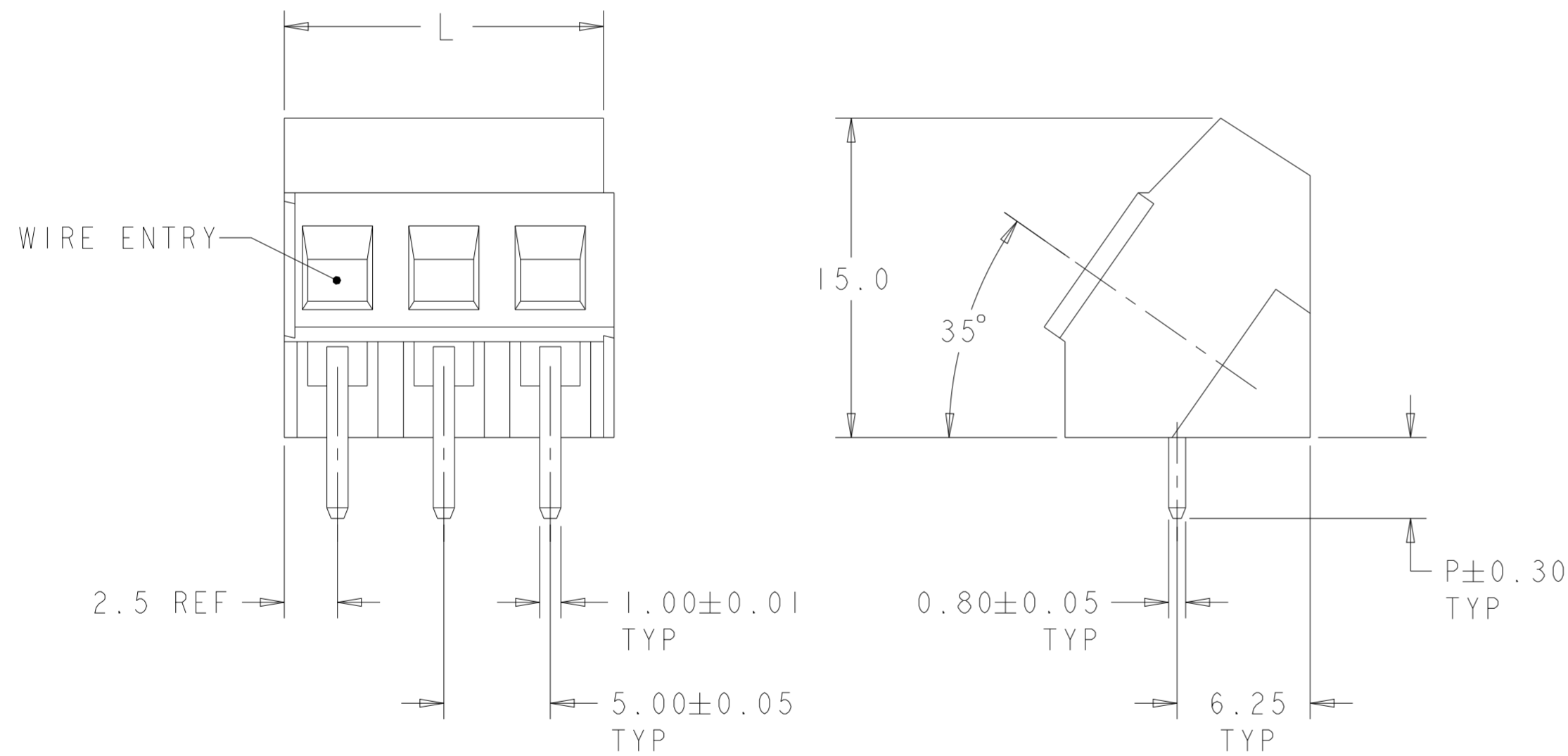


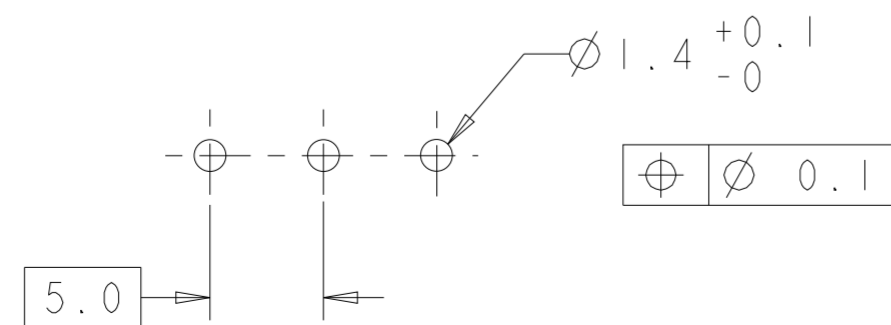
P	LTR	DESCRIPTION	DATE	DWN	APVD
E3		REVISED PER ECO-11-008211	21APR2011	HMR	CR
E4		PART STATUS UPDATED	19OCT2021	SCB	SS



796690-3 AS SHOWN



OBSOLETE	BLACK	SEE DETAIL J	3.8	10	2	<del>5-796690-6</del>
OBSOLETE	BLACK	SEE DETAIL H	3.8	10	2	<del>5-796690-5</del>
OBSOLETE	BLACK	SEE DETAIL G	3.8	10	2	<del>5-796690-4</del>
OBSOLETE	-	-	6.0	15	3	<del>5-796690-3</del>
OBSOLETE	-	-		10	2	<del>5-796690-2</del>
OBSOLETE	△9	SEE DETAIL B	3.8	10	2	<del>4-796690-2</del>
OBSOLETE	△8	SEE DETAIL F		40	8	<del>3-796690-8</del>
OBSOLETE	△9	SEE DETAIL C		15	3	<del>3-796690-3</del>
OBSOLETE	-	-	6.0	100	20	2-796690-0
OBSOLETE	△9	SEE DETAIL C		15	3	+796690-9
OBSOLETE	△9	SEE DETAIL B		10	2	+796690-8
OBSOLETE	-	-		15	3	+796690-7
OBSOLETE	-	-	3.8	10	2	+796690-6
OBSOLETE	△8	SEE DETAIL E		25	5	+796690-5
OBSOLETE	△8	SEE DETAIL D		20	4	+796690-4
OBSOLETE	△8	SEE DETAIL A		10	2	+796690-3
-	-	-		60	12	1-796690-2
-	-	-		55	11	1-796690-1
-	-	-		50	10	1-796690-0
-	-	-		45	9	796690-9
-	-	-		40	8	796690-8
-	-	-		35	7	796690-7
-	-	-	30	6	796690-6	
-	-	-	25	5	796690-5	
-	-	-	20	4	796690-4	
-	-	-	15	3	796690-3	
-	-	-	10	2	796690-2	
INK COLOR	MARKING	P	L	NO OF POSN	PART NUMBER	



RECOMMENDED PC BOARD LAYOUT

THIS DRAWING IS A CONTROLLED DOCUMENT.

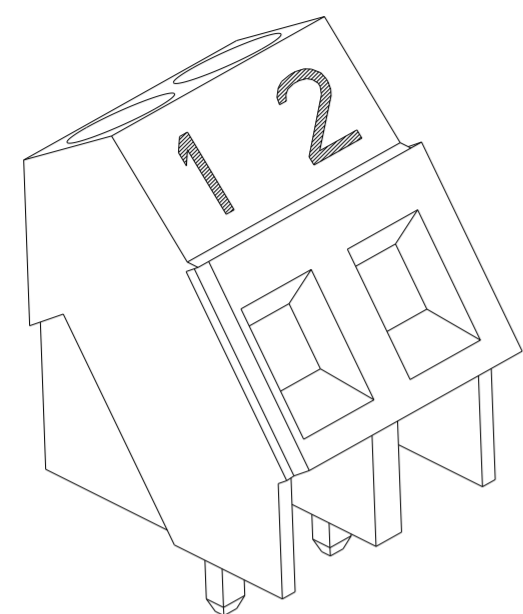
DIMENSIONS:	TOLERANCES UNLESS OTHERWISE SPECIFIED:	DWN	E. ZANOLINI	14MAR2001
mm	0 PLC ±3	CHK	D. BIEVENOUR	14MAR2001
	1 PLC ±.25	APVD	D. BIEVENOUR	14MAR2001
	2 PLC ±.	PRODUCT SPEC	108-20166	
	3 PLC ±.	APPLICATION SPEC	114-20079	
	4 PLC ±.	WEIGHT	-	
	ANGLES ±2	CUSTOMER DRAWING		
MATERIAL	FINISH	SIZE	A2	00779
		CAGE CODE	C-796690	
		DRAWING NO		
		RESTRICTED TO		
		SCALE	3:1	
		SHEET	1	OF 2
		REV	E4	

TE Connectivity

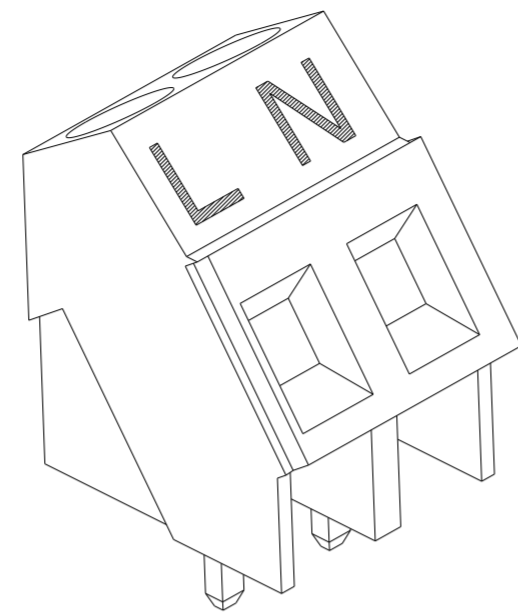
NAME: TERMINAL BLOCK, PCB MOUNT  
ANGLED WIRE ENTRY, STACKING  
W/INTERLOCK, 5mm PITCH

REVISIONS

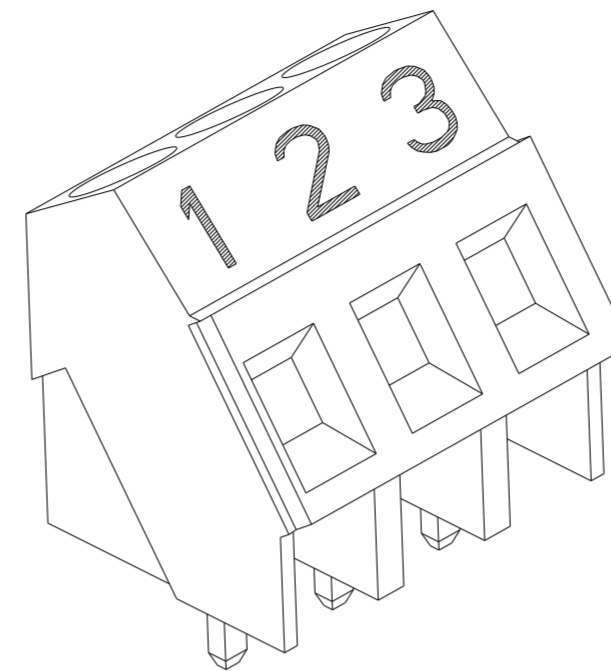
P	LTR	DESCRIPTION	DATE	DWN	APVD
-		SEE SHEET 1	-	-	-



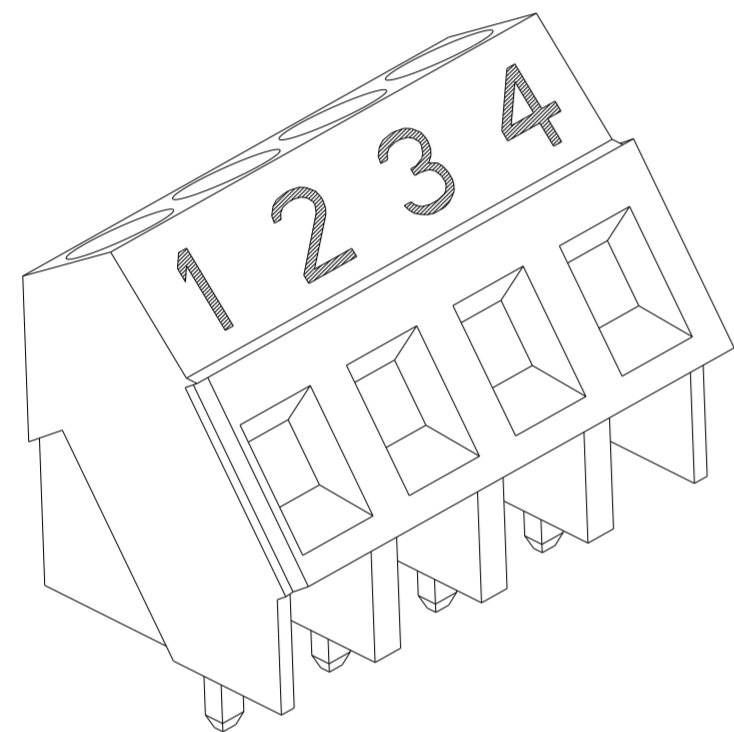
DETAIL A



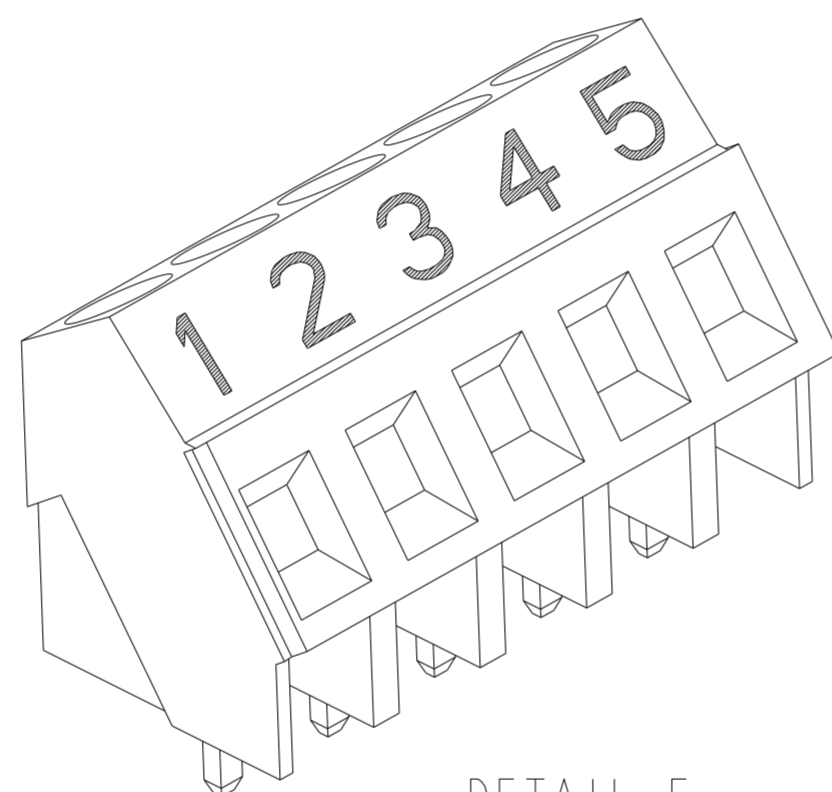
DETAIL B



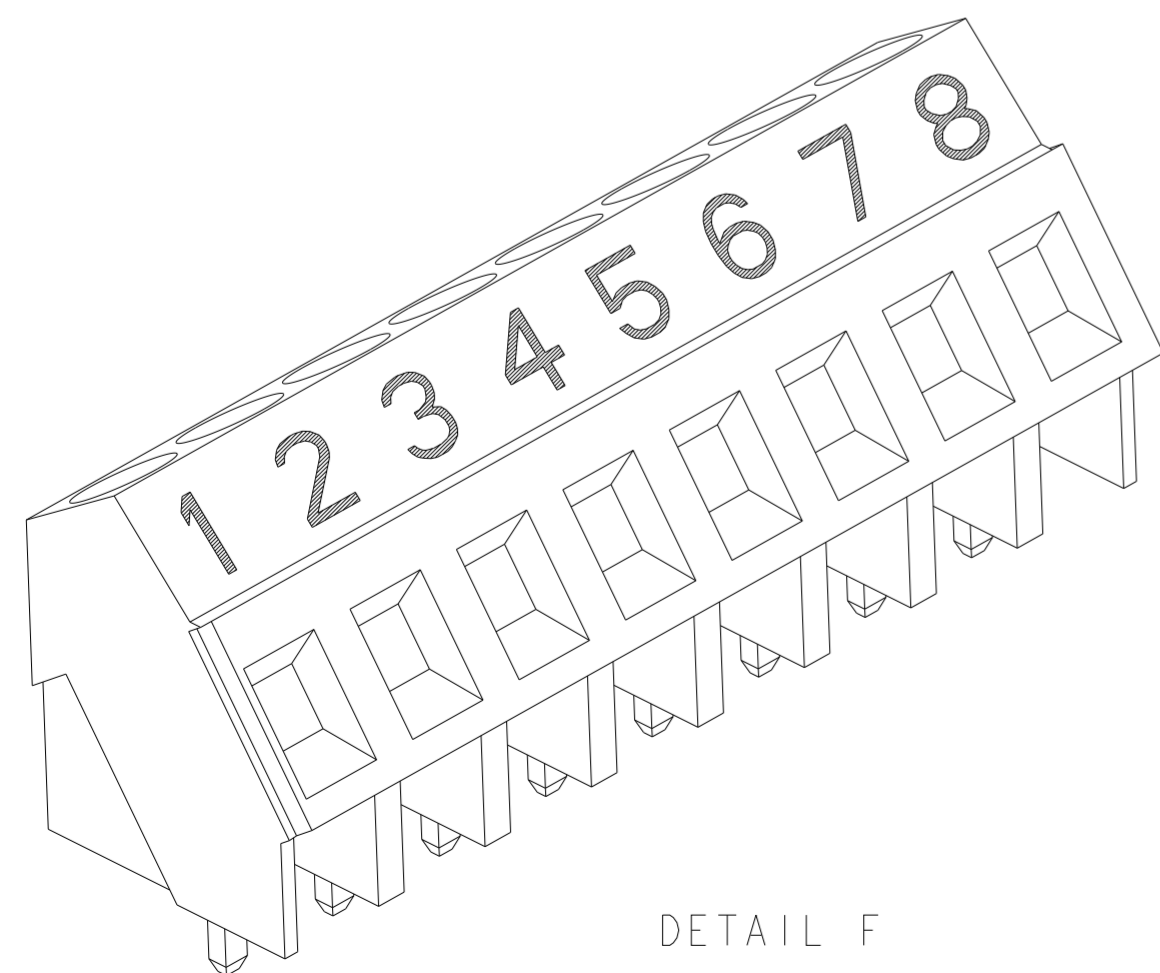
DETAIL C



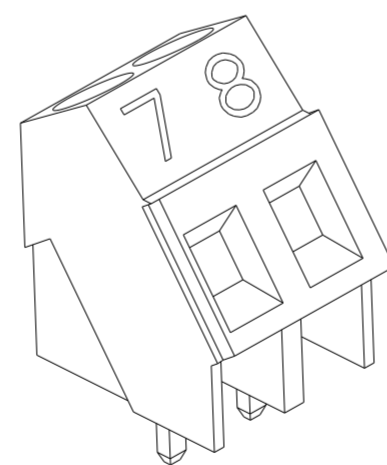
DETAIL D



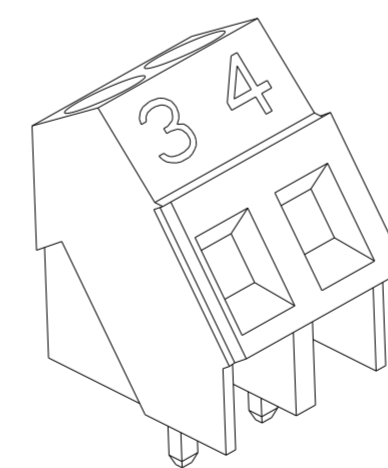
DETAIL E



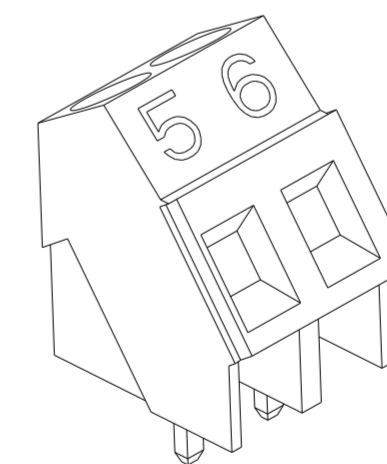
DETAIL F



DETAIL G



DETAIL H



DETAIL J

- 1. MATERIALS AND FINISH:  
HOUSING: PA 6-6, UL 94-V0, COLOR GREEN.  
CLAMP: BRASS, NICKEL PLATED.  
TERMINAL: BRASS, TIN PLATED.  
CLAMPING SCREW: M3, BRASS, NICKEL PLATED.
- 2. SUITABLE FOR 1,6-2,4mm PCB THICKNESS.
- 3. END-TO-END STACKABLE W/INTERLOCK, WITHOUT LOSS OF CENTERLINE SPACING.
- 4. WIRE RANGE: 12-30 AWG.
- 5. RECOGNIZED UNDER THE COMPONENT PROGRAM OF UNDERWRITERS LABORATORIES INC. FILE N° E60677.
- 6. IMQ CERTIFICATE WITH SURVEILLANCE IN CONFORMITY WITH IEC 998-1/998-2-1.
- 7. NOT CUMULATIVE TOLERANCE.
- 8. INK MARKED WHITE, UNLESS OTHERWISE SPECIFIED. NUMERICAL SEQUENCE FROM LEFT TO RIGHT.
- 9. INK MARKED BLACK, UNLESS OTHERWISE SPECIFIED. NUMERICAL SEQUENCE FROM LEFT TO RIGHT.
- 10. BUCHANAN LOGO TO APPEAR ON HOUSING, LOCATION OPTIONAL, WHERE SPACE PERMITS.

THIS DRAWING IS A CONTROLLED DOCUMENT.		DWN E. ZANOLINI 14MAR2001	TE Connectivity	
DIMENSIONS: mm		CHK D. BIEVENOUR 14MAR2001		
TOLERANCES UNLESS OTHERWISE SPECIFIED:		APVD D. BIEVENOUR 14MAR2001	NAME TERMINAL BLOCK, PCB MOUNT ANGLED WIRE ENTRY, STACKING W/INTERLOCK, 5mm PITCH	
0 PLC ±-		PRODUCT SPEC 108-20166	SIZE A2	
1 PLC ±3		APPLICATION SPEC 114-20079	CAGE CODE 00779	DRAWING NO G-796690
2 PLC ±.25		WEIGHT -	RESTRICTED TO -	
3 PLC ±-		CUSTOMER DRAWING		
4 PLC ±-		SCALE 3:1 SHEET 2 OF 2 REV E4		
ANGLES ±2				
FINISH				