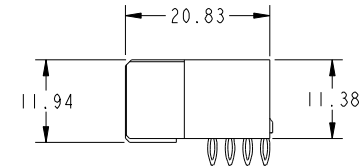
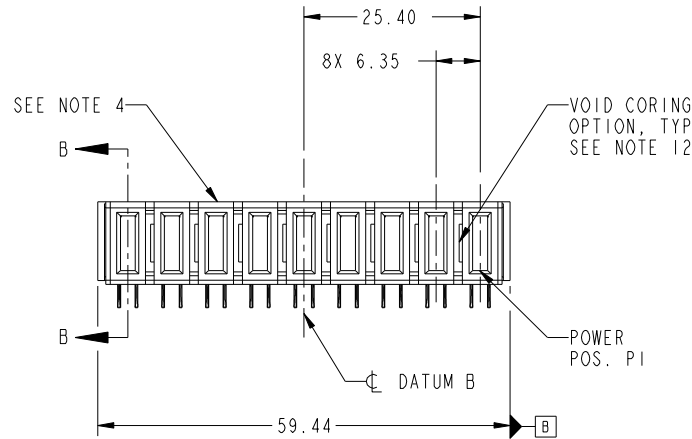


Tous droits strictement reserves. Reproduction ou communication a des tiers interdite sous quelque forme que ce soit sans autorisation écrite du propriétaire. Propriete de c FCI. Droits de reproduction FCI.



All rights strictly reserved. Reproduction or issue to third parties in any form whatever is not permitted without written authority from the proprietor. Property of FCI. Copyright FCI.

PRODUCT NO.	POWER										E1
	E2	P9	P8	P7	P6	P5	P4	P3	P2	P1	
51777-005-- NOTE 3	PG	PF	PF	PF	PF	PF	PF	PF	PF	PG	



CODE	DIM "M" MATING LENGTH	CONTACT TYPE
PF	[2.34]	POWER
PG	[1.07]	POWER

mat'l code				SEE NOTE 2		tolerances unless otherwise specified		CUSTOMER		FCI	
ltr	ecn no.	dr	date	linear	0.X ± 0.5	projection		COPY		www.fciconnect.com	
A	DG10-0074	ZWL	02/24/10	angles	0.XX ± 0.25	MIM		title		IIP	
				dr	0.XXX ± 0.1	scale		product family		PwrBlade	
				enr	0° ± 2°	1:1		size		213	
				chr	WL ZHANG 02/24/10			dwg no		51777-005	
				appd	PM ZHENG 02/24/10			sheet		1 of 4	
					Joseph Hsia 02/24/10			cage code		22526	
sheet index	revision sheet	A	A	A	A						
		1	2	3	4						

Pro/E

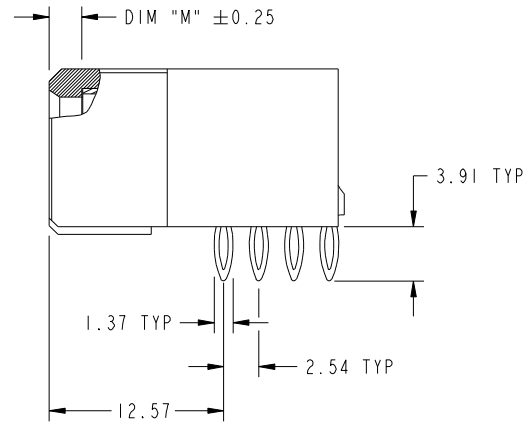
cage code 22526

Tous droits strictement reserves. Reproduction ou communication a des tiers interdite sous quelque forme que ce soit sans autorisation écrite du propriétaire. Propriete de c FCI. Droits de reproduction FCI.



All rights strictly reserved. Reproduction or issue to third parties in any form whatever is not permitted without written authority from the proprietor. Property of FCI. Copyright FCI.

PRODUCT NUMBER
51777-005--
NOTE 3



BROKEN-OUT SECTION B-B
SCALE 2:1

mat'l code		SEE NOTE 2		tolerances unless otherwise specified		CUSTOMER		FCI	
ltr	ecr no.	dr	date	linear	0.X ±0.5	COPY		www.fciconnect.com	
A				linear	0.XX ±0.25	projection		title	
				angles	0.XXX ±0.1			IIP R/A PRESS FIT RECEPTACLE	
				dr	0° ±2°			product family PwrBlade code	
				enr	WL ZHANG 02/24/10	scale		size	
				chr	WL ZHANG 02/24/10	1:1		dwg no 213	
				appd	PM ZHENG 02/24/10	A		sheet 51777-005	
					Joseph Hsia 02/24/10			2 of 4	
sheet index	revision sheet								

cage code 22526

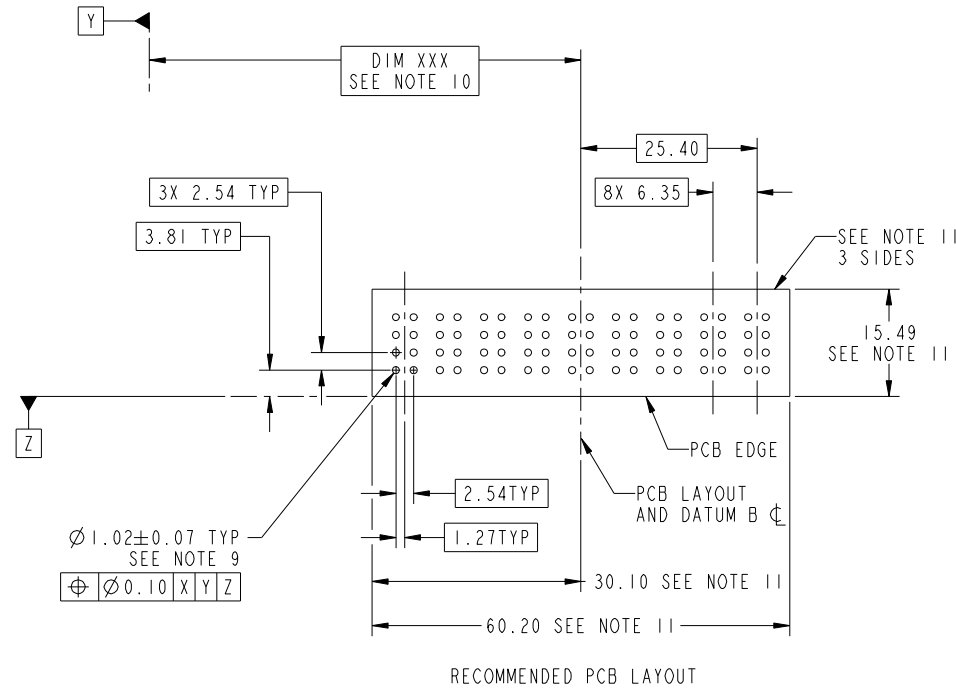
Pro/E

Tous droits strictement reserves. Reproduction ou communication a des tiers interdite sous quelque forme que ce soit sans autorisation écrite du propriétaire. Propriete de c FCI. Droits de reproduction FCI.



All rights strictly reserved. Reproduction or issue to third parties in any form whatever is not permitted without written authority from the proprietor. Property of FCI. Copyright FCI.

PRODUCT NUMBER
51777-005--
NOTE 3



mat'l code		SEE NOTE		tolerances unless otherwise specified		CUSTOMER		 www.fciconnect.com	
ltr	ecr no.	dr	date	linear	0.X ±0.5	COPY		title	
A					0.XX ±0.25	projection		IIP	
				angles	0.XXX ±0.1			R/A PRESS FIT RECEPTACLE	
				dr	0° ±2°			product family	
				enr	WL ZHANG 02/24/10	scale		PwrBlade	
				chr	WL ZHANG 02/24/10	1:1		code	
				appd	PM ZHENG 02/24/10	A		213	
sheet index		revision sheet		Joseph Hsia 02/24/10		size		3 of 4	
						dwg no		51777-005	
						sheet		3 of 4	

cage code 22526

Pro/E

Tous droits strictement reserves. Reproduction ou communication a des tiers interdite sous quelque forme que ce soit sans autorisation écrite du propriétaire. Propriete de c FCI. Droits de reproduction FCI.



All rights strictly reserved. Reproduction or issue to third parties in any form whatever is not permitted without written authority from the proprietor. Property of FCI. Copyright FCI.

PRODUCT NUMBER
51777-005--
NOTE 3

NOTES:

1. DIMENSIONS AND TOLERANCES ARE IN ACCORDANCE WITH ASME Y14.5M, 1994 UNLESS OTHERWISE SPECIFIED.

CONNECTOR NOTES:

- 2. HOUSING MATERIAL: UL 94 V-0 GLASS FILLED HIGH-TEMP THERMOPLASTIC
POWER CONTACT MATERIAL: COPPER ALLOY
SIGNAL PIN MATERIAL: COPPER ALLOY
- 3. PLATING:
SEE ITEM 7 & 8 IN PRINT 10064183 FOR PLATING SPEC OF 851777-005LUB 51777-005LUBLF 51777-005;51777-005LF PRESPECTIVELY.
- 4. MANUFACTURER'S NAME, DATE CODE AND OPTIONAL P/N TO APPEAR ON THIS SURFACE. THE P/N CAN BE OMITTED IF THERE IS NOT ENOUGH SPACE ON THIS SURFACE.
- 5. PRODUCT SPECIFICATION GS-12-149.
APPLICATION SPECIFICATION BUS-20-067.
- 6. PACKAGED IN TRAYS.

PCB NOTES:

- 7. ALL HOLE DIAMETERS ARE FINISHED HOLE SIZE.
- 8. MOUNTING HOLES, WHERE APPLICABLE, ARE UNPLATED.
- 9. $\varnothing 1.151 \pm 0.025$ DRILLED HOLES PLATED WITH
0.008 MIN SnPb OR Sn OVER 0.03
TO 0.08 Cu PLATING TO ACHIEVE
 $\varnothing 1.02 \pm .07$ HOLE.
- 10. "DIM XXX" TO BE DETERMINED BY THE CUSTOMER.
- 11. CONNECTOR KEEP-OUT ZONE.
- 12. THE VOID CORING IN BETWEEN POWER MODULES, SIGNAL MODULES AND END MODULES ARE OPTIONAL AND THE SHAPE MAY BE DIFFERENT FOR OPTIMIZE THE MOLDING PROCESS. THE VOID CORING WILL NOT EFFECT TO PRODUCT FUNCTION.
- 13. USE FCI CAM TOOL 430140-XXX TO APPLY CONNECTOR TO PCB.
- 14. APPLY ZIPCHEM LUBE TO THE CONTACT AREA OF POWER CONTACTS;ADN THE SUFFIX CODE "LUB" STANDS FOR LUBE.

mat'l code				SEE NOTE 2		tolerances unless otherwise specified		CUSTOMER		FCI		www.fciconnect.com			
ltr	ecr no.	dr	date	linear	0.X ± 0.5		COPY		projection	title			IIP R/A PRESS FIT RECEPTACLE		
A					0.XX ± 0.25		MIM			product family		PwrBlade		code	
					0.XXX ± 0.1		← MIM →			size		dwg no		213	
				angles	0° ± 2°		scale		A		51777-005		sheet		
				dr	WL ZHANG 02/24/10		1:1						4 of 4		
				enrg	WL ZHANG 02/24/10										
				chr	PM ZHENG 02/24/10										
				appd	Joseph Hsia 02/24/10										
sheet index	revision sheet														

cage code 22526

Pro/E