

5

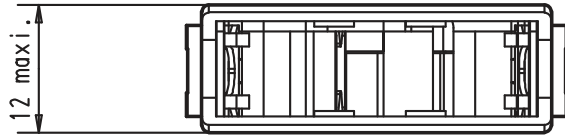
4

3

2

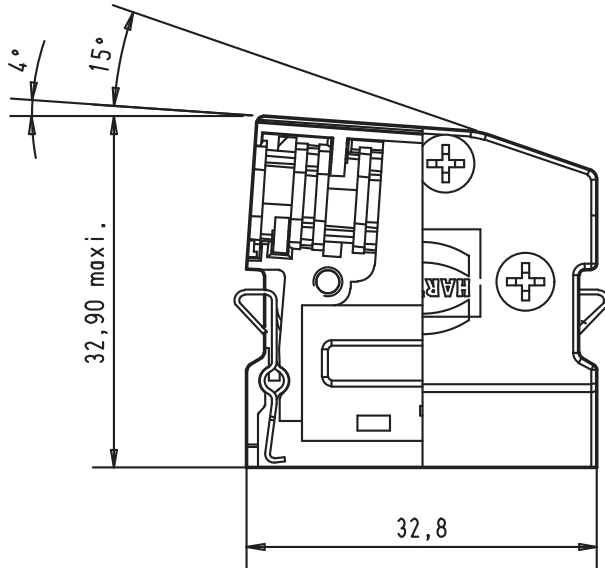
1

D



12 maxi.

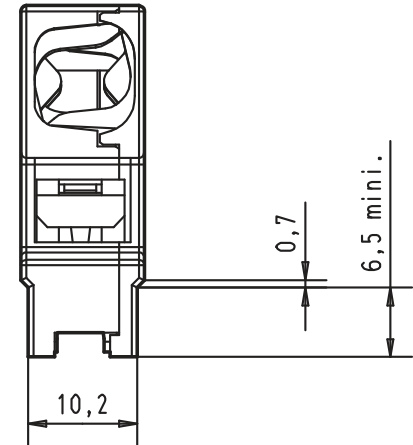
C



32,90 maxi.

32,8

B





10,2

0,7

6,5 mini.

A

6.5	8.5					Dat.	Name	 All Dim. in mm Orig. Size DIN A 4	har.mik® I/O pin/socket 26 poles cover with right angled cable entry	Maßstab/ Scale 1,5:1	
∅ mini	∅ maxi				Detail.	30-AUG-00	A1space				
					Insp.						
Valid for cable						Stand.				TB 60 03 026 0555 Sub.	Blatt/ Page 1 / 1
					Mod.	27941	30-AUG-00	A1space			