

**NOTE:**

1. MATERIAL 16GA (.051) ALUMINUM.
2. FINISH: POWDER COAT TEXTURE GRAY AND TEXTURE BLACK.

UNLESS OTHERWISE SPECIFIED:  
 DIMENSIONS ARE IN INCHES  
 TOLERANCES:  
 FRACTIONAL: NA  
 ANGULAR: BEND: NA  
 TWO PLACE DECIMAL: NA  
 THREE PLACE DECIMAL: NA  
 HOLES: NA

SURFACE AREA

MATERIAL

FINISH

DO NOT SCALE DRAWING

**WEB PRINT**

NEXT ASSY	USED ON	
CATEGORY:		

**PROPRIETARY AND CONFIDENTIAL**  
 THE INFORMATION CONTAINED IN THIS DRAWING IS THE SOLE PROPERTY OF KENDALL HOWARD. ANY REPRODUCTION IN PART OR AS A WHOLE WITHOUT THE WRITTEN PERMISSION OF KENDALL HOWARD IS STRICTLY PROHIBITED.

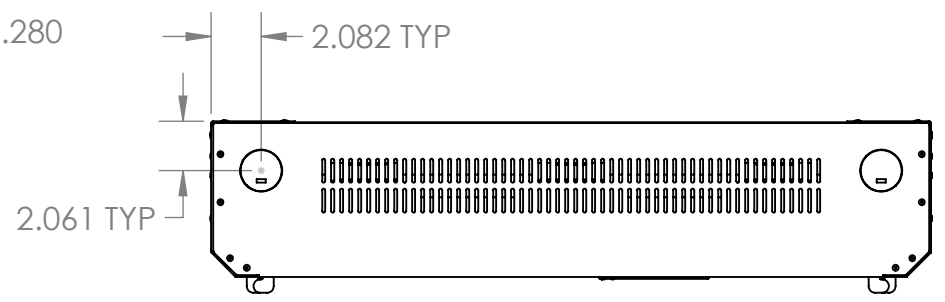
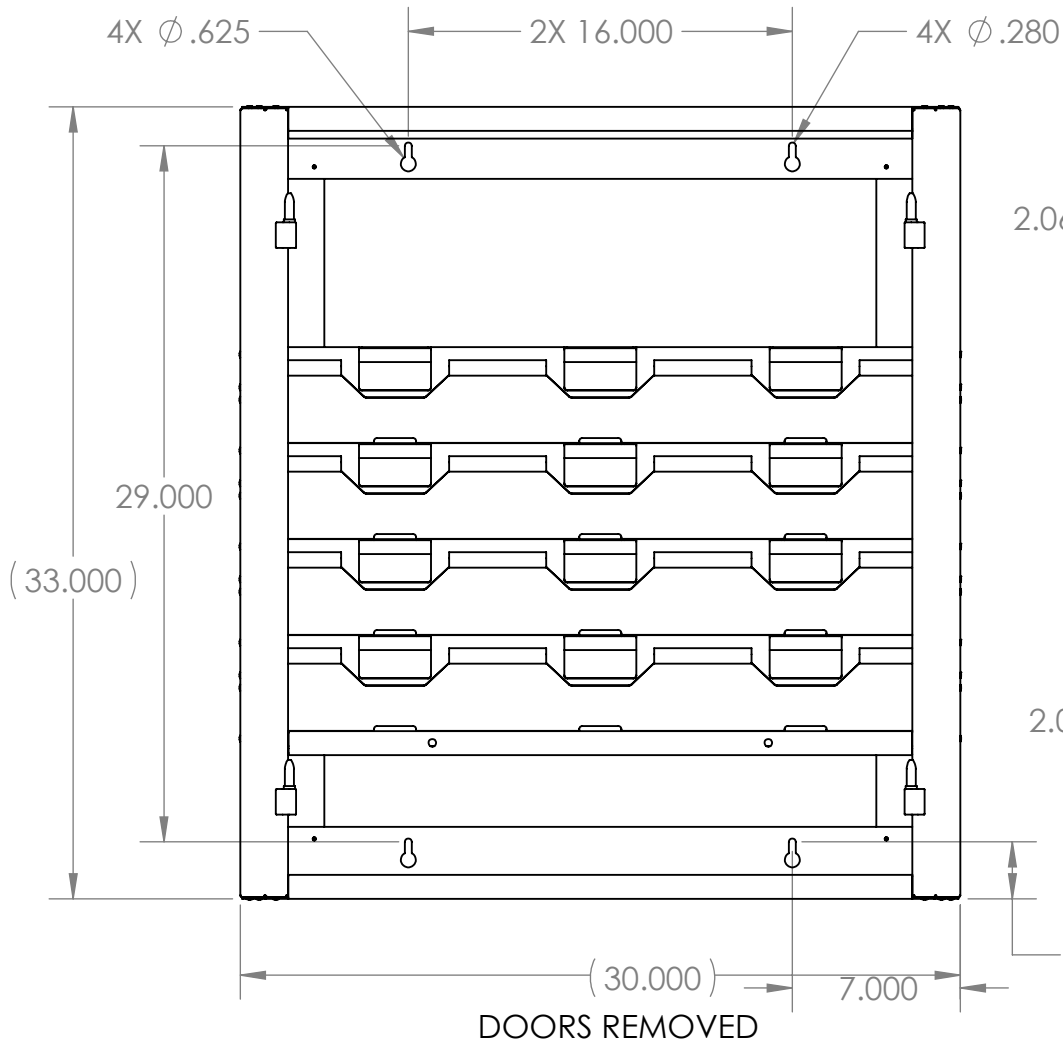
	NAME	DATE
DRAWN		
CHECKED		
ENG APPR.		
MFG APPR.		
Q.A.		
COMMENTS:		

**KENDALL HOWARD**

TITLE:  
**WALL MOUNT CHARGING STATION**

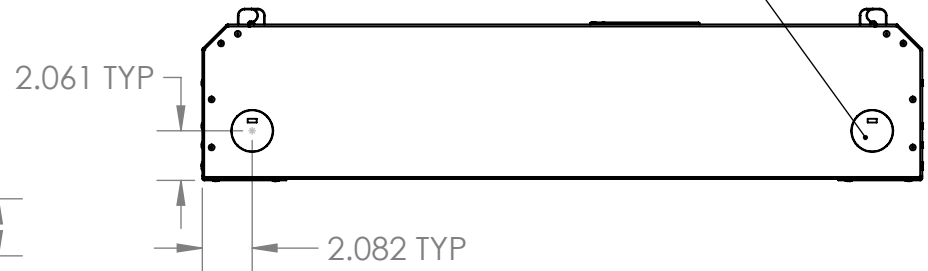
SIZE	DWG. NO.	REV
<b>A</b>	<b>CM-800 WP</b>	<b>-</b>
SCALE: 1:12	WEIGHT: 19.57	SHEET 1 OF 3





TOP VIEW

1.75" CABLE KNOCKOUT  
SIZED FOR 1-5/8 ID GROMMET  
(QTY 4)



BOTTOM VIEW

**PROPRIETARY AND CONFIDENTIAL**  
THE INFORMATION CONTAINED IN THIS DRAWING IS THE SOLE PROPERTY OF KENDALL HOWARD. ANY REPRODUCTION IN PART OR AS A WHOLE WITHOUT THE WRITTEN PERMISSION OF KENDALL HOWARD IS STRICTLY PROHIBITED.

**WEB PRINT**

NEXT ASSY USED ON

CATEGORY:

UNLESS OTHERWISE SPECIFIED:  
DIMENSIONS ARE IN INCHES  
TOLERANCES:  
FRACTIONAL: NA  
ANGULAR: BEND: NA  
TWO PLACE DECIMAL: NA  
THREE PLACE DECIMAL: NA  
HOLES: NA

SURFACE AREA

MATERIAL

FINISH

DO NOT SCALE DRAWING

	NAME	DATE
DRAWN		
CHECKED		
ENG APPR.		
MFG APPR.		
Q.A.		
COMMENTS:		

**KENDALL HOWARD**  INC.

TITLE:  
**WALL MOUNT  
CHARGING STATION**

SIZE	DWG. NO.	REV
<b>A</b>	<b>CM-800 WP</b>	<b>-</b>
SCALE: 1:12	WEIGHT: 19.57	SHEET 3 OF 3