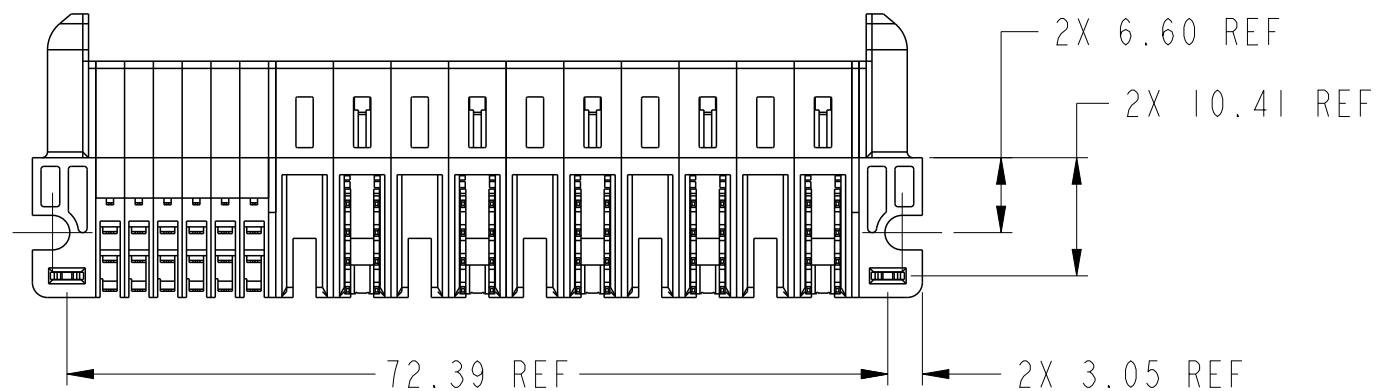
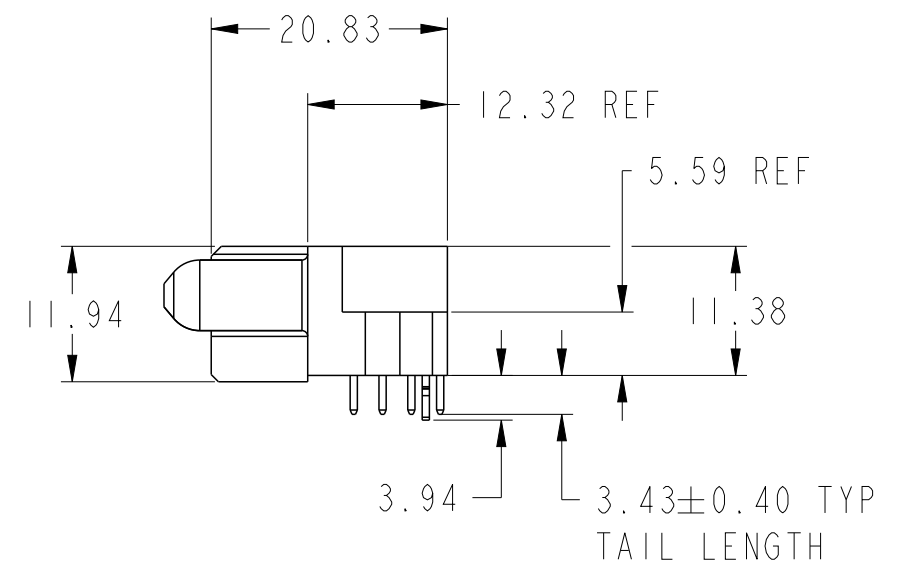
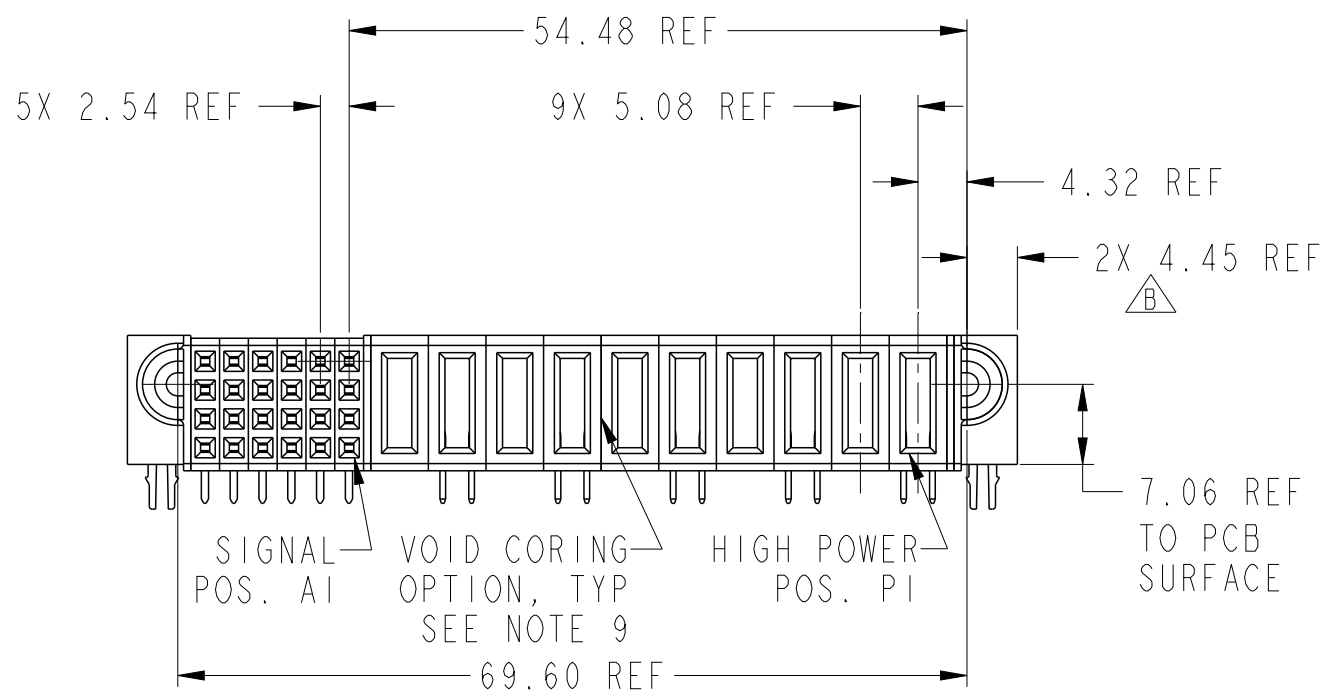
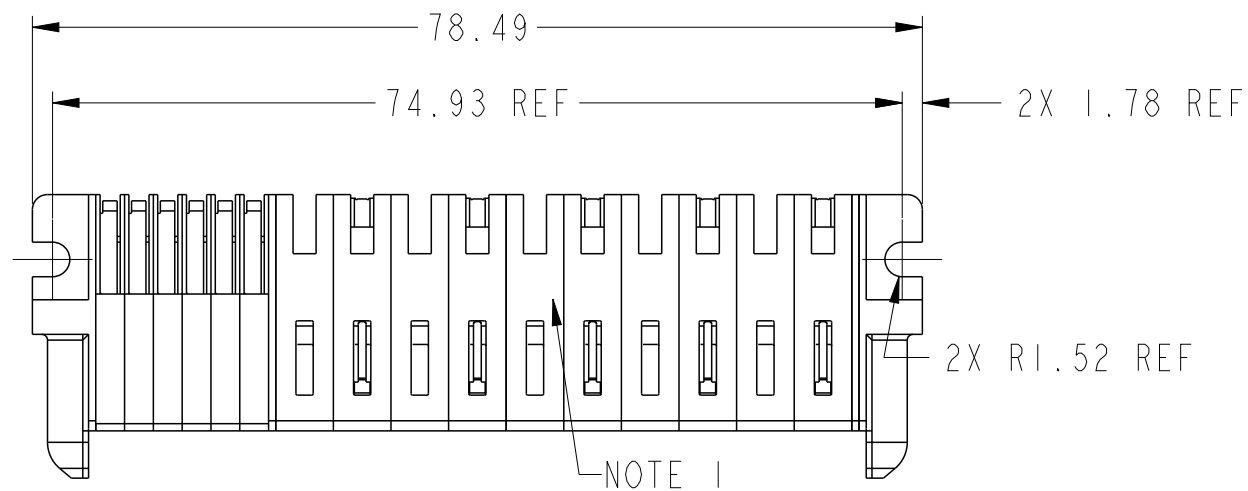


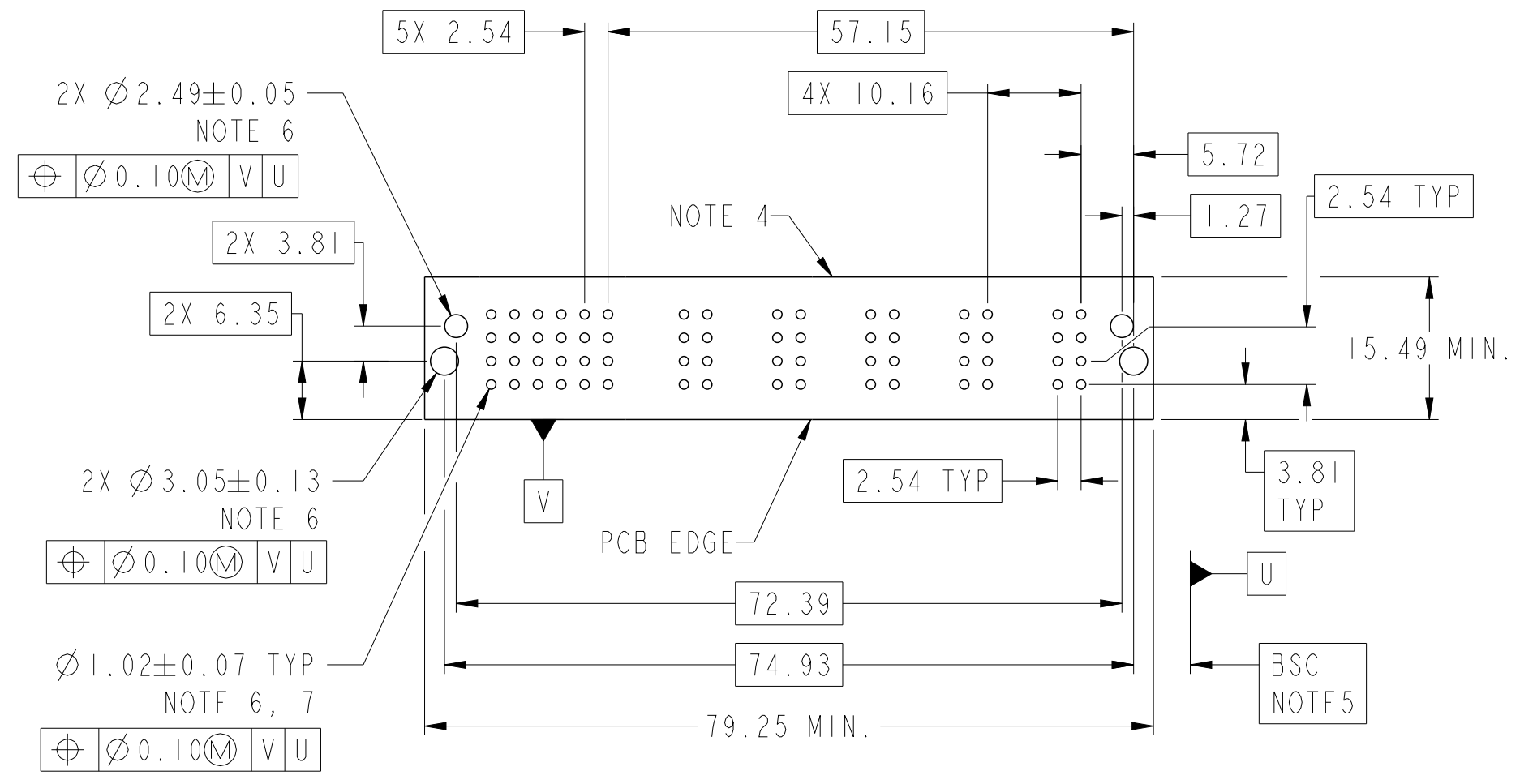
PRODUCT NUMBER SEE SHEET 2



spec ref	-	dr	S Jaganathan	2012/06/14	projection	MM	size	A3	scale	3:2	
tolerance std	ASME Y14.5	eng	Peng-Bing Fu	2012/11/14			ecn no	ELX-DG-013144-1			
TOLERANCES UNLESS OTHERWISE SPECIFIED		chr	Tian-Xu Huang	2012/11/15			product family	PwrBlade+	rel level	Released	
surface	linear	appr	Pei-Ming Zheng	2012/11/15			dwg no	10106134-A006001		rev	B
ASME Y14.5	angular	www.fci.com		cat. no.	10HDP + 24S R/A STB RECEPTACLE		Product - Customer Drw		sheet 1 of 3		
	0.X	±0.5									
	0.XX	±0.25									
	0.XXX	±0.10									
	0°	±2°									

PRODUCT NO.	ROWS	SIGNAL						HIGH POWER										E2	
		E1	6	5	4	3	2	1	P10	P9	P8	P7	P6	P5	P4	P3	P2		P1
10106134-A006001LF	DCBA	H	H	H	H	H	H	X	H3	X	H3	X	H3	X	H3	X	H3	X	H3
		G	G	G	G	G	G												
		F	F	F	F	F	F												
		E	E	E	E	E	E												

CODE	DESCRIPTION
E	STD SIGNAL CONTACT, ROW A
F	STD SIGNAL CONTACT, ROW B
G	STD SIGNAL CONTACT, ROW C
H	STD SIGNAL CONTACT, ROW D
H3	STD HIGH POWER CONTACT(3.43)
HA	METAL HOLD DOWN
X	OMITTED



Copyright FCI.

dr	S Jaganathan	2012/06/14	projection	MM	size	A3	scale	3:2
eng	Peng-Bing Fu	2012/11/14			ecn no			
chr	Tian-Xu Huang	2012/11/15			ELX-DG-013144-1			
appr	Pei-Ming Zheng	2012/11/15	product family	PwrBlade+	rel level		Released	
		title 10HDP + 24S R/A STB RECEPTACLE			dwg no 10106134-A006001		rev B	
www.fci.com		cat. no.		Product - Customer Drw			sheet 2 of 3	

NOTES:

- 1) "FCI", PART NUMBER AND DATE CODE TO BE MARKED ON THIS SURFACE.
THE MARK CAN BE OMITTED IF THERE IS NOT ENOUGH SPACE ON THIS SURFACE.
- 2) MATERIALS:
-HOUSING - GLASS FILLED WITH HIGH TEMP THERMOPLASTIC, UL94V-0.
-SIGNAL CONTACT - COPPER ALLOY.
-POWER CONTACT - HIGH CONDUCTIVITY COPPER ALLOY.
- 3) PLATING SPECIFICATION REFER TO FCI 10116351
- 4) DENOTES CONNECTOR KEEP OUT ZONE.
- 5) DATUM AND BASIC DIMENSIONS WERE ESTABLISHED BY CUSTOMER.
- 6) ALL HOLE DIAMETERS ARE FINISHED HOLE SIZES.
- 7) 1.15 ± 0.025 MM DRILLED HOLE PLATED WITH 0.00762MM MIN Sn
OVER 0.0254-0.0762MM Cu PLATING TO ACHIEVE A 1.02 ± 0.07 MM HOLE.
- 8) PRODUCT SPECIFICATION REFER TO FCI GS-12-658.
APPLICATION SPECIFICATION REFER TO FCI GS-20-141.
PRODUCT PACKAGED IN TRAYS, REFER TO FCI GS-14-1502.
- 9) THE VOID CORING IN BETWEEN POWER MODULES, SIGNAL
MODULES AND END MODULES ARE OPTIONAL AND THE SHAPE
MAY BE DIFFERENT FOR OPTIMIZE THE MOLDING PROCESS. THE
VOID CORING WILL NOT EFFECT TO PRODUCT FUNCTION.
- 10) A \triangle SYMBOL WILL BE NEXT TO ANY DIMENSION, VIEW, OR NOTE WHICH
HAS BEEN MODIFIED WITH THE CURRENT DRAWING REVISION.



Copyright FCI.

dr	S Jaganathan	2012/06/14	projection 	MM 	size	A3	scale	3:2
eng	Peng-Bing Fu	2012/11/14			ecn no	ELX-DG-013144-1		
chr	Tian-Xu Huang	2012/11/15			rel level	Released		
appr	Pei-Ming Zheng	2012/11/15	product family	PwrBlade+				
		title 10HDP + 24S R/A STB RECEPTACLE		dwg no 10106134-A006001	rev B			
www.fci.com		cat. no.	Product - Customer Drw		sheet 3 of 3			