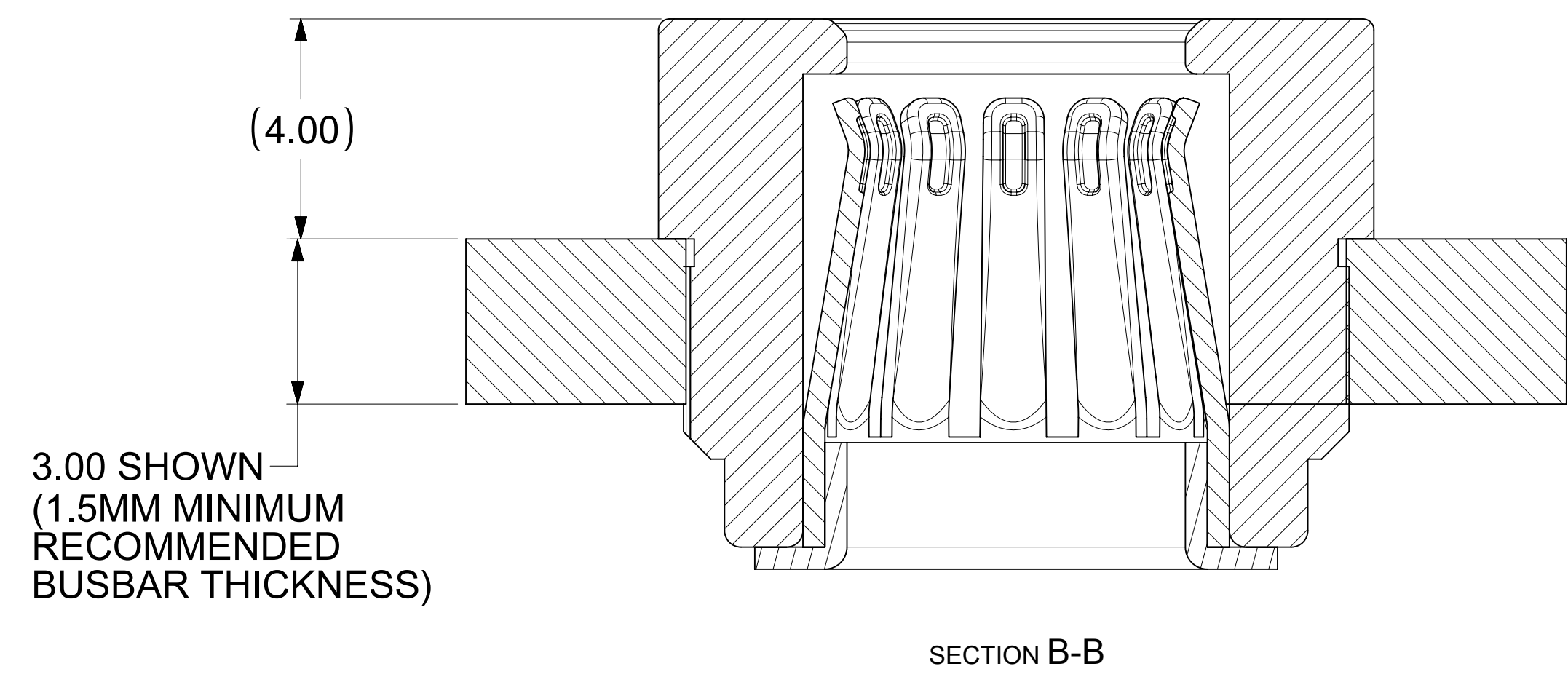
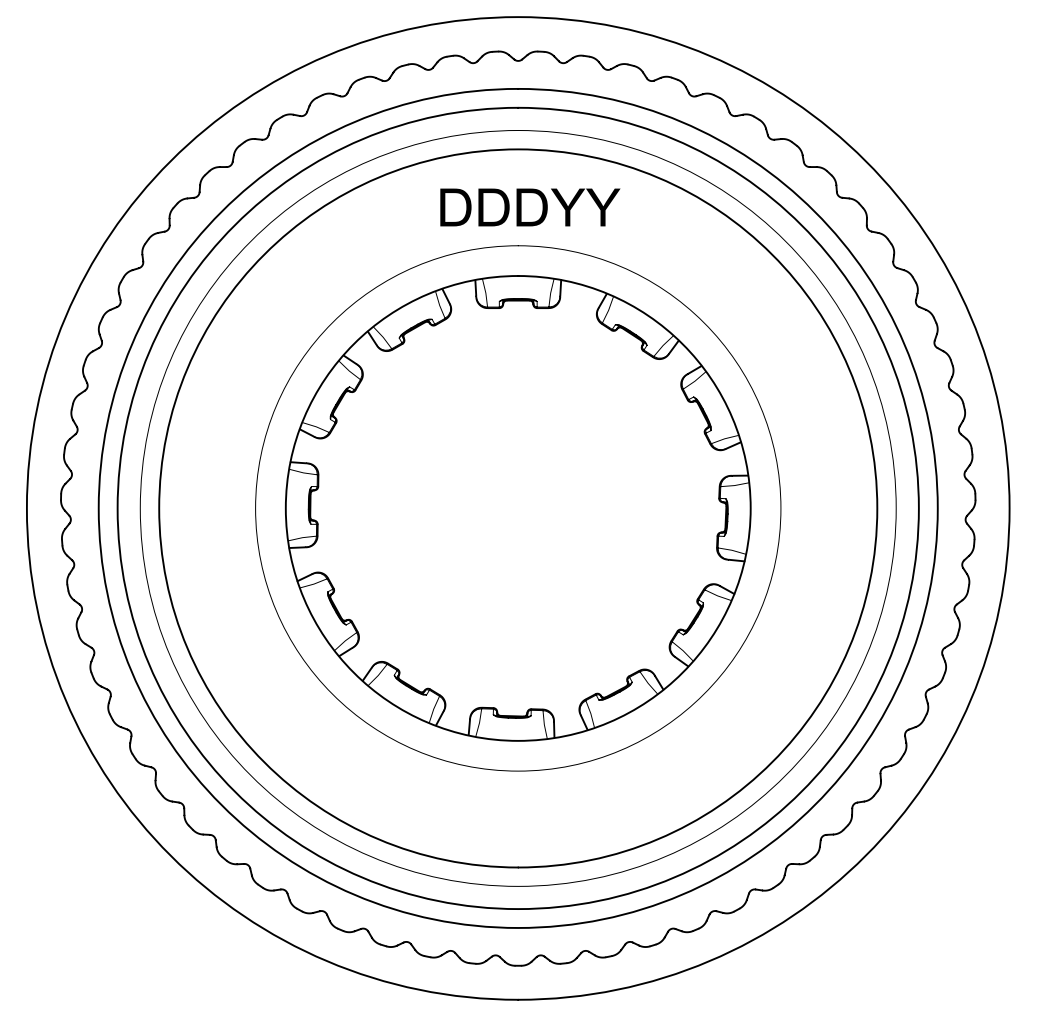


MATING PROFILE



- NOTES:**
- MATERIALS:**
RETENTION CAP: STAINLESS STEEL
PICK AND PLACE CAP: LCP UL94, V-0 COLOR BLACK
BASE METAL: HIGH CONDUCTIVE COPPER ALLOY
PLATING ON CONTACTS: 0.75 MICRON MIN GOLD OVER 1.27 MICRON MIN NICKEL
PLATING ON BODY: 3.18 MICRON MIN SILVER OVER 1.27 MICRON MIN NICKEL
 - MATES WITH THE STANDARD PIN DRAWINGS:**
 - 6.0MM SMT DRAWING 2032630136-SD, MIN. MATING DISTANCE 6.75MM
 - 6.0MM PRESS FIT DRAWING 2032630006-SD, MIN MATING DISTANCE 6.5MM
 - 6.0MM SCREW MOUNT DRAWING 2032636185-SD, MIN MATING DISTANCE 9.5MM
 - PRODUCT SPECIFICATION:** 2043130006-PS
 - APPLICATION SPECIFICATION:** 2043130006-AS
 - PACKAGING SPECIFICATION:** 2043180006-PK.
 - SILVER COMPONENTS WILL BE SUPPLIED TARNISH FREE BUT MAY TARNISH OVER TIME.**
 - DATE CODE TO BE LASER MARKED APPROXIMATELY WHERE SHOWN USING DDDYY FORMAT**

THIS DRAWING CONTAINS INFORMATION THAT IS PROPRIETARY TO MOLEX ELECTRONIC TECHNOLOGIES, LLC AND SHOULD NOT BE USED WITHOUT WRITTEN PERMISSION											
DIMENSION UNITS		SCALE		CURRENT REV DESC: UPDATED THE TITLE BLOCK							
mm		5:1									
GENERAL TOLERANCES (UNLESS SPECIFIED)											
ANGULAR TOL ± 0.5°											
4 PLACES ±		EC NO: 747243								molex	
3 PLACES ±		DRWN: SOURAJ 2023/02/26									
2 PLACES ± 0.25		CHK'D: SCS02 2023/04/25								6.0MM CENTRALITY TOP ENTRY PRESS-FIT STANDARD SOCKET IN TRAY	
1 PLACE ± 0.3		APPR: HTHYAGARAJ 2023/04/26								PRODUCT CUSTOMER DRAWING	
0 PLACES ±		INITIAL REVISION:		DOCUMENT NUMBER		DOC TYPE		DOC PART		REVISION	
		DRWN: RLOW 2019/02/19		2043160006-SD		PSD		000		B2	
		APPR: BPISZCZOR 2019/05/30		MATERIAL NUMBER		CUSTOMER				SHEET NUMBER	
DRAFT WHERE APPLICABLE MUST REMAIN WITHIN DIMENSIONS		THIRD ANGLE PROJECTION		DRAWING		SERIES		2043160006		GENERAL MARKET	
		D-SIZE		204316						1 OF 1	