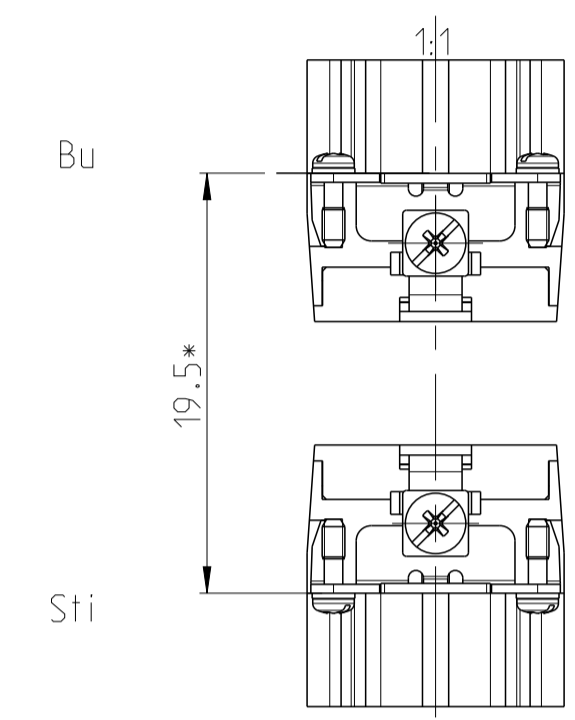
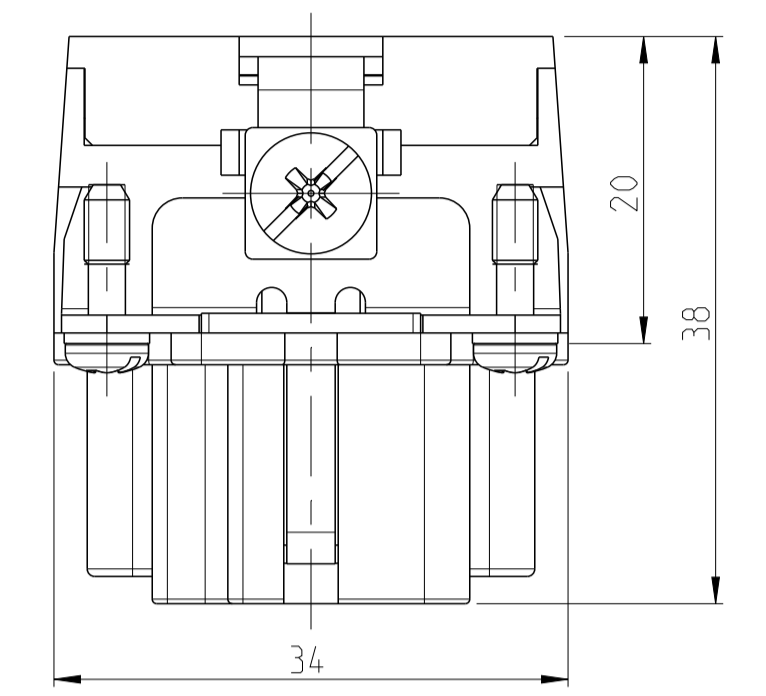
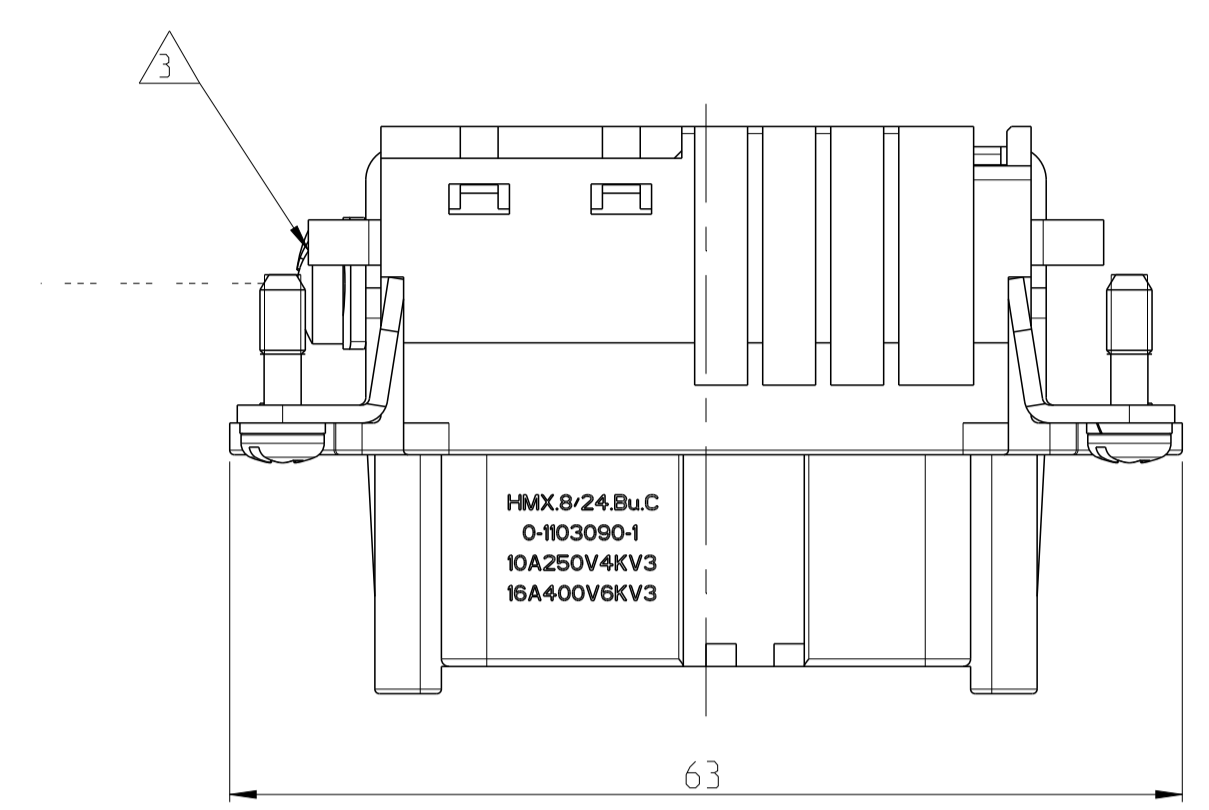


LOC		DIST		REVISIONS			
AI	-	P	LTN	DESCRIPTION	DATE	DMN	APVD
C1	ECR-09-026756				05FEB2010	SR	ME
C2	ECR-17-014051				04APR2018	SG	MKO

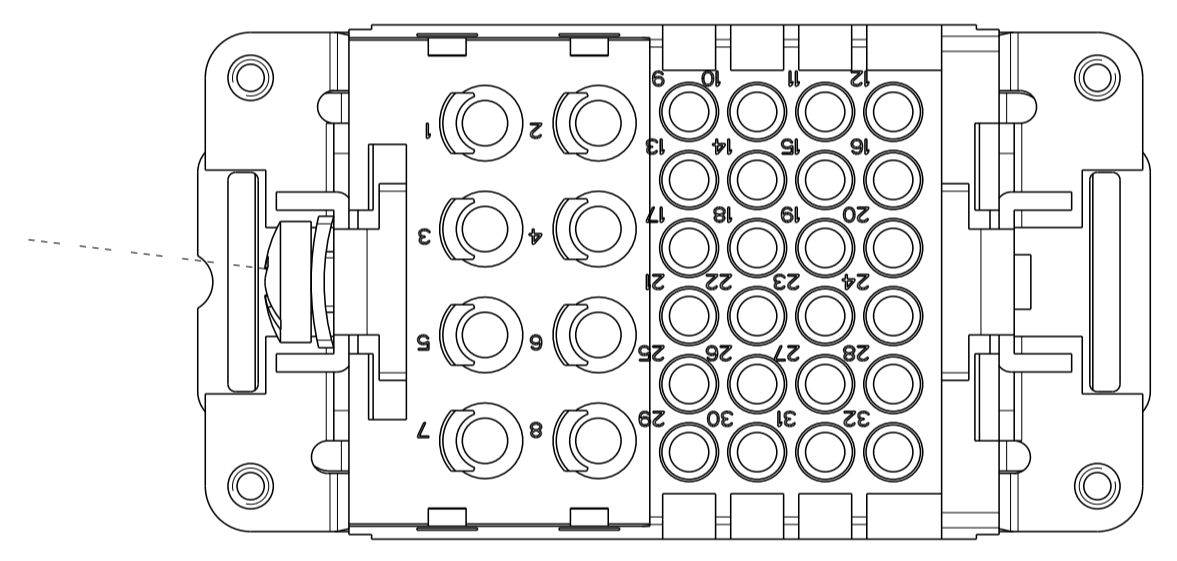
NOTES

- COVER CONTACT : 1 TO 12
 OUTER DIMENSIONS OF INSULATION: MAX. \varnothing 6.5MM
 SIGNAL CONTACT: A AND B
 OUTER DIMENSIONS OF INSULATION: MAX. \varnothing 3.2MM
- SUITABLE HOOD SIZE 6
 SERIES HB, HD, EMV, AND HIP
- \triangle GROUNDING CONTACT
- STANDARDS:
 DIN EN 61984; DIN EN 60664-1
- PACKAGING:
 10 PIECES IN A CARTON BOX

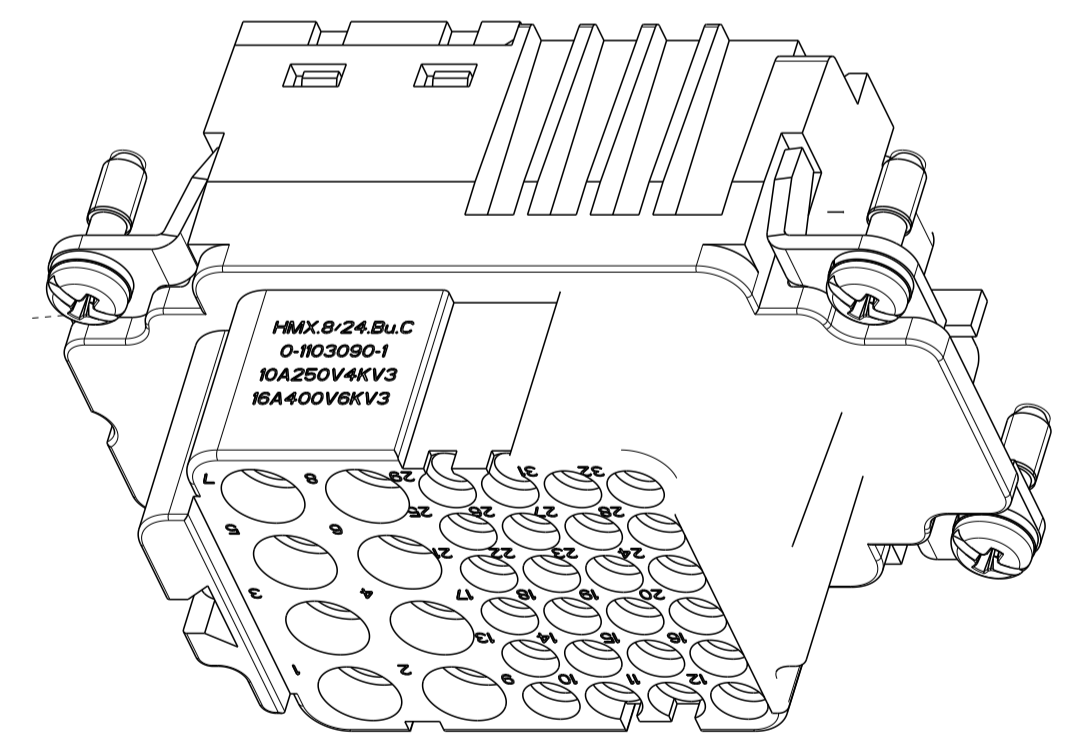
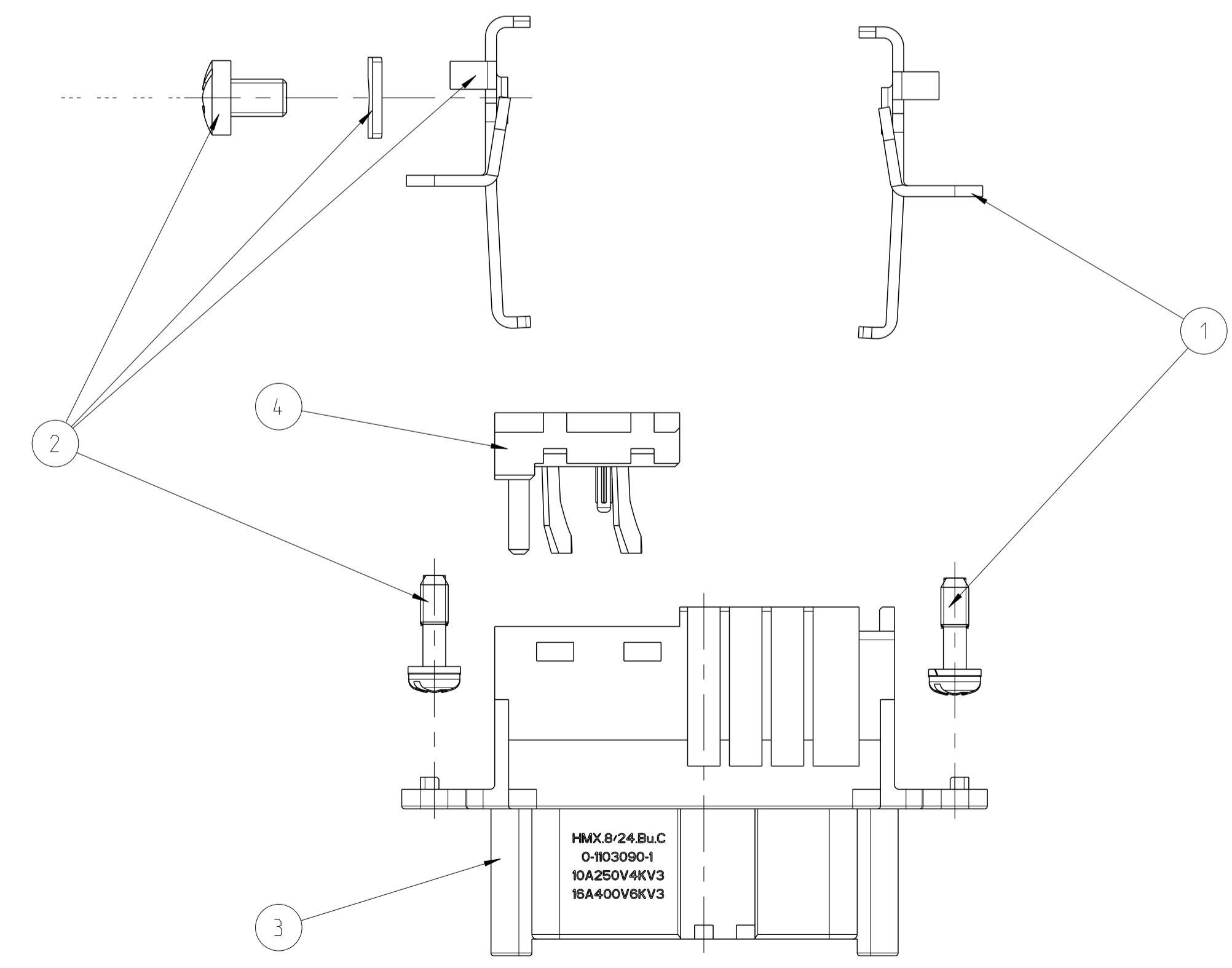
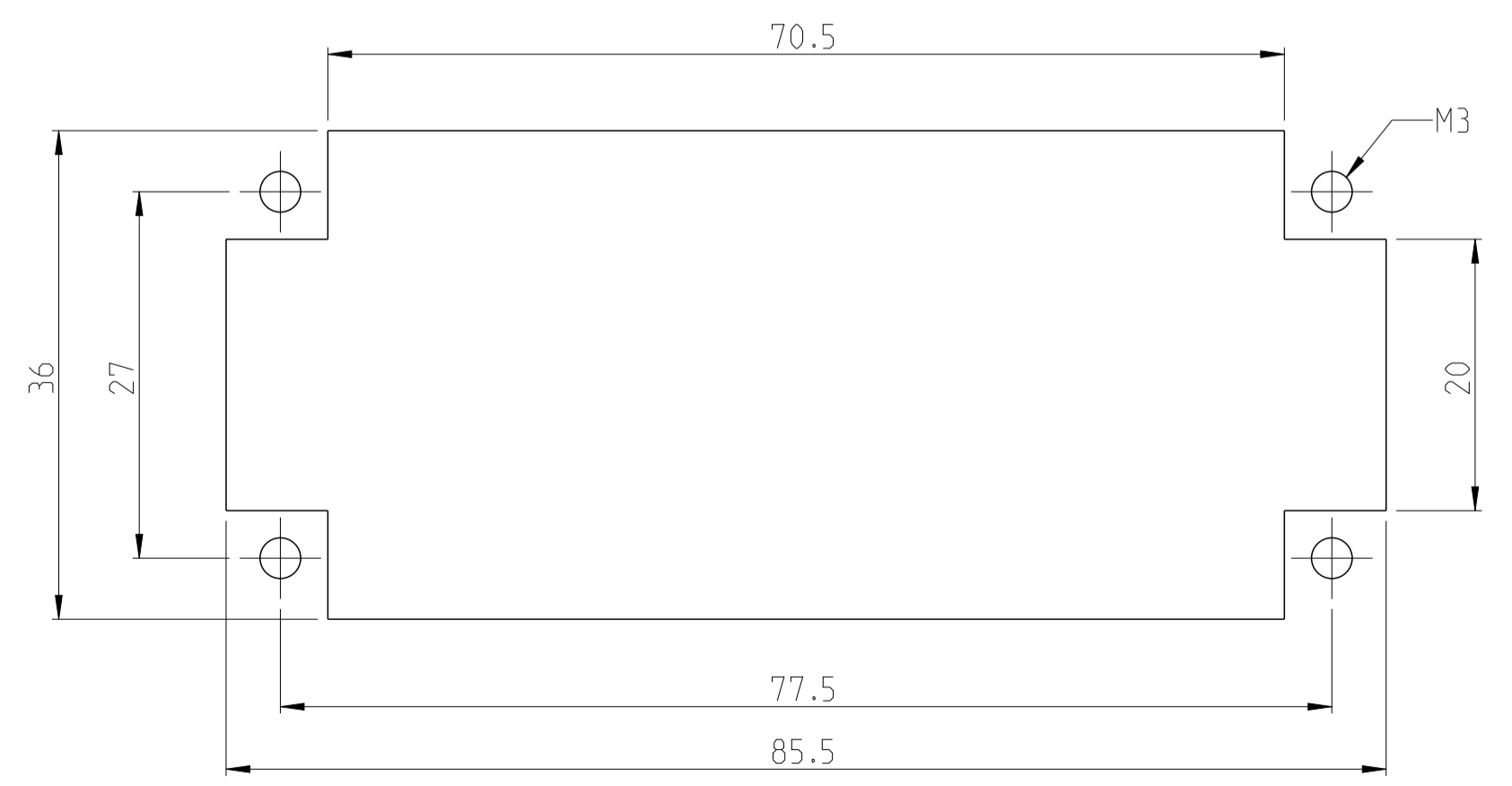


* DISTANCE FOR QUARANTEED CONTACT 21MM MAX.

CONTACT ARRANGEMENT VIEW FROM TERMINATION SIDE



PANEL CUT-OUT FOR CONTACT INSERT WHEN USED WITHOUT HOUSING



SUPERSEDED BY T2100322201-000

1	COVER	PBT-GF15		4
1	FEMALE INSERT	PBT-GF30		3
1	PROTECTION ANGLE CONTACT SOCKET WITH MOUNTING		ZINK PLATED	2
1	PROTECTION ANGLE CONTACT SOCKET		ZINK PLATED	1
QTY	DESCRIPTION	MATERIAL	SURFACE	ITEM
0-1	ORDERING TEXT: HMX.12/2.Bu.C			
THIS DRAWING IS A CONTROLLED DOCUMENT.		DMN R.SCHNEIDER	05FEB2010	
DIMENSIONS:		CHK T.SCHNURPFEL	05FEB2010	
mm	TOLERANCES UNLESS OTHERWISE SPECIFIED:	APVD		
	0 PLC			
	1 PLC			
	2 PLC			
	3 PLC			
	4 PLC			
	ANGLES			
	FINISH			
MATERIAL		WEIGHT		
CUSTOMER DRAWING		SCALE	5:1	SHEET 1 OF 1
		REV	C2	



FEMALE INSERT HMX.8/24.BU.C
 FEMALE INSERT HMX.8/24.BU.C

SIZE: A1
 CAGE CODE: 00779
 DRAWING NO: C=1103090