

### TEST DATA

ITEM	SPEC	SAMPLE									
		1	2	3	4	5	6	7	8	9	10
Primary Exciting Current Input 120 VAC , 60 Hz	45 mA max	22	25	23							
Primary Load Current Input 120 VAC , 60 Hz	65 mA max	53	52	52							
Secondary No Load DC Voltage	15.5V ±5%	15.4	15.38	15.34							
Secondary DC Voltage Load 300 mA	9V ±5%	8.87	8.92	8.84							
Secondary Voltage Load mA	V ± %										
Secondary Voltage Load mA	V ± %										
Secondary Voltage Load mA	V ± %										
Secondary Voltage Load mA	V ± %										
Ripple Voltage Load 300 mA (PK-PK)	2V max	1.2	1.2	1.2							
Hi-Pot Test 3 mA for 3Sec.	Pri. to Sec.	2K VAC	OK	OK	OK						
	Pri. to Core	2K VAC	OK	OK	OK						
	Sec. to Core	1.5K VAC	OK	OK	OK						

Temperature Rise: 70°C MAX measured By Resistance Method (Primary Winding)

Core Film: SPLIT

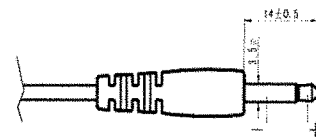
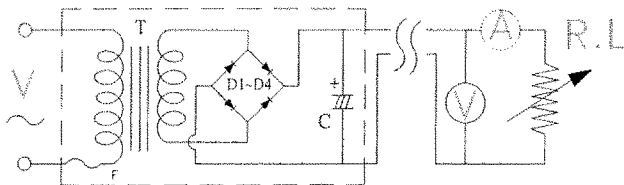
Core : EI-28

Testing Circuit:

1000uF/16V

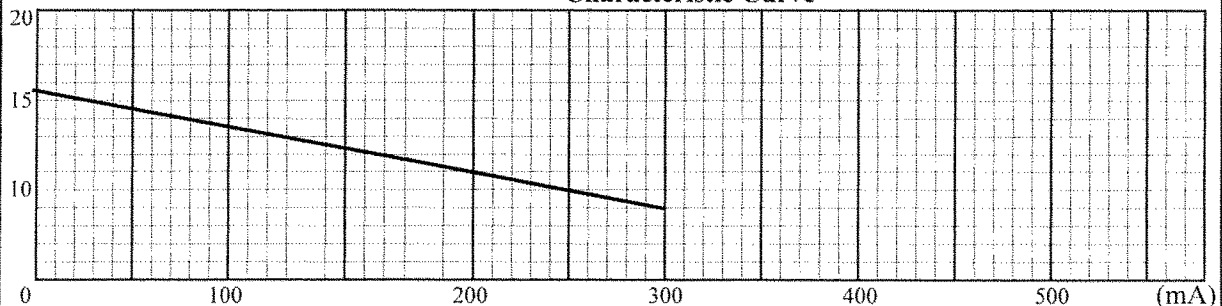
Output Plug Drawing:

PLUG:3.5\*14mm



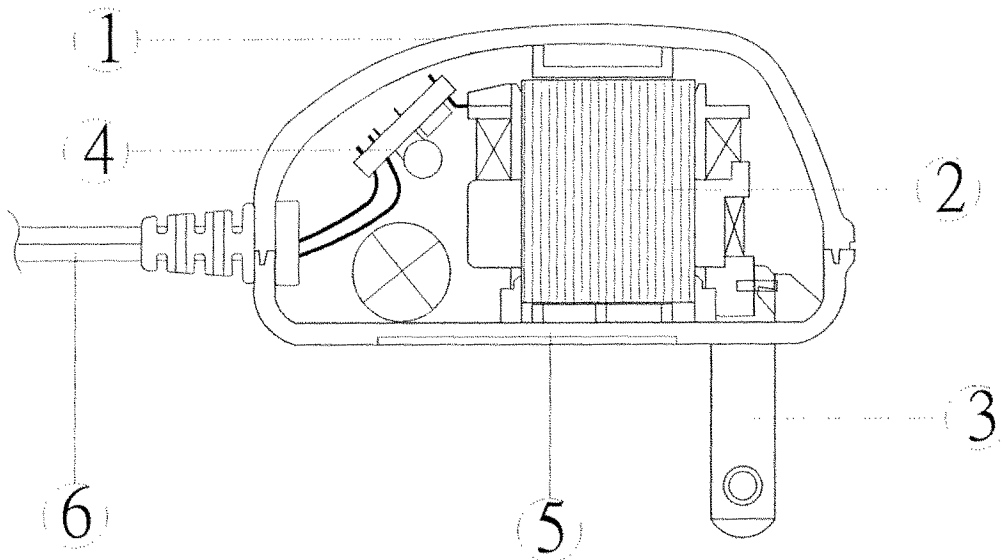
Output conductor length: 6 ft min (AWG#24)

Input conductor length: ft min (AWG# )

 (V) **Characteristic Curve**


## AC Adaptor Specifications

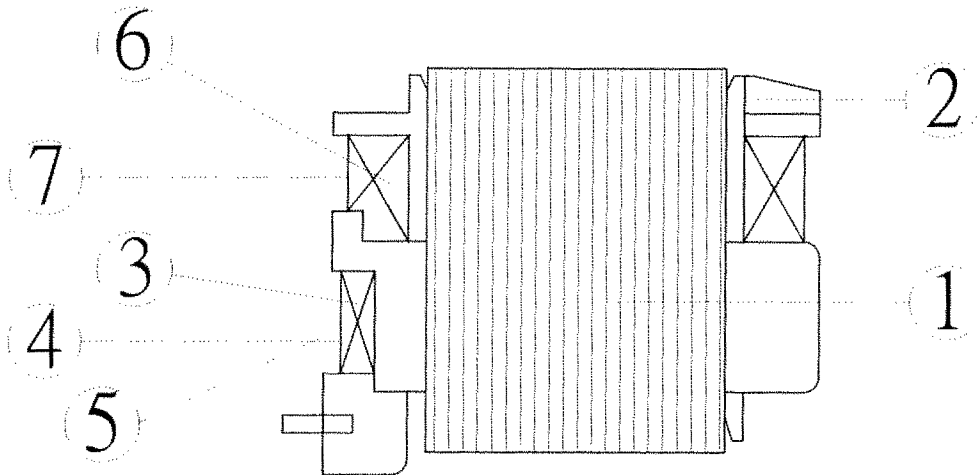
### Internal Construction Drawing and Parts List (Unit: Set or EA)



Part Name	Specification	Q'ty
1. Enclosure	Noryl SE1 94V-0 105°C	
	Noryl SE-100 94V-0 95°C	
	Noryl PX1700 94V-0 95°C	
	940(f1) 94V-0 130°C	
2. Transformer	EI-28	1
3. Blade	Ni plated brass	2
<b>4. Print Wiring Board Assembly</b>		
Print Wiring Board	04V0 94V-0 130°C	1
	11 94V-0 105°C	
	13 94V-0 130°C	
	BF-3 94V-0 130°C	
Diode	1A 400-700V IN4004-IN4007	4
Capacitor	1000uF 16V 85°C	1
5. Name Plate	Polyester Film	1
6. Output Cord	AWG# 24 6FT min	1

## AC Adaptor Specifications

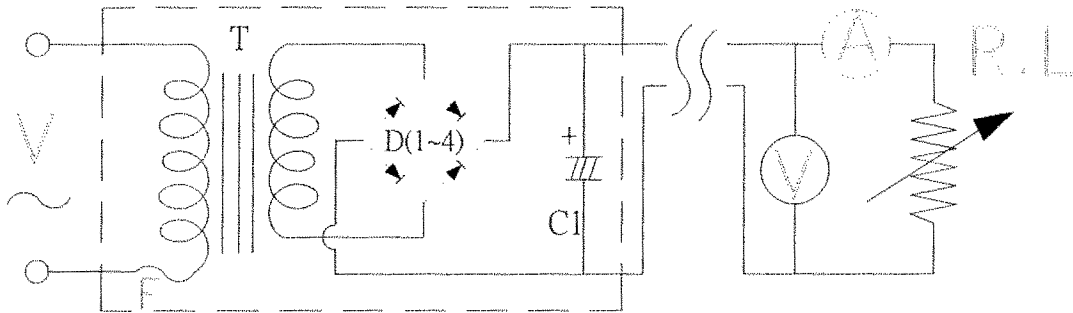
### Construction Drawing and Details of Transformer



Part Name	Material & Type	Spec or Q'ty
1. Core	Silicon Steel	0.5mm
2. Bobbin	Polybutylene Terephthalate 1403G6	0.71mm
	PETP(QMFZ2) FR-530, FR530L	
	Nylon 101L	
3. Primary Winding	Polyurethane Enameled Copper wire	mm turn ohm
4. Primary Outer Winding	Mylar Tape	0.025mmx2T
5. Thermal Fuse	M30 2A 125°C 250V AC	1PC
6. Secondary Winding	Polyurethane Enameled Copper Wire	mm turn ohm
7. Secondary Outer Winding	Mylar Tape	0.025mmx2T

## AC Adaptor Specifications

### Circuit Diagram

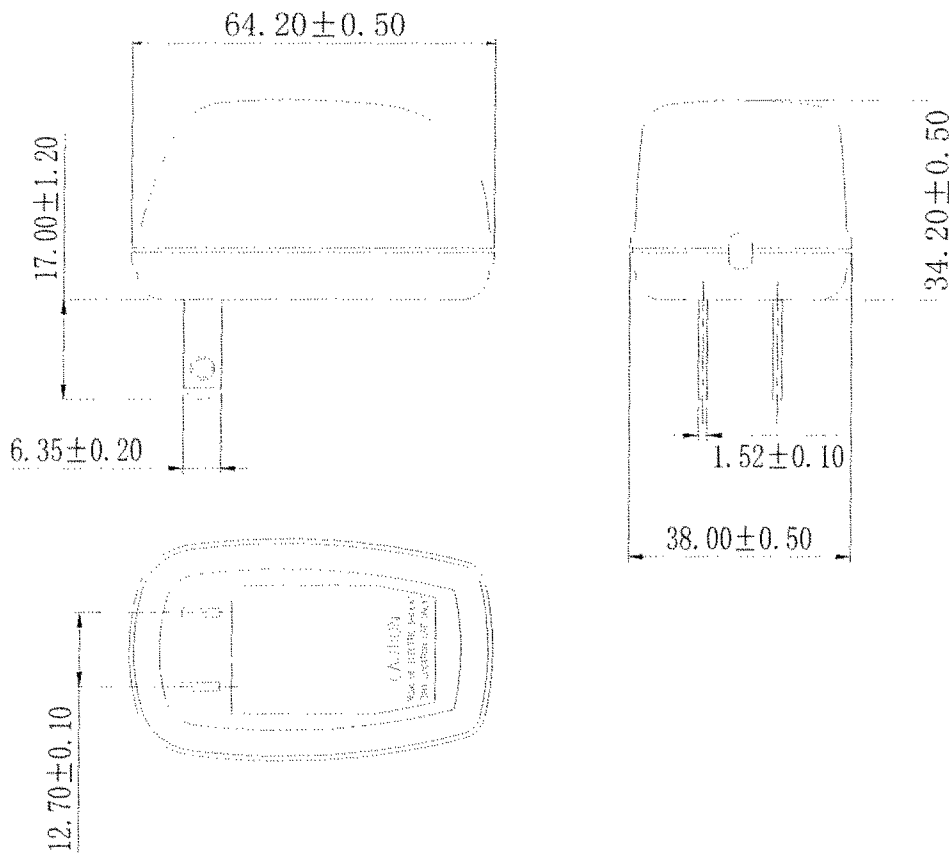


Symbol	Part Name	Note
T	Transformer	EI-28
D(1~4)	Diode	1A 400-700V IN4004-IN4007
C1	Capacitor	1000uF 16V 85°C
F	Thermal	125°C 2A 250V

## DC Adaptor Specifications

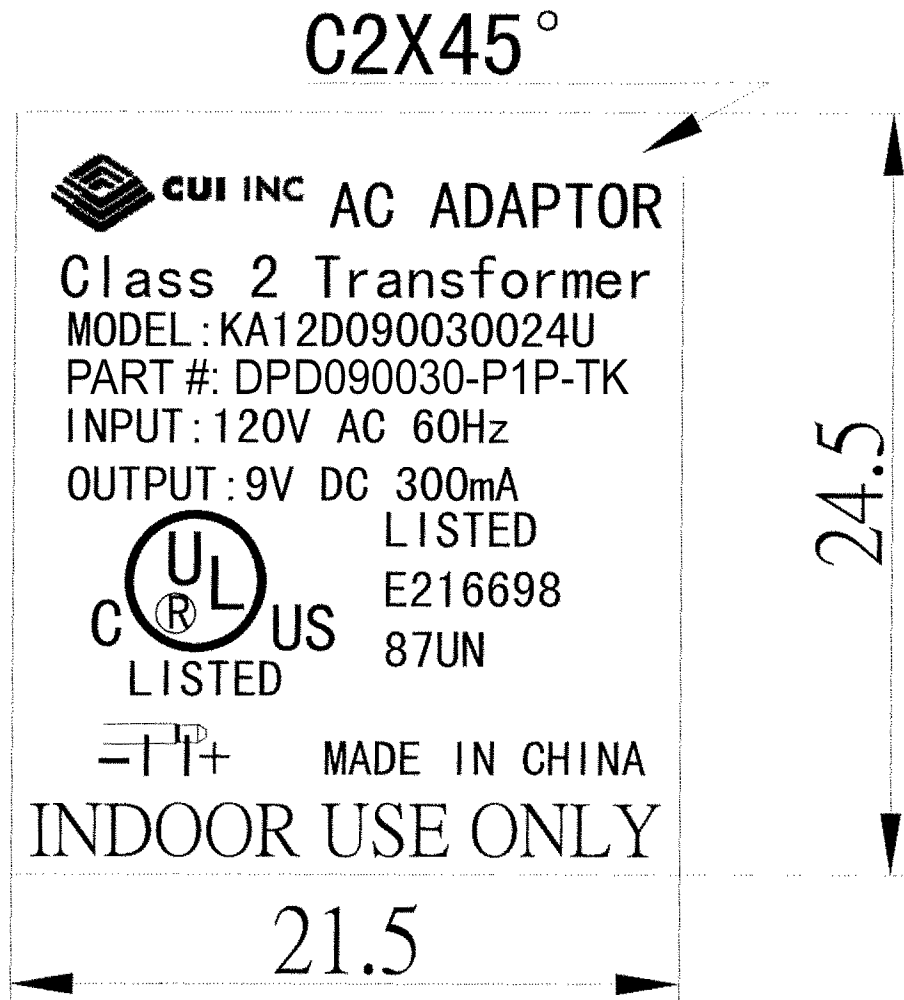
---

### Appearance Drawing (Unit:mm)



## AC Adaptor Specifications

### Dimension of Nameplate (Unit:mm)



Material: Polyester Film

T: 0.25mm