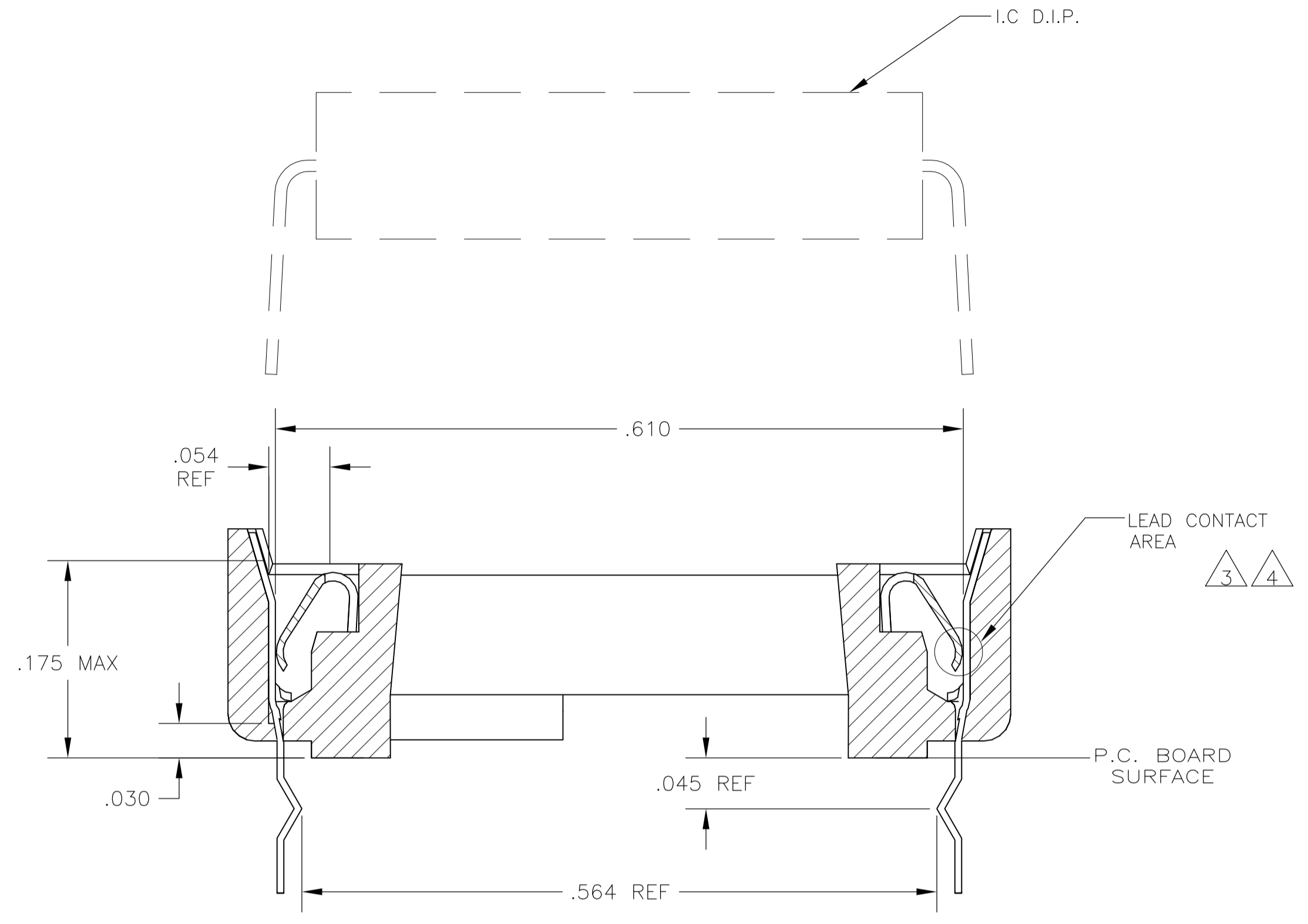
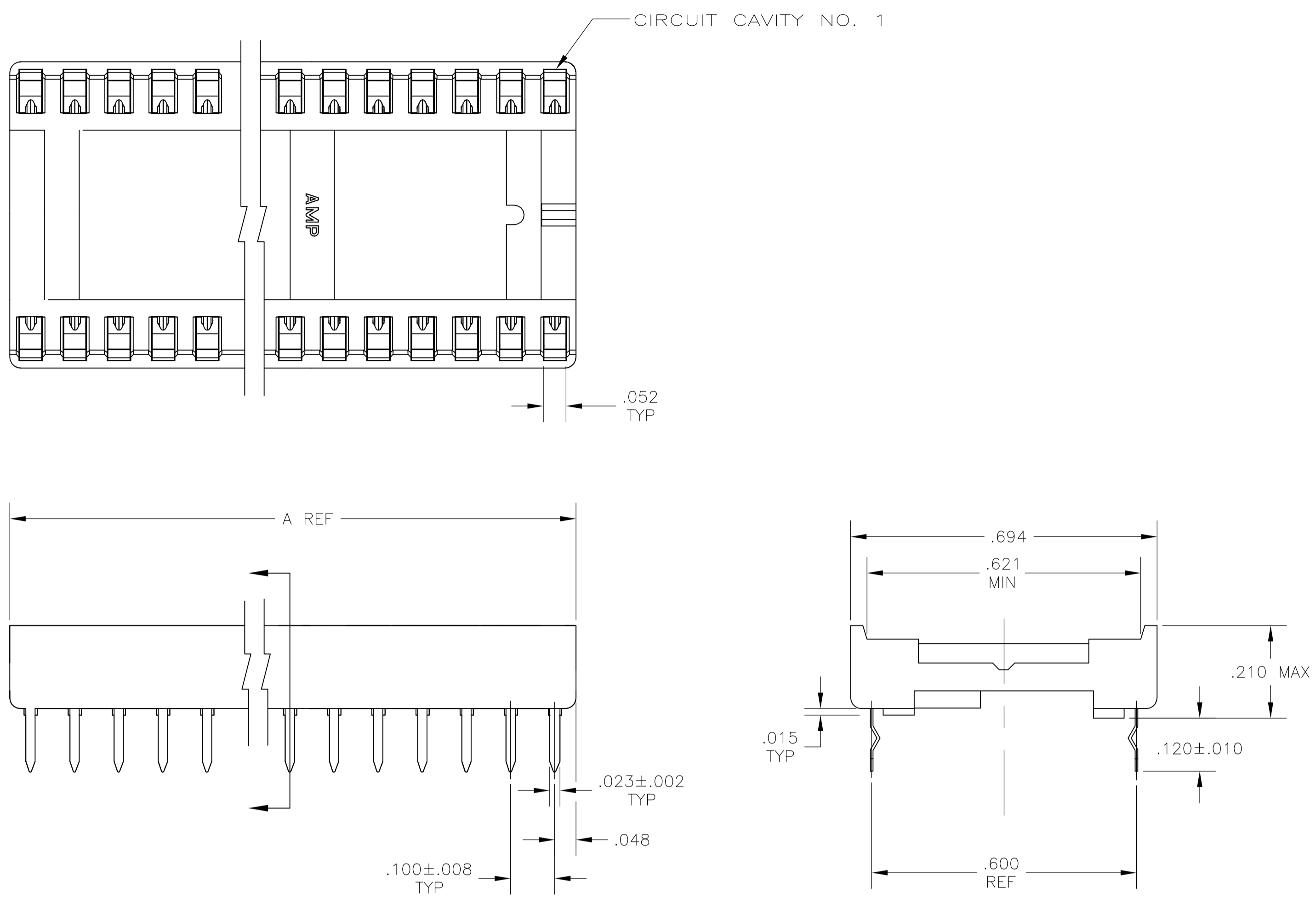
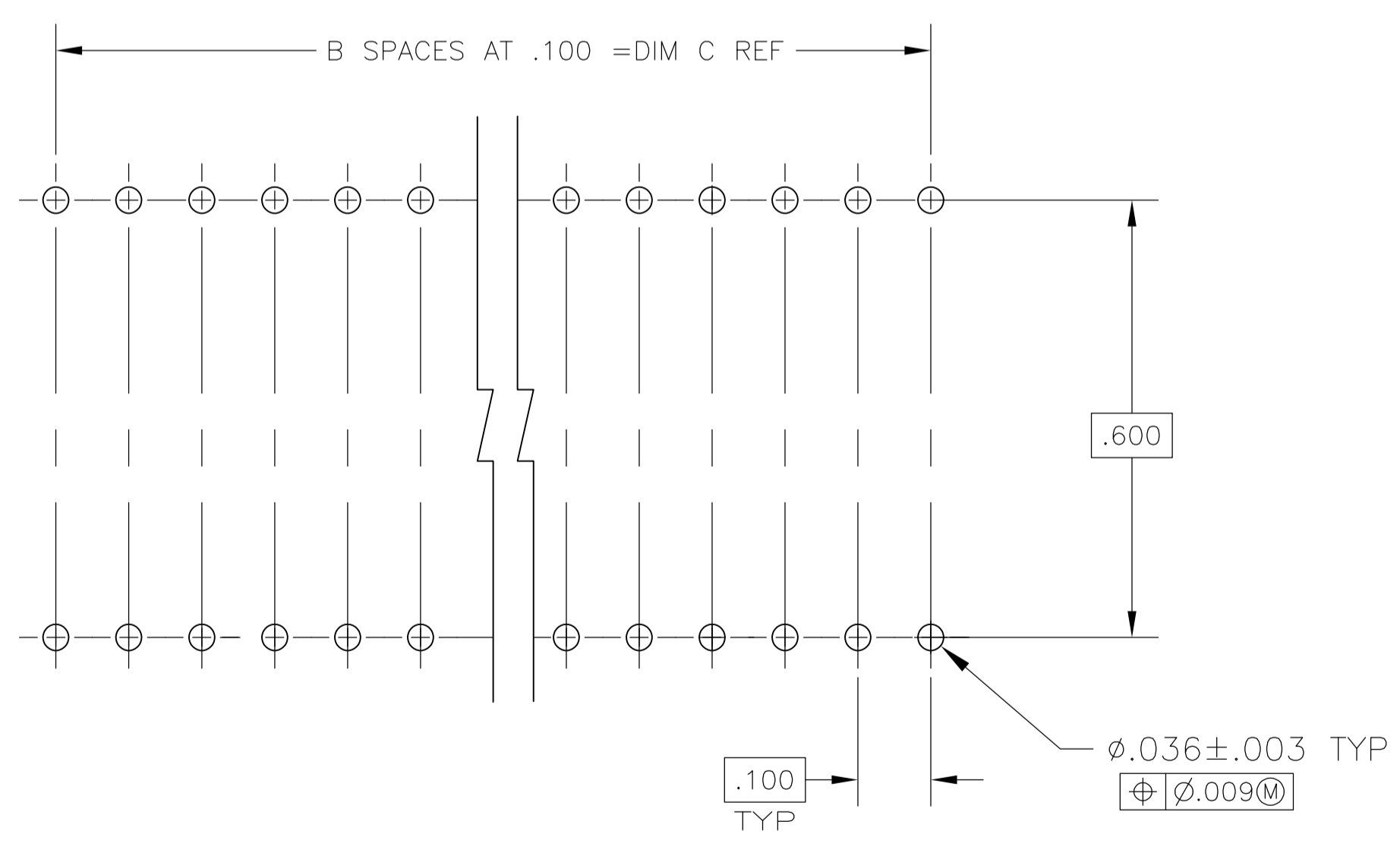


LOC		DIST		REVISIONS			
AD	00	REV	DATE	BY	CHK	APPV	
A	ECO-05-013690	03JAN05	BSV	KD			
A1	REVISED PER ECO-10-000444	19JAN10	KK	HMR			



SECTION A-A  
SCALE 10:1



RECOMMENDED MOUNTING HOLE PATTERN  
SCALE 4:1

- 1 RECEPTACLE ACCEPTS A .008-.014 THICK I.C.LEAD.
- 2 TUBE LOADED FOR AUTOMATIC INSERTION.
- 3 BECU CONTACT -PLATED WITH TWO .000030 MIN THIK. GOLD STRIPES IN CONTACT AREA WITH TIN ON CONTACT LEGS, BALANCE OF CONTACT NICKEL PLATED.
- 4 PHOS. BRZ CONTACT - PLATED WITH TWO .000015 MIN THK. GOLD STRIPES IN CONTACT AREA WITH TIN ON CONTACT LEGS, BALANCE OF CONTACT NICKEL PLATED.
- 5 GLASS FILLED THERMOPLASTIC, 94V-0, BLACK
- 6 OBSOLETE PARTS: OBSOLETE CIS STREAMLINING PER D.RENAUD/D.SINISI

CONTACT & FINISH	DIM C	B SPCS	DIM A	POSITION	PART NO.	
6 OBSOLETE	3	2.300	23	2.395	48	1-1825376-4
	3	1.900	19	1.995	40	1-1825376-3
	3	1.300	13	1.395	28	1-1825376-2
OBSOLETE	3	1.100	11	1.195	24	1-1825376-1
	4	2.300	23	2.395	48	1825376-4
	4	1.900	19	1.995	40	1825376-3
	4	1.300	13	1.395	28	1825376-2
6 OBSOLETE	4	1.100	11	1.195	24	1825376-1

THIS DRAWING IS A CONTROLLED DOCUMENT.

DIN B.S.VISWESWARA 22APR05

CHK K.WRIGHT

APVD

TOLERANCES UNLESS OTHERWISE SPECIFIED:

0. PLC	± .005
1. PLC	± .005
2. PLC	± .005
3. PLC	± .005
4. PLC	± .005
ANGLES	± 0°30'

MATERIAL SEE TABLE

FINISH SEE TABLE

22APR05

NAME

PRODUCT SPEC 108-1066

APPLICATION SPEC 114-1049

WEIGHT

SIZE CAGE CODE DRAWING NO. A1 00779 C=1825376

RESTRICTED TO

CUSTOMER DRAWING

SCALE 5:1 SHEET 1 OF 1 REV A1

Tyco Electronics Corporation  
Harrisburg, Pa 17105-3608

DIP SOCKET ASSY, LADDER, DIPLOMATE, RET. LEAD .600 CL, LEAD FREE