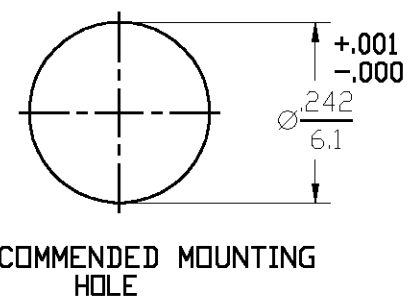


DESIGNED FOR USE WITH	.085 S/R
CABLE ENTRY DIAMETER MINIMUM	
HOUSING	.088
CONTACT	.021

REVISIONS			
REV	DESCRIPTION	DATE	APPROVED
03 ₁	REVISED	K.L. 7-24-96	<i>[Signature]</i> 8/7/96
B	REVISED PER 0U20-0262-01	G.V. 12/10/02	JGH

	DIM 'A'
BEFORE CRIMP	.782 REF. 19.9
AFTER CRIMP	.667 ±.010 16.9



ELECTRICAL	MECHANICAL	ENVIRONMENTAL
Nominal Impedance (Ohms) 50	Interface Dimensions MIL-STD-348, Fig 321-1	TEMPERATURE RATING -65° TO +125°C
Frequency Range (GHz) DC to 22	Mating Characteristics:	Vibration MIL-STD-202, Method 204, Condition D
Volt Rating (VRMS MAX) @ Sea Level 335	Insertion (MAX Lbs) 3	Shock MIL-STD-202, Method 213, Condition I
VSWR 1.05+.005F(GHz) DC to 18 GHz	Withdrawal (MIN Oz) 1	Thermal Shock MIL-STD-202, Method 107, Condition B
1.05+.009F(GHz) DC to 22 GHz	Force to Engage (In-Lbs MAX) 3 & Disengage (In-Lbs MAX) 1.5	Moisture Resistance MIL-STD-202, Method 106
Insertion Loss (dB MAX) .03x√F(GHz)	Center Contact Captivation Axial (Lbs) 6	Corrosion - MIL-STD-202, Method 101, Condition B
RF Leakage (dB MIN) (Interface Only, Fully Mated) -(90-F(GHz))	Cable Retention Axial Force (Lbs MIN) 30 Torque (In-Oz MIN) 16	
Corona, 70,000 Ft (VRMS MIN) 250	Weight (Grams)	
Dielectric Withstanding Voltage (VRMS MIN) @ Sea Level 1000		
Contact Resistance (Milliohms MAX) Center Contact 2.0 Outer Contact 2.0 Cable to Housing 0.5		
RF High Potential @ Sea Level (VRMS MIN @ 5 MHz) 670		
I.R.(Megohms MIN) 5000		

COMPONENT	MATERIAL	FINISH
HOUSING BUSHING MOUNTING NUT LOCKWASHER	STAINLESS STEEL PER ASTM-A484 AND ASTM-A582, TYPE 303	PASSIVATE PER QQ-P-35
DIELECTRIC	TFE FLUOROCARBON PER ASTM-D-1457	N/A
CENTER CONTACT	BERYLLIUM COPPER PER ASTM-B-196 OR ASTM-B-197, ALLOY C17300, CONDITION H	GOLD PLATE PER MIL-G-45204
O-RING	FLOUROSILOXONE PER MIL-R-25988, CLASS I, TYPE I.	N/A

UNLESS OTHERWISE SPECIFIED DIMENSIONS ARE IN INCHES FRAC. ± 1/64 DEC. ± .005 ANGLES ± 1°	DRAWN BY D. CAN	DATE 12-10-83		AMP Incorporated 140 Fourth Avenue Waltham, MA 02451-7599
	CHECKED BY L.B.	DATE 12-18-83		
	APP'D BY RR	DATE 12-19-83		
These drawings and specifications are the property of M/A COM Interconnect Div. and shall not be reproduced or copied or used in whole or in part as the basis for the manufacture or sale of a item(s) without written permission.	USE ASS'Y PROCEDURE		TITLE DSP BULKHEAD FEEDTHRU CABLE PLUG REAR MOUNT-COMPRESSION CRIMP ATTACHMENT	
	NEL AP. 45-028	408-04763	SIZE B	CODE IDENT. NO. 26805
			SCALE 5:1	4503-7685-02
			REV 03 ₁	SHEET 1 OF 1