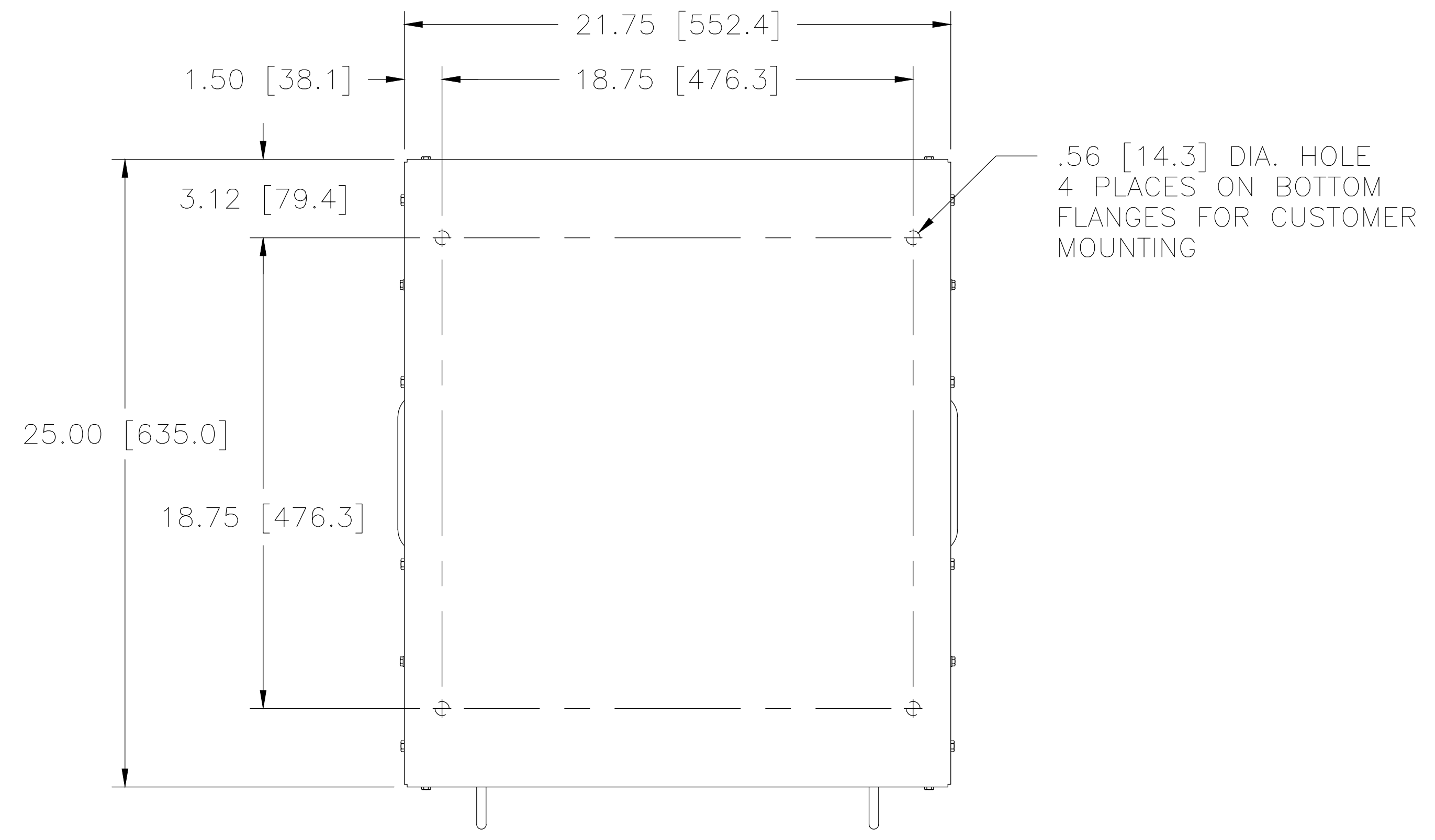


DWG. NO.	032-8292		
REVISIONS			
SYM.	E.C.O.	DATE	APVD.
A	24158	1/19/00	DELETED EYENUTS
B	28126.30	8/18/16	UPDATED MPII & CONTROL NOTES
C	28792.9	12/11/17	UPDATED & REVISED



CONTROLS:
KEYPAD & LCD DISPLAY: THE KEYPAD & LCD DISPLAY ARE PROVIDED FOR LOCAL CONTROL OF THE UNIT WITH AN LCD DISPLAY FOR OUTPUT VOLTAGE READINGS. SEE THE MPII USER'S HANDBOOK (FORM #003-2530) FOR DETAILED INFORMATION.
CONTROLLER ON/OFF SWITCH: THIS SWITCH TURNS OFF POWER TO THE MICROPROCESSOR CONTROLLER ONLY.
MOTOR ON/OFF SWITCH: THIS SWITCH TURNS OFF POWER FROM THE MICROPROCESSOR TO THE AUTOTRANSFORMER MOTOR.
RAISE/LOWER SWITCH: THIS SWITCH IS LOCATED INTERNALLY AND IS ACCESSIBLE FROM THE FRONT VIA THE REMOVABLE ACCESS PANEL. THE SWITCH ALLOWS FOR THE VARIABLE TRANSFORMER TO BE MANUALLY CONTROLLED.

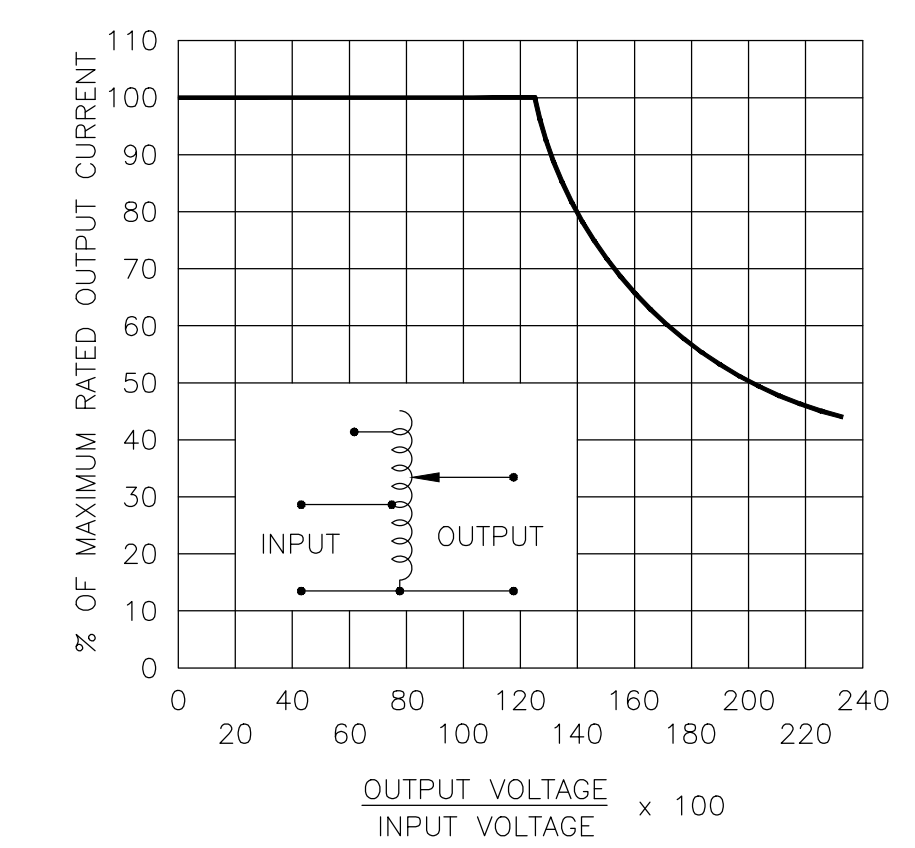
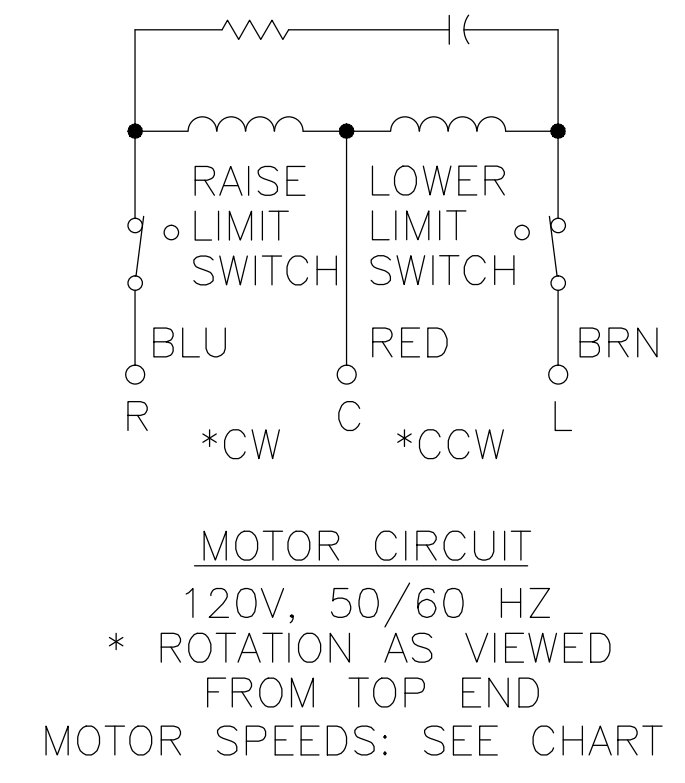
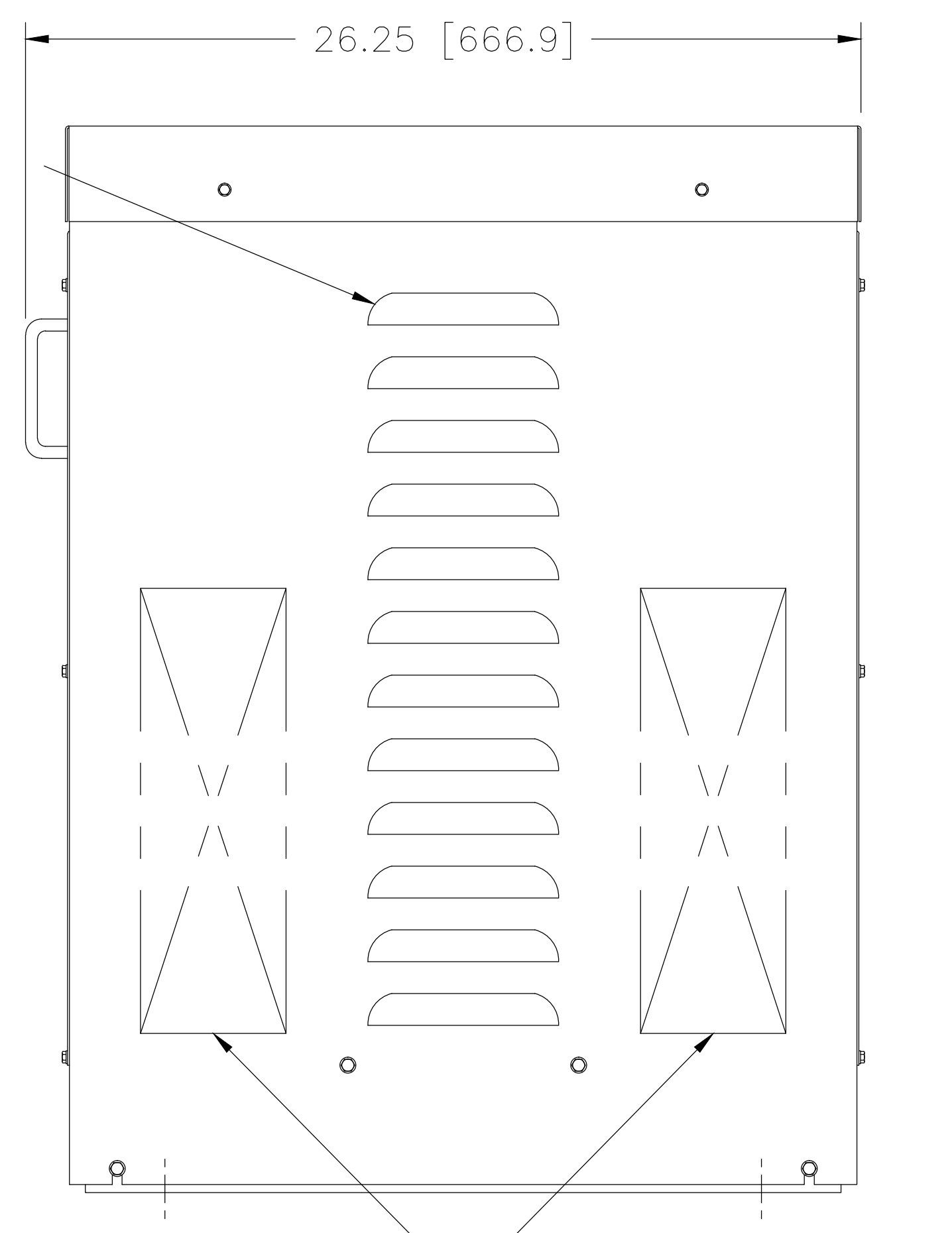
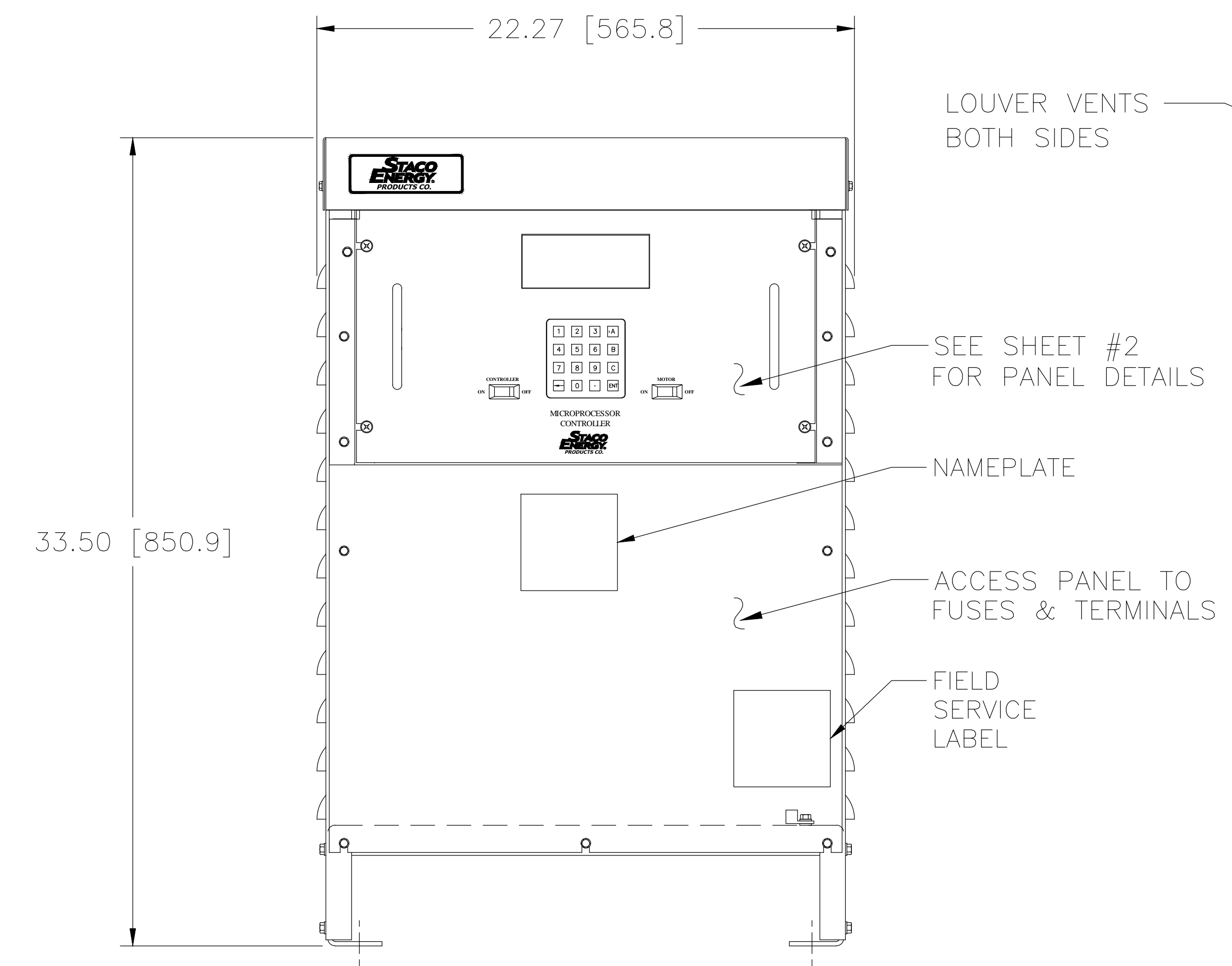


FIGURE A
 MAXIMUM OUTPUT CURRENT OF ANY DUAL INPUT VOLTAGE OR VOLTAGE DOUBLER UNIT OPERATED AT LOWER INPUT VOLTAGE.

MAXIMUM OUTPUT CURRENT IN OUTPUT VOLTAGE RANGE FROM 0 TO 25% ABOVE LINE VOLTAGE. AT HIGHER OUTPUT VOLTAGES, OUTPUT CURRENT MUST BE REDUCED ACCORDING TO RATING CURVE, FIGURE A.
 ++ MAXIMUM KVA AT MAXIMUM OUTPUT AND CORRESPONDING DE-RATED CURRENT. MAXIMUM KVA AT LOWER OUTPUT VOLTAGES MAY BE CALCULATED FROM RATING CURVE, FIGURE A.
 V.D. = VOLTAGE DOUBLER.

SPEED (SECONDS)	MODEL NUMBER
5	MV5M6020E-3Y
15	MV15M6020E-3Y
30	MV30M6020E-3Y
60	MV60M6020E-3Y



SPECIFICATIONS								
WIRING	INPUT		OUTPUT			SHAFT ROTATION FOR VOLTAGE INCREASE	TERMINAL CONNECTIONS FOR INCREASING VOLTAGE AS VIEWED FROM TOP	
	VOLTS	HERTZ	VOLTS	CONSTANT CURRENT LOAD			INPUT	OUTPUT
THREE PHASE WYE	480	50/60	0-480	35	29.1	CW	4-4-4	3-3-3
		60	0-560	35	33.9	CW	2-2-2	3-3-3
	240	60	0-560	35-15 V.D.	14.5 ++	CW	5-5-5	3-3-3

UNLESS OTHERWISE SPECIFIED, TOLERANCE IS ± DECIMALS: .12 HOLES .005 ANGLES DRAFT 1-1/2° UNITS IN [mm]

MATERIAL: ALL DIMENSIONS APPLY AFTER PLATING

TITLE: SPEC. CONTROL DRAWING
 MOTORIZED VARIABLE XFMR.
 MVM6020E-3Y

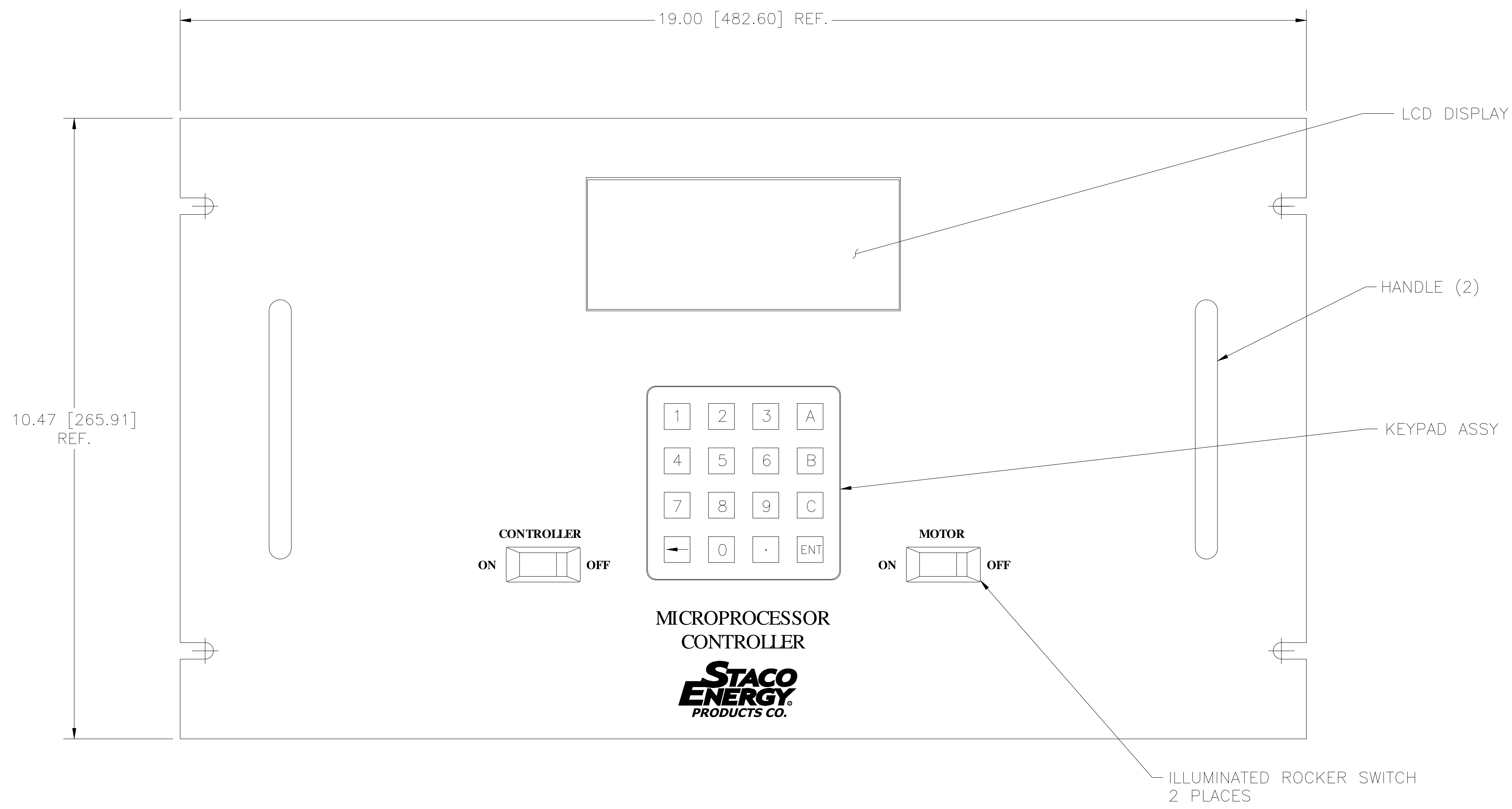
DRWN BY: TIM RAU DATE: 3/7/97 FIRST USED ON: DO NOT SCALE DWG.
 CHECKER: DATE: WEIGHT APPROX. CASE CODE 8300B
 ENGINEER: DATE: SCALE 1/4 SHEET 1 OF 2

The information and design disclosed herein was originated by and is the property of STACO ENERGY PRODUCTS CO., which reserves all patent, proprietary, design, manufacturing, reproduction, use and sole rights thereto, and to any article disclosed therein except to the extent rights are expressly granted to others. The foregoing does not apply to vendor proprietary parts.

STACO ENERGY PRODUCTS CO.
 A Components Corporation of America Company
 301 Gandhi Boulevard Dayton, Ohio 45403 USA

DWG. NO. 032-8292

DWG. NO.	032-8292		
REVISIONS			
SYM.	E.C.O.	DATE	APVD.
A	24158	1/19/00	SEE SHET #1
B	28126.30	8/18/16	SEE SHEET 1
C	28792.9	12/11/17	SEE SHEET 1



UNLESS OTHERWISE SPECIFIED, TOLERANCE IS ±		UNITS		TITLE:	
DECIMALS	Holes	ANGLES	DRAFT	SPEC. CONTROL DRAWING	
.XX	.03	1°	1-1/2°	MOTORIZED VARIABLE XFMR.	
.XXX	.005			MVM6020E-3Y	
MATERIAL:		ALL DIMENSIONS APPLY AFTER PLATING		DRAWN BY	
				TIM RAU	
The information and design disclosed herein was originated by and is the property of STACO ENERGY PRODUCTS CO., which reserves all patent, proprietary, design, manufacturing, reproduction, use and sole rights thereto, and to any article disclosed therein except to the extent rights are expressly granted to others. The foregoing does not apply to vendor proprietary parts.		DATE		FIRST USED ON	
		3/7/97			
CHECKER		DATE		WEIGHT APPROX.	
				83008	
ENGINEER		DATE		SCALE	
				1/1	
				SHEET 2 OF 2	
				DWG. NO.	
				032-8292	

