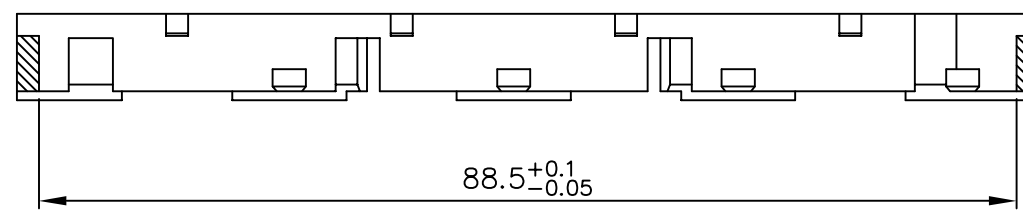
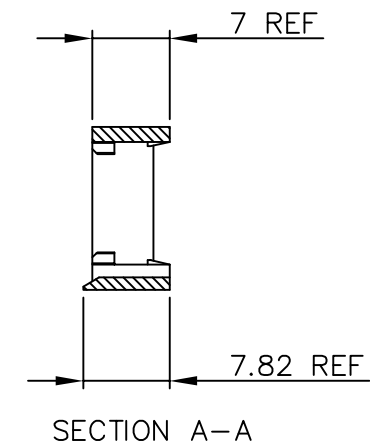
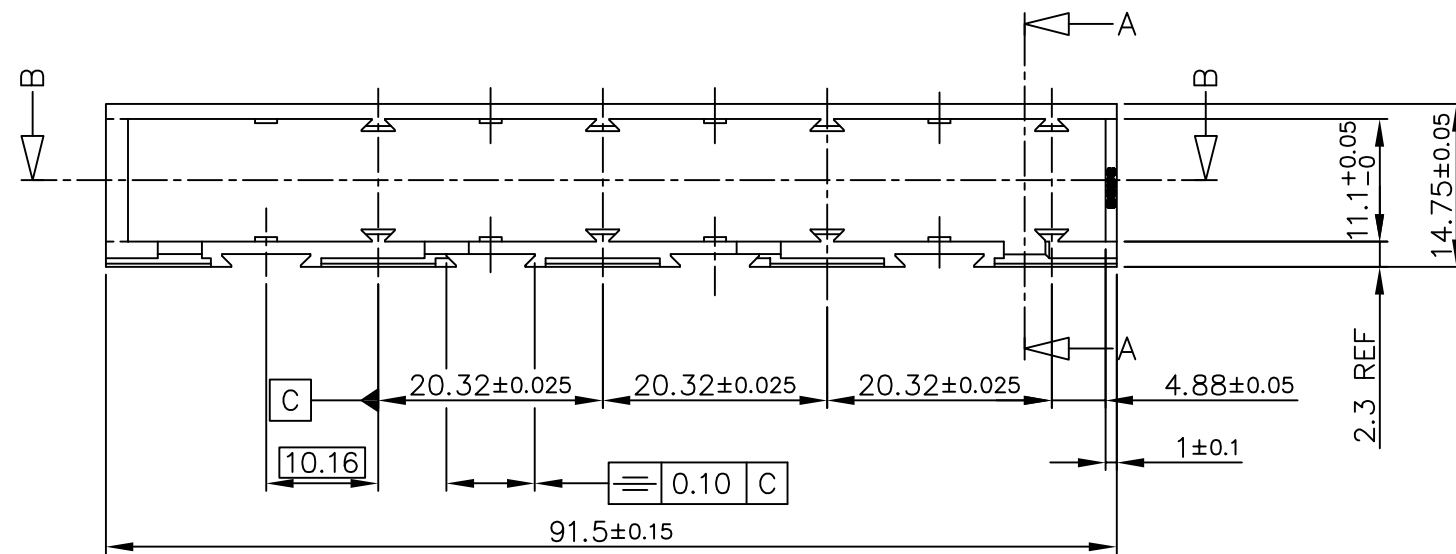
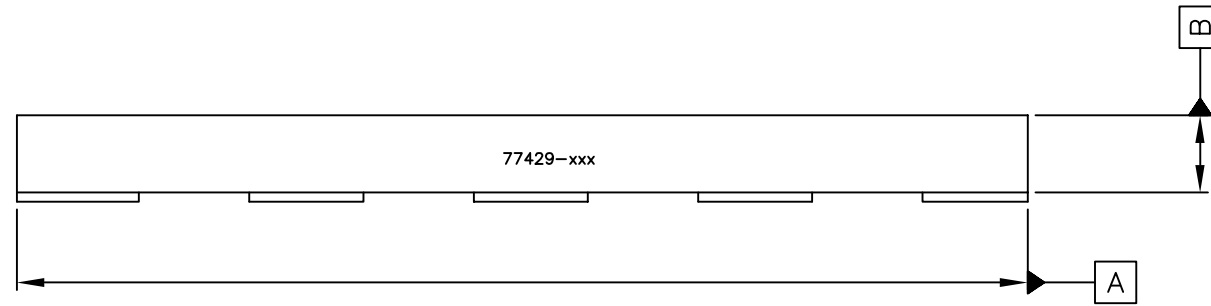


| PRODUCT NUMBER | COLOUR |
|----------------|----------------|
| 77429-001 | BLACK RAL 9005 |
| 77429-002 | GREY RAL 7035 |



NOTE:

1. MATERIAL : MODIFIED POLYPHENYLENE OXIDE; FLAMMABILITY PER UL-94-V1
2. THIS PRODUCT MEETS EUROPEAN UNION DIRECTIVES AND OTHER COUNTRY REGULATIONS AS DESCRIBED IN GS-22-008.
3. LEADFREE OR RoHS DIRECTIVE LABELLING TO BE PROVIDED AS PER GS-14-920.
4. "LF" SUFFIX TO THE PRODUCT NUMBER FOR RoHS COMPATIBLE/LEADFREE VERSION.
5. PARTS WITH AND WITHOUT "LF" SUFFIX ARE FORM-FIT AND FUNCTIONALLY IDENTICAL. "LF" SUFFIX PROVIDED FOR PART NUMBER STANDARDISATION OF PART THAT MEETS RoHS REQUIREMENTS.

| | | | | | | | | | |
|-------------|----------------|----------|------------|---------------------------------------|---------------|------------|-----|-------------------------------------|------|
| mat'l. code | | surface | | tolerance | | projection | | product family | |
| SEE NOTE 1 | | ISO 1302 | | ISO 406 ISO 1101 | | mm | | BACKPANEL | |
| ltr | ecn no | dr | date | tolerances unless otherwise specified | | mm | | title | |
| A | H80467 | LGI | 1998-07-23 | angles | linear | scale 1:1 | | REVERSE LOCKING FRAME TRIPLE ROW | |
| B | F00406 | LLA | 2000-05-22 | | | | | dwg no | |
| C | I06-0082 | MINI | 2006-06-01 | | | | | sheet 1 of 1 | |
| D | I07-0021 | KR | 2007-02-09 | dr | D.LEGRAND | 2000-10-10 | FCJ | | size |
| | | | | enr | J.F.NOTTEAU | 2000-10-10 | | | A3 |
| | | | | chr | RAKHEE GEORGE | 2007-02-09 | | | |
| | | | | appd | RAKHEE GEORGE | 2007-02-09 | | | |
| sheet index | revision sheet | D | 1 | | | | | type Product Customer Drawing | |