


# SACB-8/16-L-C GG

Order No.: 1698194

<http://eshop.phoenixcontact.de/phoenix/treeViewClick.do?UID=1698194>

Sensor/actuator box header, M12 female connector, Number of slots:  
8, Number of positions: 5, Slot assignment: Double, Status indication:  
Yes, pnp, Shielding: No

Commercial data	
GTIN (EAN)	 4 017918 607395
sales group	D100
Pack	1 pcs.
Customs tariff	85366990
Catalog page information	Page 115 (PC-2009)

**Product notes**

WEEE/RoHS-compliant since:  
12/01/2005



<http://www.download.phoenixcontact.com>  
Please note that the data given here has been taken from the online catalog. For comprehensive information and data, please refer to the user documentation. The General Terms and Conditions of Use apply to Internet downloads.

Technical data	
<b>General data</b>	
Rated voltage	24 V DC
Max. operating voltage $U_{max}$	30 V DC
Current carrying capacity per I/O signal	2 A
Current carrying capacity per slot	4 A

Total rated current	10 A
	2x 8 A (For electrical isolation)
Number of positions	5
Number of slots	8
Degree of protection	IP65/IP67
Inflammability class acc. to UL 94	V0
Ambient temperature (operation)	-25 °C ... 75 °C
Sensor/actuator connection system	M12 female connector
<b>Local diagnostics function</b>	
Local diagnostics	Supply voltage per module Green LED
	Status display I/O Yellow LED
<b>Master cable data</b>	
Type of connection	Pluggable screw connection
Tightening torque slot sensor/actuator cable	0.4 Nm
Tightening torque screw plug	0.4 Nm
<b>Insulation material</b>	
Housing material	PA
Contact material	CuSn
Contact surface material	Ni/Au
Contact carrier material	PA
Material of contact, master cable side	CU alloy
Material of contact surface, master cable side	Sn
Material of the contact carrier on the master cable side	PA 66 V0
Material, O-ring	NBR
<b>Pin assignment</b>	
Slot/position = Wire color or connection	1 / 4 (A) = 1 / 4

	1 / 2 (B) = 1 / 2
	2 / 4 (A) = 2 / 4
	2 / 2 (B) = 2 / 2
	3 / 4 (A) = 3 / 4
	3 / 2 (B) = 3 / 2
	4 / 4 (A) = 4 / 4
	4 / 2 (B) = 4 / 2
	5 / 4 (A) = 5 / 4
	5 / 2 (B) = 5 / 2
	6 / 4 (A) = 6 / 4
	6 / 2 (B) = 6 / 2
	7 / 4 (A) = 7 / 4
	7 / 2 (B) = 7 / 2
	8 / 4 (A) = 8 / 4
	8 / 2 (B) = 8 / 2
	1-8 / 1 (+ 24 V) = U <sub>N</sub>
	1-8 / 3 (0 V) = 0 V
	1-8 / 5 (PE) = PE

**Certificates / Approvals**



Certification

CUL, GOST, UL

**Accessories**

Item	Designation	Description
<b>Marking</b>		
2809128	ZBN 18:UNBEDRUCKT	Unprinted marker labels, strips with 5 labels for individual labeling with M-PEN or CMS system, for terminal block width: 17.5 mm, color: White
<b>Protection and sealing elements</b>		
1680539	PROT-M12	An M12 screw plug for the unoccupied M12 sockets of the sensor/ actuator cable, boxes and flush-type connectors

### Tools

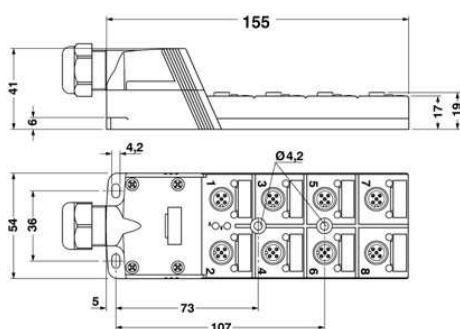
1208432	SAC BIT M12-D15	Nut for assembling sensor/actuator cables with M12 connector and for M12 connectors with QUICKON fast connection technology, for 4 mm hexagonal drive
1208445	SACC BIT M12-D20	Nut for assembling SACC M12 connectors for free assembly, excluding M12 connectors with QUICKON fast connection technology, for 4 mm hexagonal drive
1206463	SZK PZ2 VDE	Screwdriver, PZ crosshead, VDE insulated, size: PZ 2 x 100 mm, 2-component grip, with non-slip grip
1208429	TSD 04 SAC	Torque screwdriver, with preset torque of 0.4 Nm and 4 mm hexagonal drive for M12 connectors

### Additional products

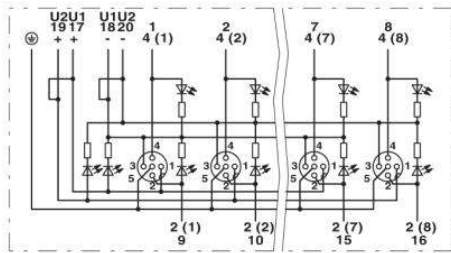
Item	Designation	Description
<b>Connector hood</b>		
1698204	SACB-C-H180 8-16 PUR/	Connector hood, M12 female connector, Number of slots: 8, Slot assignment: Double, Status indication: No 180°, PUR/PVC, Cable length: 0.5 m ... 50 m, Shielding: No
1695977	SACB-C-H180 8/16	Connector hood, Status indication: No 180°, Shielding: No
1503111	SACB-C-H180-8/16- 5,0PUR	Sensor/actuator connector hood, with a master cable, marking label, for an SAC box with eight double-occupied slots
1503124	SACB-C-H180-8/16-10,0PUR	Sensor/actuator connector hood, with a master cable, marking label, for an SAC box with eight double-occupied slots

### Diagrams/Drawings

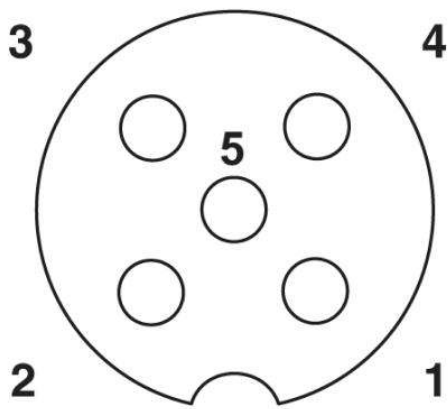
#### Dimensioned drawing



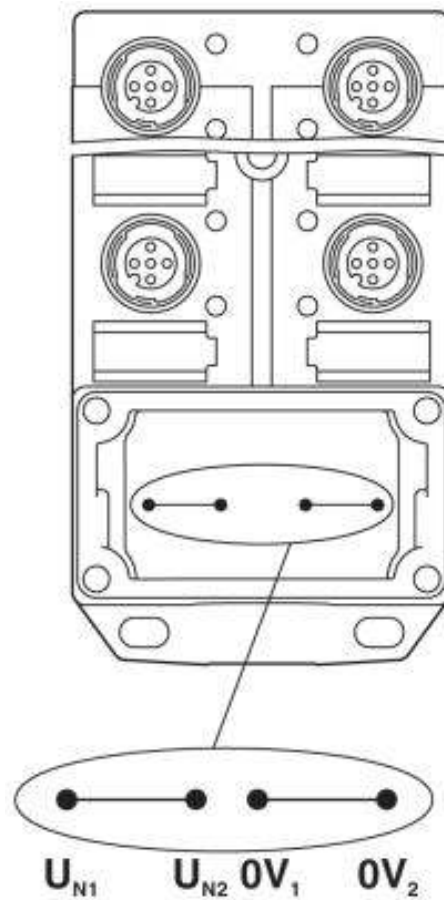
Circuit diagram



Schematic diagram

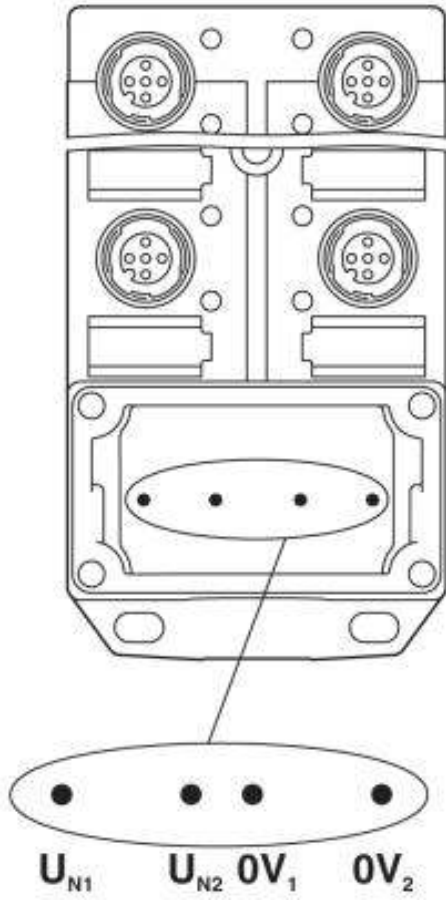


M12 slot, socket, 5-pos.



Potential  $U_{N1}$  and  $U_{N2}$  bridged

Electrically isolated



**Address**

PHOENIX CONTACT Inc., USA  
586 Fulling Mill Road  
Middletown, PA 17057, USA  
Phone (800) 888-7388  
Fax (717) 944-1625  
<http://www.phoenixcon.com>



© 2010 Phoenix Contact  
Technical modifications reserved;