

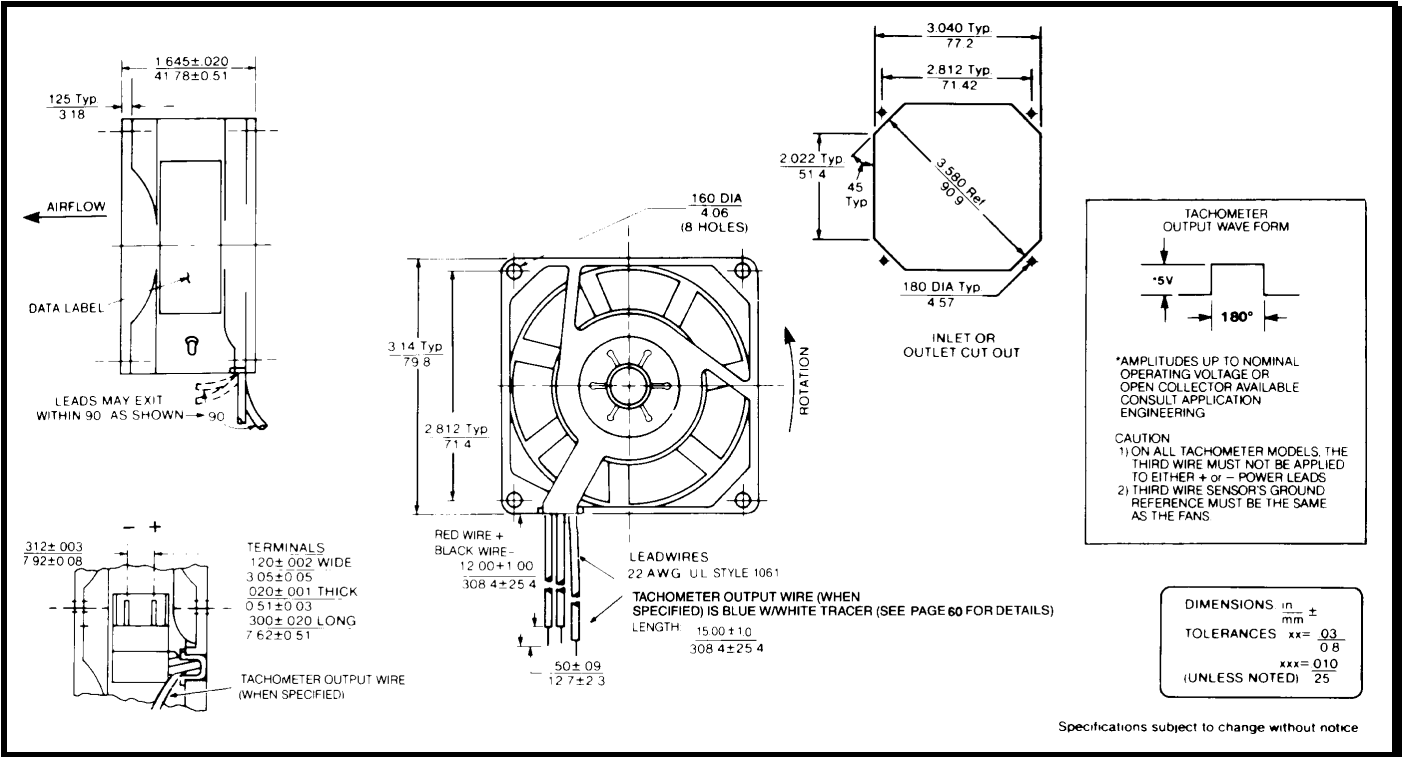
SPECIFICATIONS



Model Number: SD24K5
Part Number: 19031706A

Version: 02
Nov 25, 2022

Mechanical Drawing:



Motor:

Nominal Voltage	= 24 vdc
Operating Voltage Range	= 12 – 28 vdc
Nominal Running Current	= 0.220 amps
Locked Rotor Current	= 0.70 amps
Running Power	= 5.2 watts
Average Speed	= 4200
Bearings	= Ball
Air Flow	= 43 CFM
Acoustic	= 52.1 dBA

Construction:

Venturi: Single Piece Die-Cast Zinc Alloy, Black
 Propeller: Plastic, Black, UL 94V-0

Agency Approvals:

UL, CUL, CE

Life Expectancy:

This fan is designed for continuous duty life of 52,000 hours at 70°C.

Additional Features:

Brushless DC Motor
 Locked Rotor Protection
 Polarity protected
 Automatic Restart Capability
 Operating Temperature: -10°C to 70°C
 Storage Temperature: -40°C to 85°C

Tachometer:

Isolated: No
 Output: 5 Vdc TTL Compatible
 I_c: 10 mA Typical
 Pulses per Revolution: 1

Termination:

12" Lead wires, AWG 22, UL 1061
 Red = Power (+)
 Black = Return (-)
 Blue/White = Tachometer Output

PQ Curve:

