

6

5

4

3

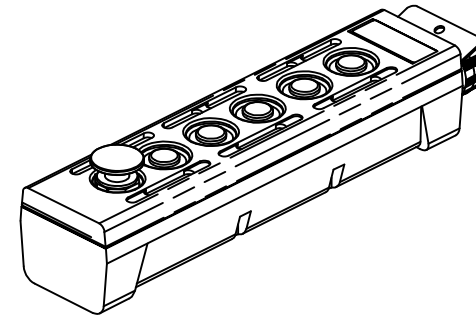
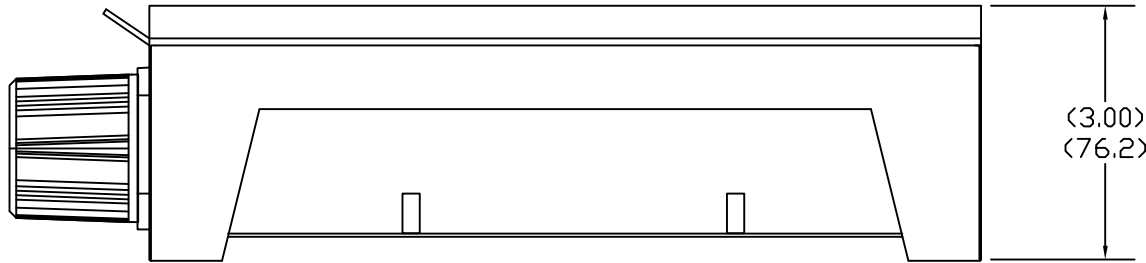
2

1

E

E

SIDE VIEW



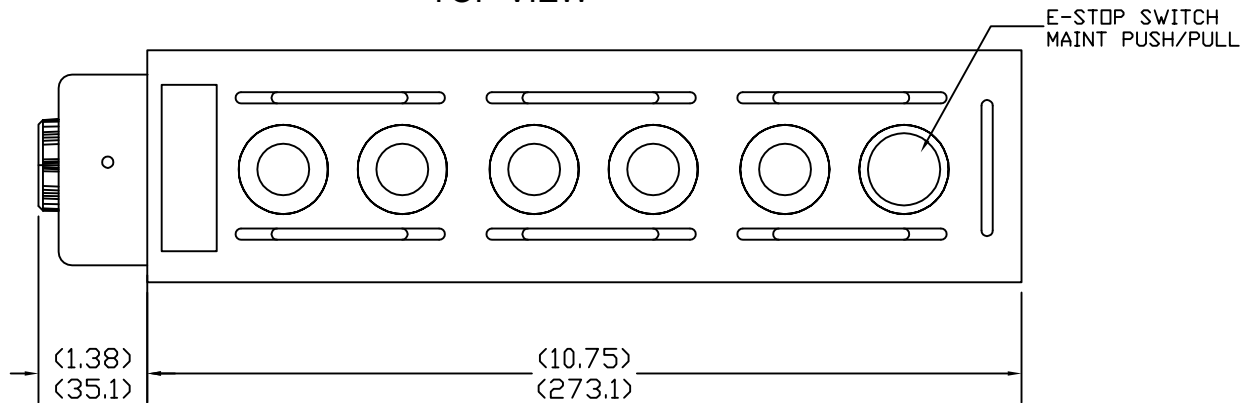
D

D

C

C

TOP VIEW



B

B

A

A

ENGINEERING NO.	MATERIAL NO.
4024ES	1301260214

CUSTOMER DRAWING
 EC NO: WNA2009-0495
 DRWN: TVICKERS 2/5/09
 CHKD: KA 2008/27/6
 APPR: DTITUS 2009/09/21

QUALITY SYMBOLS
▽=0
▽C=0
DESCRIPTION
REV
A

GENERAL TOLERANCES (UNLESS SPECIFIED)	
	mm INCH
4 PLACES	±.005 ±.002
3 PLACES	±.010 ±.005
2 PLACES	±.015 ±.010
1 PLACE	±.020 ±.020
ANGULAR ±.5°	
DRAFT WHERE APPLICABLE MUST REMAIN WITHIN DIMENSIONS	

DIMENSION STYLE IN/MM	
DRAWN BY	DATE
TV	2009/05/09
CHECKED BY	DATE
HK	2009/05/09
APPROVED BY	DATE
DTITUS	2009/09/18
MATERIAL NO.	1301260214
SIZE	A

SCALE NTS	DESIGN UNITS INCH	THIRD ANGLE PROJECTION
TITLE 4-BUTTON STATION W/E-STOP		
MOLEX INCORPORATED		
DOCUMENT NO.	SD-130126-024	SHEET NO. 1 OF 1
THIS DRAWING CONTAINS INFORMATION THAT IS PROPRIETARY TO MOLEX INCORPORATED AND SHOULD NOT BE USED WITHOUT WRITTEN PERMISSION		

6

5

4

3

2

1