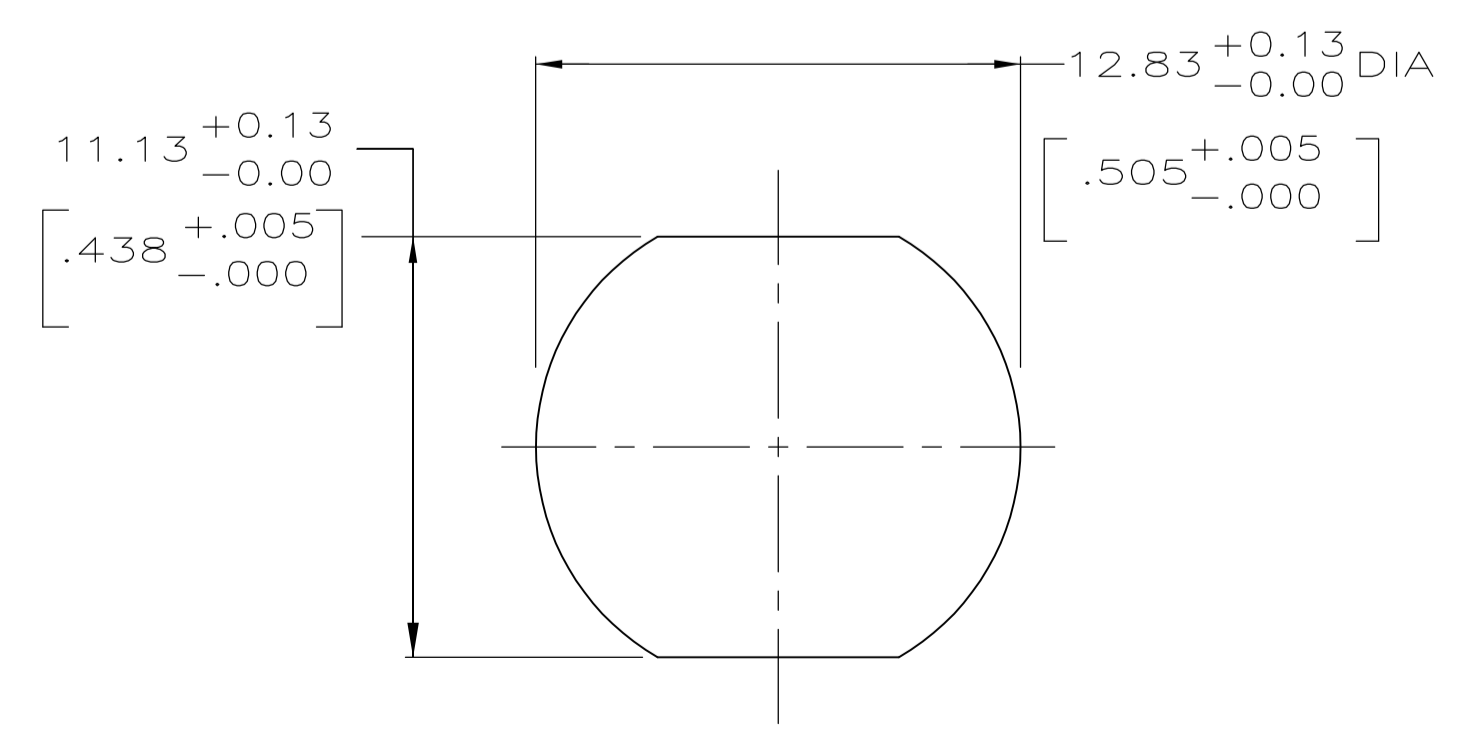
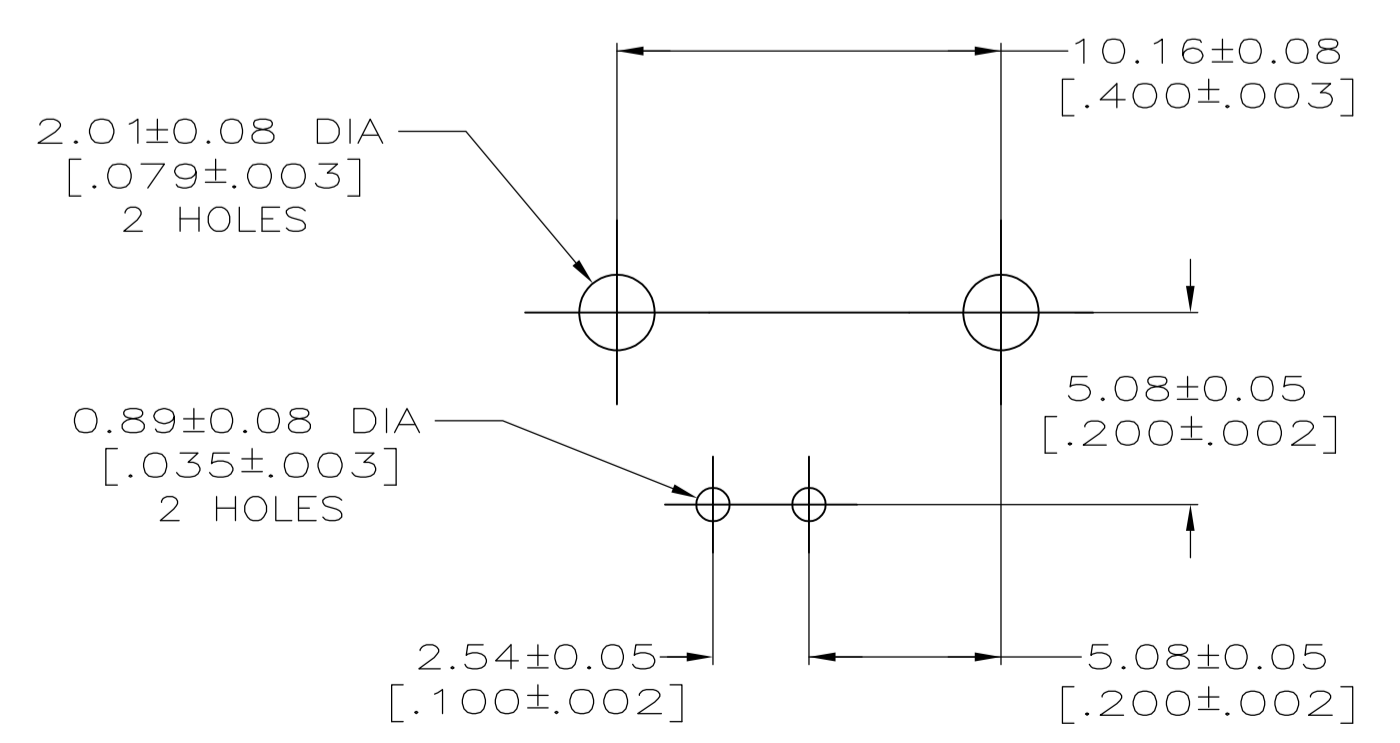
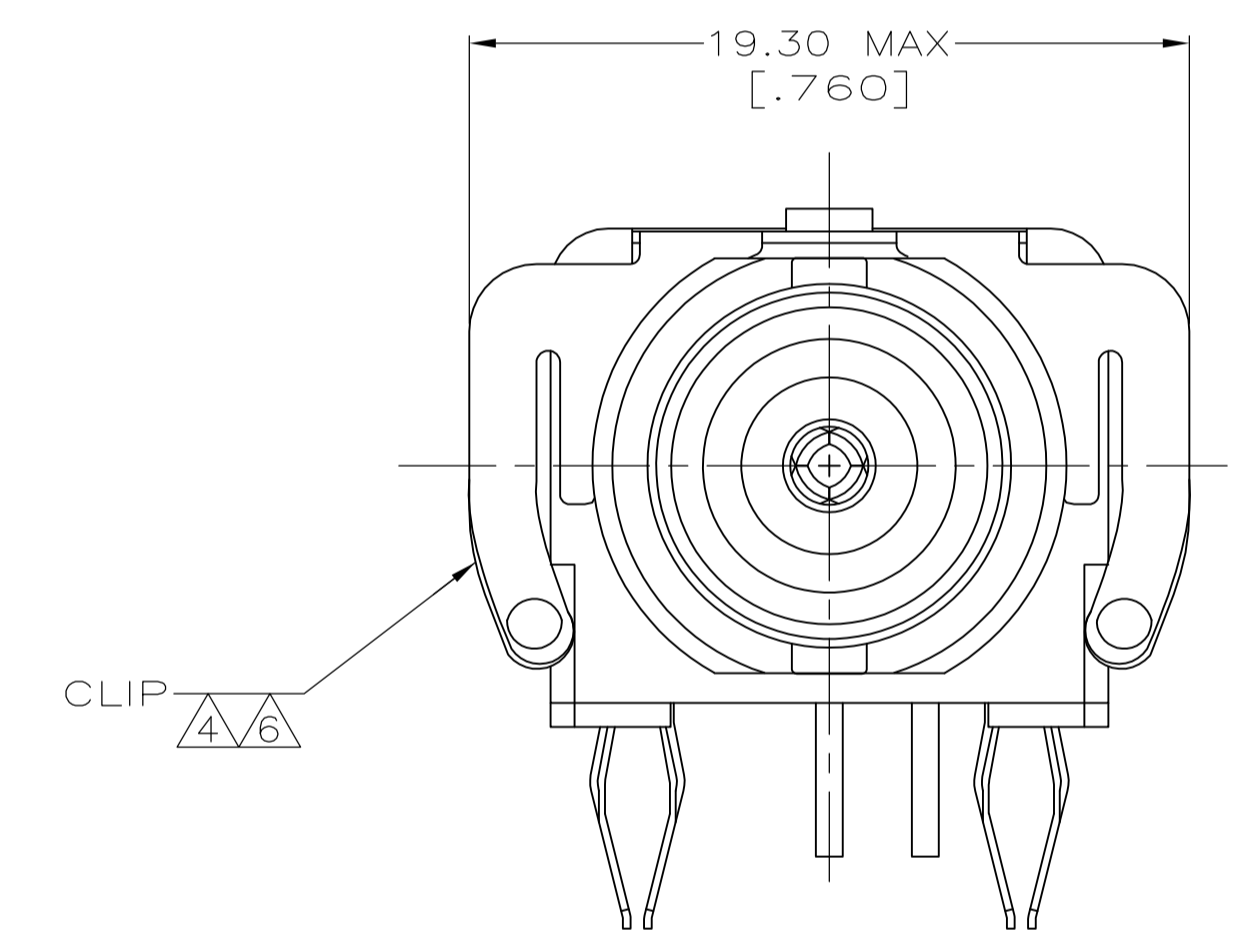
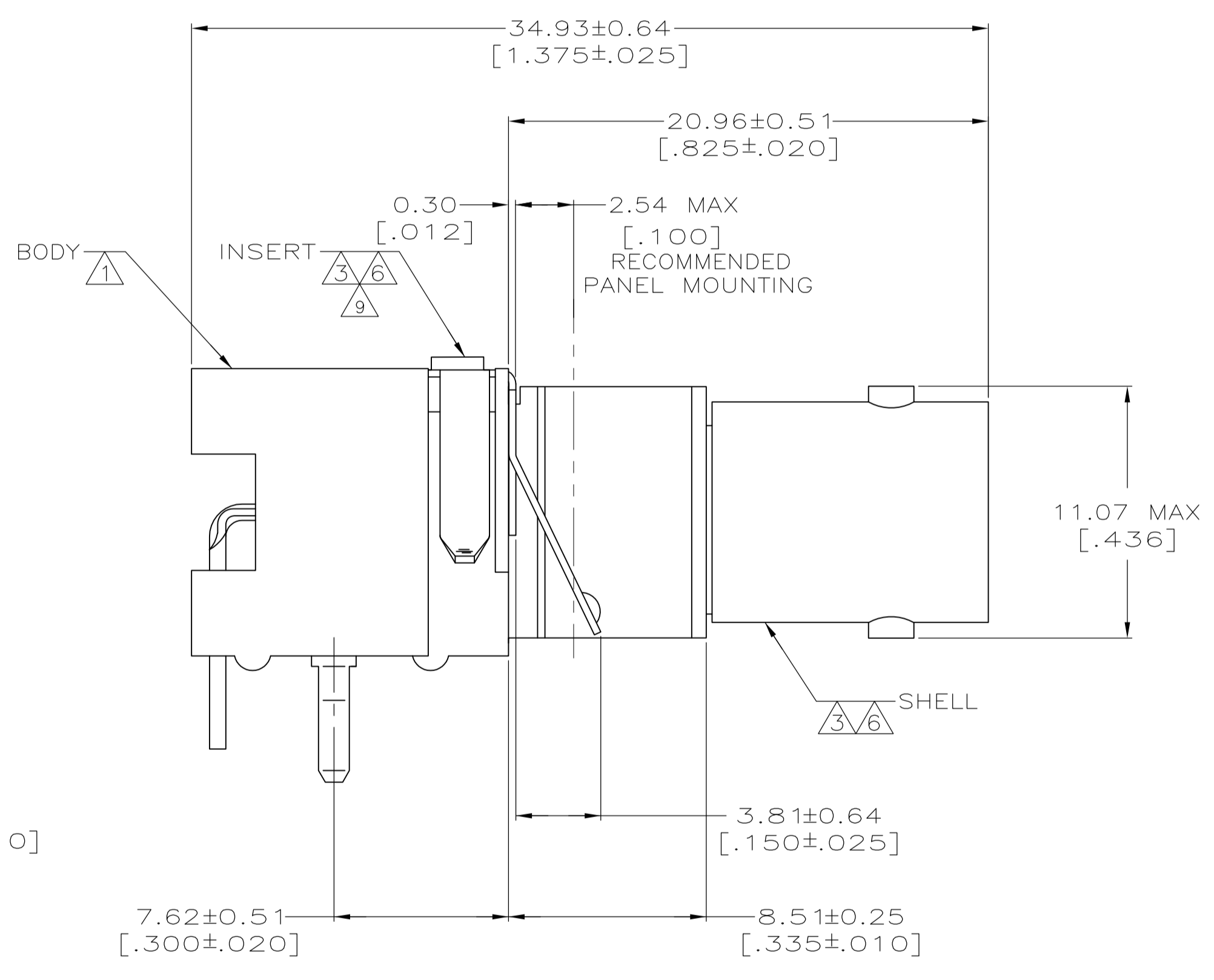
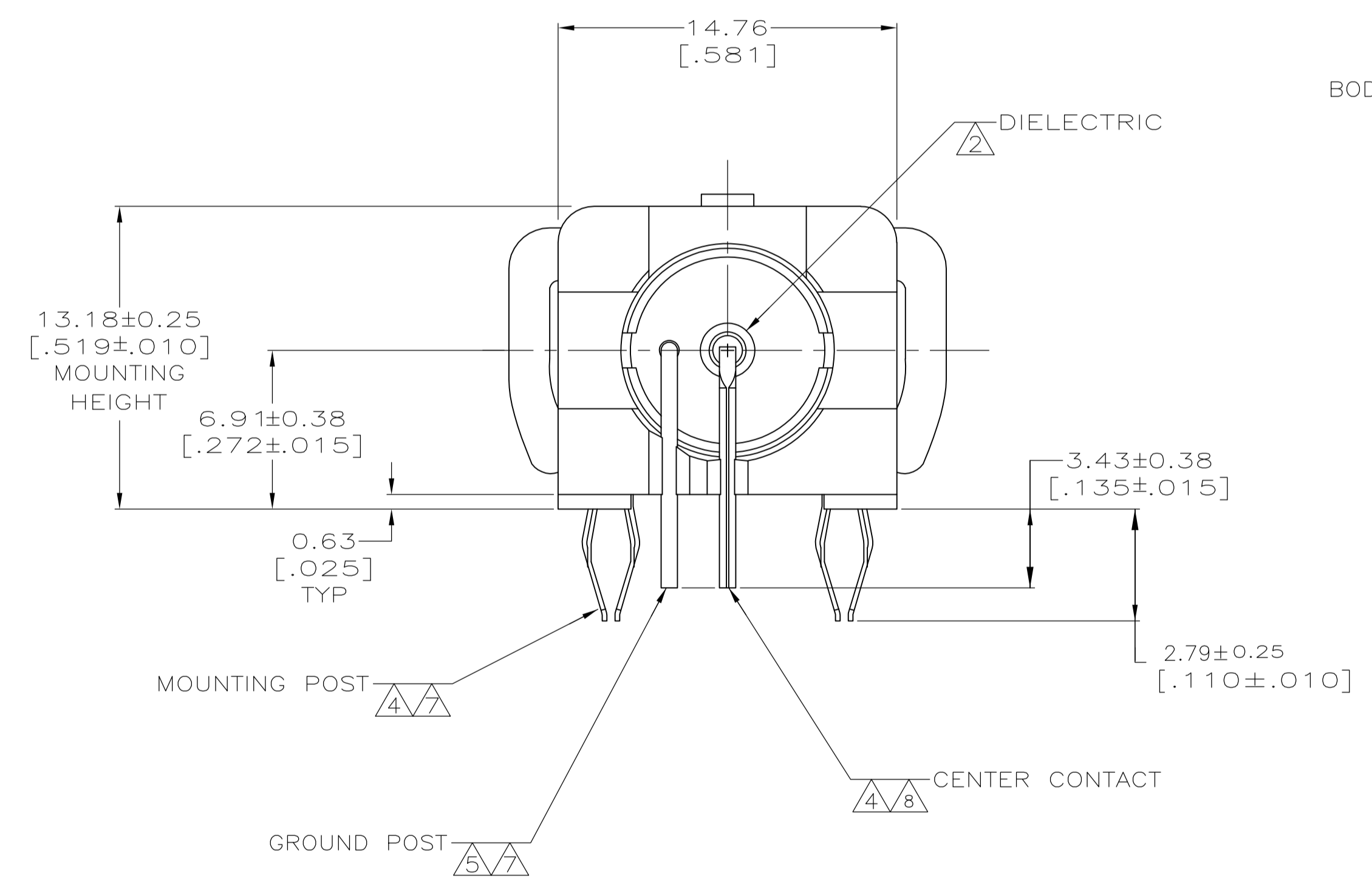
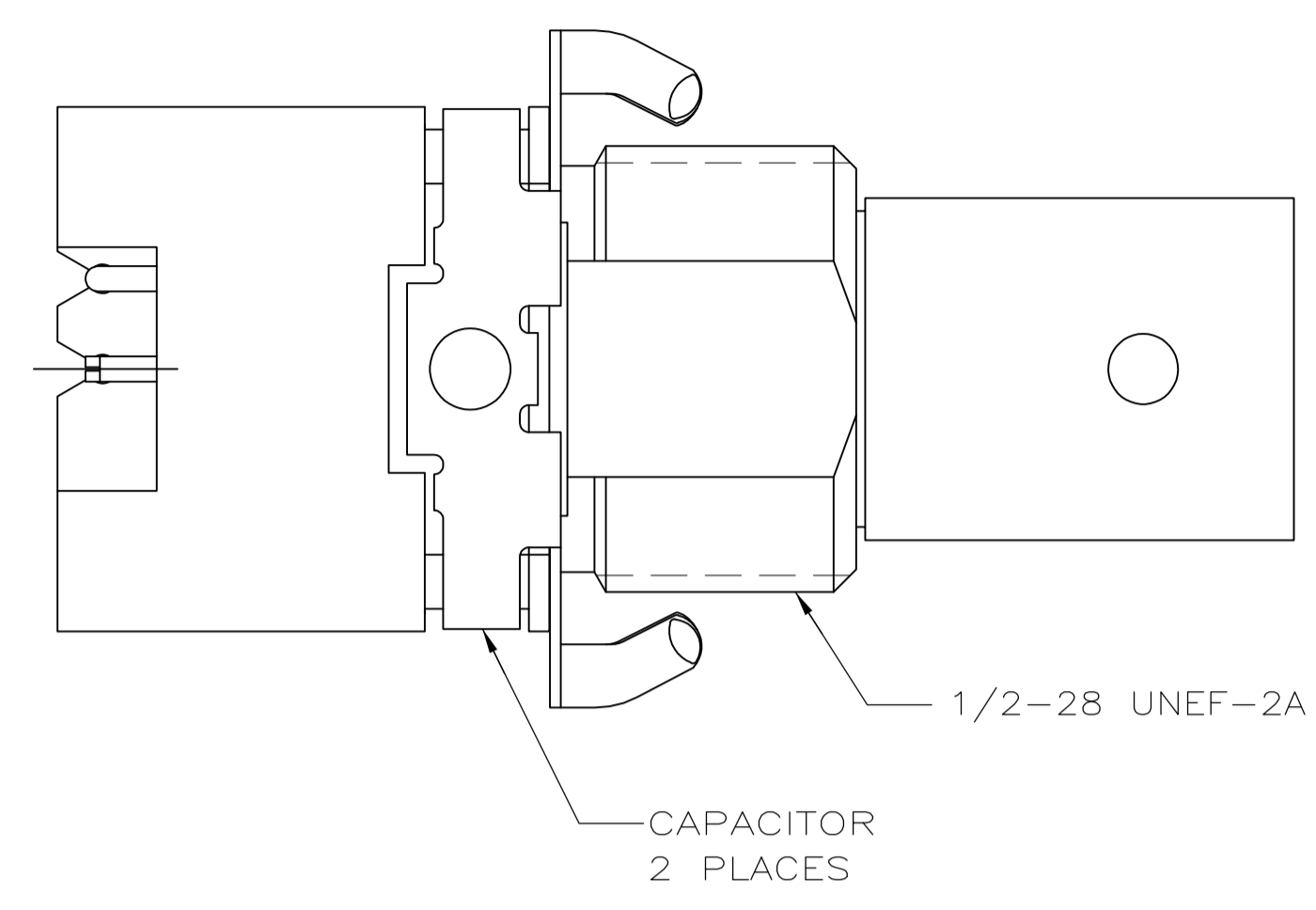


- ① POLYESTER, PBT, BLACK, PER MIL-M-24519.
- ② POLYMETHYLPENTENE GENERAL PURPOSE.
- ③ ZINC PER QQ-Z-363.
- ④ PHOSPHOR BRONZE PER QQ-B-750.
- ⑤ BRASS PER ASTM-B-453.
- ⑥ NICKEL PL PER QQ-N-290.
- ⑦ TIN PLATE PER ASTM-B-545
- ⑧ SELECTIVELY GOLD PLATED ON INTERFACE AREA PER MIL-G-45204, 0.76 [.000030] THK, TIN PLATE ON SOLDER TAIL PER ASTM-B-545, ALL OVER NICKEL PL PER QQ-N-290.
- ⑨ ESD DEVICE, VOLTAGE BREAKDOWN <3.5KVDC.



7900 pf, 1500 VDC	5414651-3
CAPACITANCE & VOLTAGE	PART NUMBER

THIS DRAWING IS A CONTROLLED DOCUMENT.		DIN B. MCMASTER	D9MAY05	Tyco Electronics Corporation Harrisburg, Pa 17105-3608
DIMENSIONS: INCHES		CIK J. LIPPERT	D9MAY05	
TOLERANCES UNLESS OTHERWISE SPECIFIED:		APVD J. LIPPERT	D9MAY05	NAME
0 PLC ± -		PRODUCT SPEC		JACK, DECOUPLER, PCB
1 PLC ± -		APPLICATION SPEC		RIGHT ANGLE, LOW PROFILE,
2 PLC ± 0.20 [.008]		RESTRICTED TO		ESD PROTECTED, BNC
3 PLC ± -		SIZE	CAGE CODE	DRAWING NO
4 PLC ± -		WEIGHT	A1 00779	5414651
ANGLES ± -		RESTRICTED CUSTOMER	SCALE	SHEET
MATERIAL SEE NOTES 1 - 5	FINISH SEE NOTES 6-8		5:1	1 OF 1