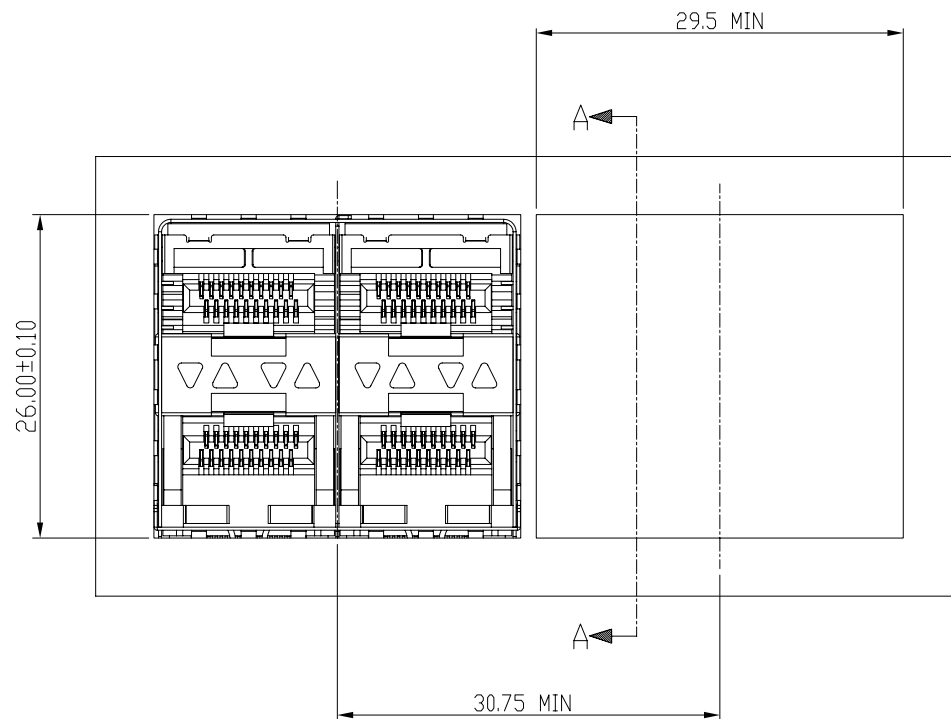


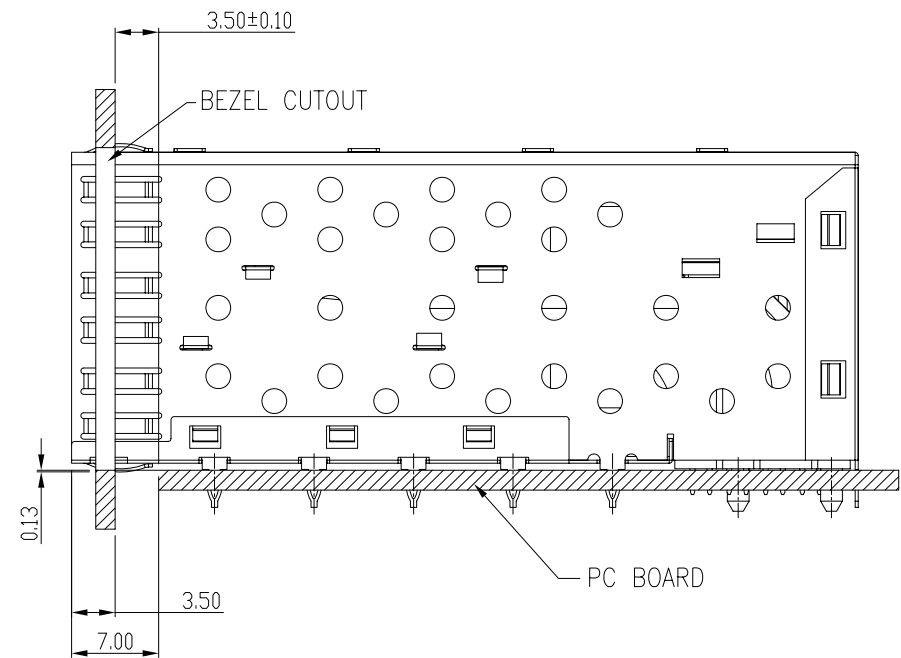
Qty Per:	TRAY	CARTON		
	12	72		
PART NUMBER	STATEMENT			
SFP004-L	INNER/OUTER LIGHT PIPES			
No.	DESCRIPTION	Q'ty	MATERIAL	PLATING
01	SFP CAGE (Non-Logo)	1	COPPER ALLOY	NICKEL
02	CONNECTOR	2	HIGH TEMP/COPPER ALLOY	GOLD
03	LIGHT PIPES	2	POLYCARBONITE	

DETACHED LISTS	MM (INCH)	RoHS Compliant		
	TOLERANCES EXCEPT AS NOTED	TITLE SFP 2 BY 2 CAGE+CONNECTOR_P		
	MM		W/LIGHT PIPES	
	.0 ± 0.25	±	DFTD Jack	DRAWING NO. CSFP004-L
	.00 ± 0.2	±	DATE 11/20/08'	/PART NO. SFP004-L
	.000 ± 0.10	±	SCALE : 2:1	DO NOT SCALE DRAWING
	ANGLES ± 0.5		SHEET 1 OF 4	
		THIRD ANGLE PROJECTION	SIZE A3	REV 1

8 | 7 | 6 | 5 | 4 | 3 | 2 | 1



BEZEL CUT-OUT CENTER SPACING DETAIL
BEZEL THICKNESS:0.8-2.6



SECTION A-A

MM (INCH)		RoHS Compliant			
TOLERANCES EXCEPT AS NOTED					
MM		INCH			
.0 ± 0.25	±				
.00 ± 0.2	±				
.000 ± 0.10	±				
ANGLES ± 0.5					
		THIRD ANGLE PROJECTION			
DETACHED LISTS		TITLE SFP 2 BY 2 CAGE+CONNECTOR_P		W/LIGHT PIPES	
DFTD Jack DATE 11/20/08'		DRAWING NO. CSFP004-L /PART NO. SFP004-L		SIZE A3	REV 1
SCALE : 2:1		DO NOT SCALE DRAWING		SHEET 2	OF 4

8

7

6

5

4

3

2

1

A

B

C

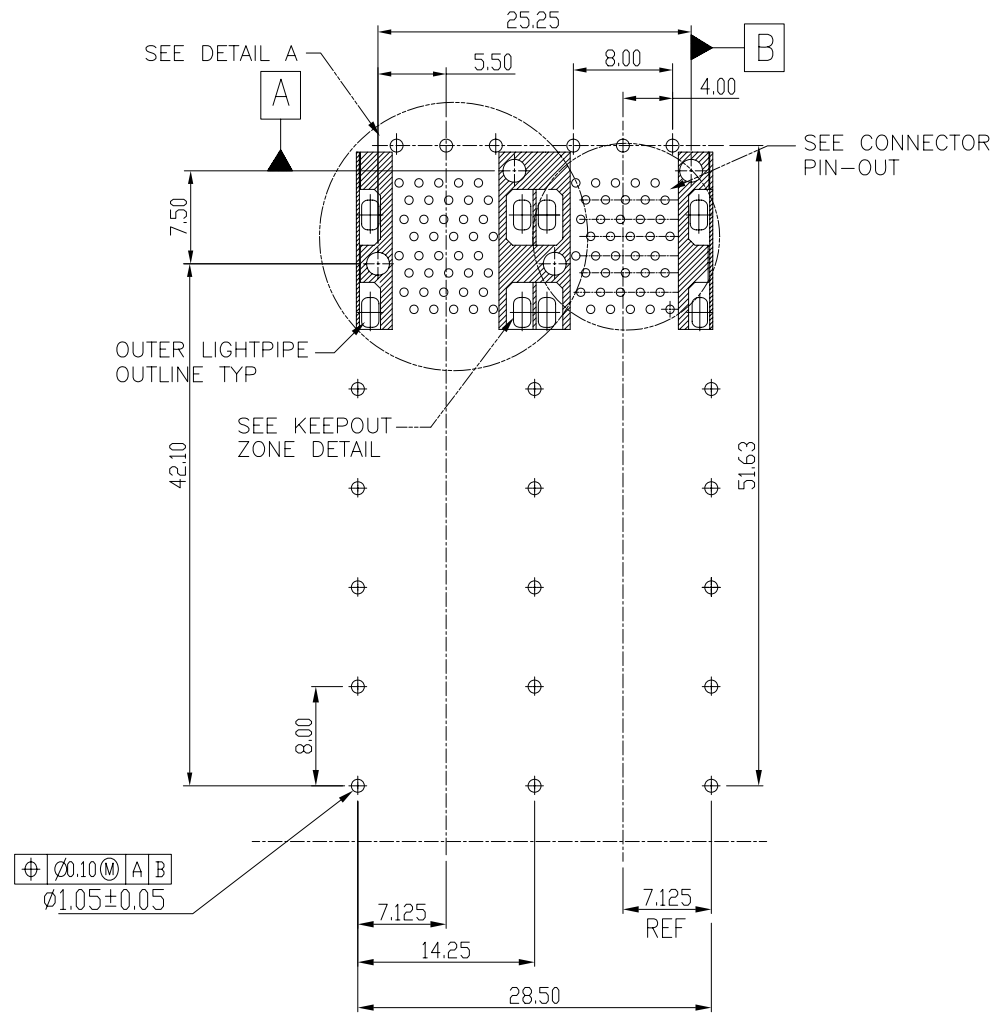
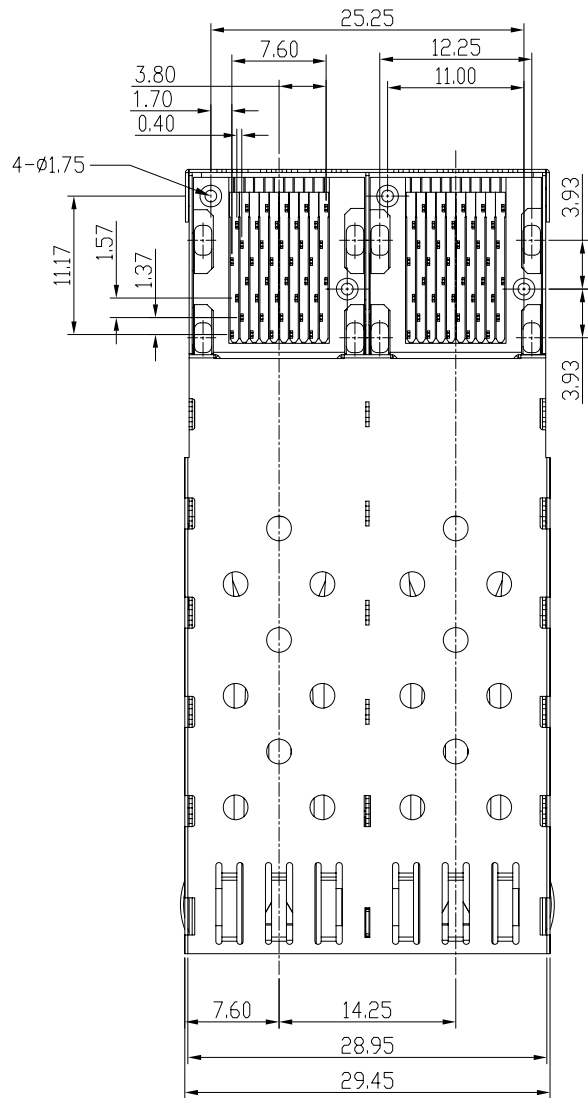
D

E

F

G

H



MM (INCH)		RoHS Compliant			
TOLERANCES EXCEPT AS NOTED		TITLE SFP 2 BY 2 CAGE+CONNECTOR_P W/LIGHT PIPES			
MM .0 ± 0.25 .00 ± 0.2 .000 ± 0.10	± ± ±	DRAWING NO. CSFP004-L /PART NO. SFP004-L		SIZE A3	REV 1
ANGLES ± 0.5		DFTD Jack DATE 11/20/08		DO NOT SCALE DRAWING SHEET 3 OF 4	
THIRD ANGLE PROJECTION		SCALE : 2:1			

